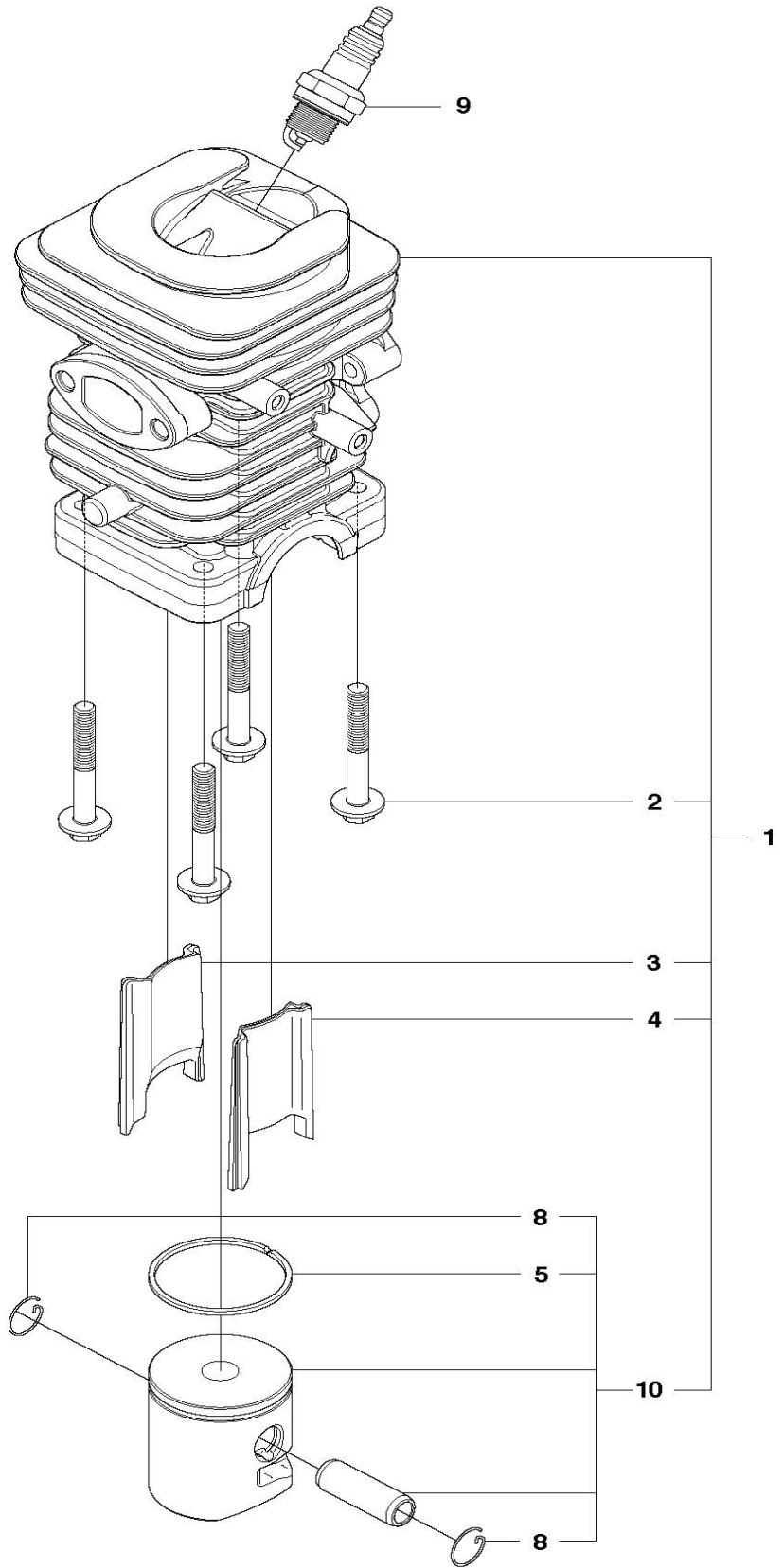


**RESERVDELSKATALOG**  
**: HUSQVARNA 120 MARK II**

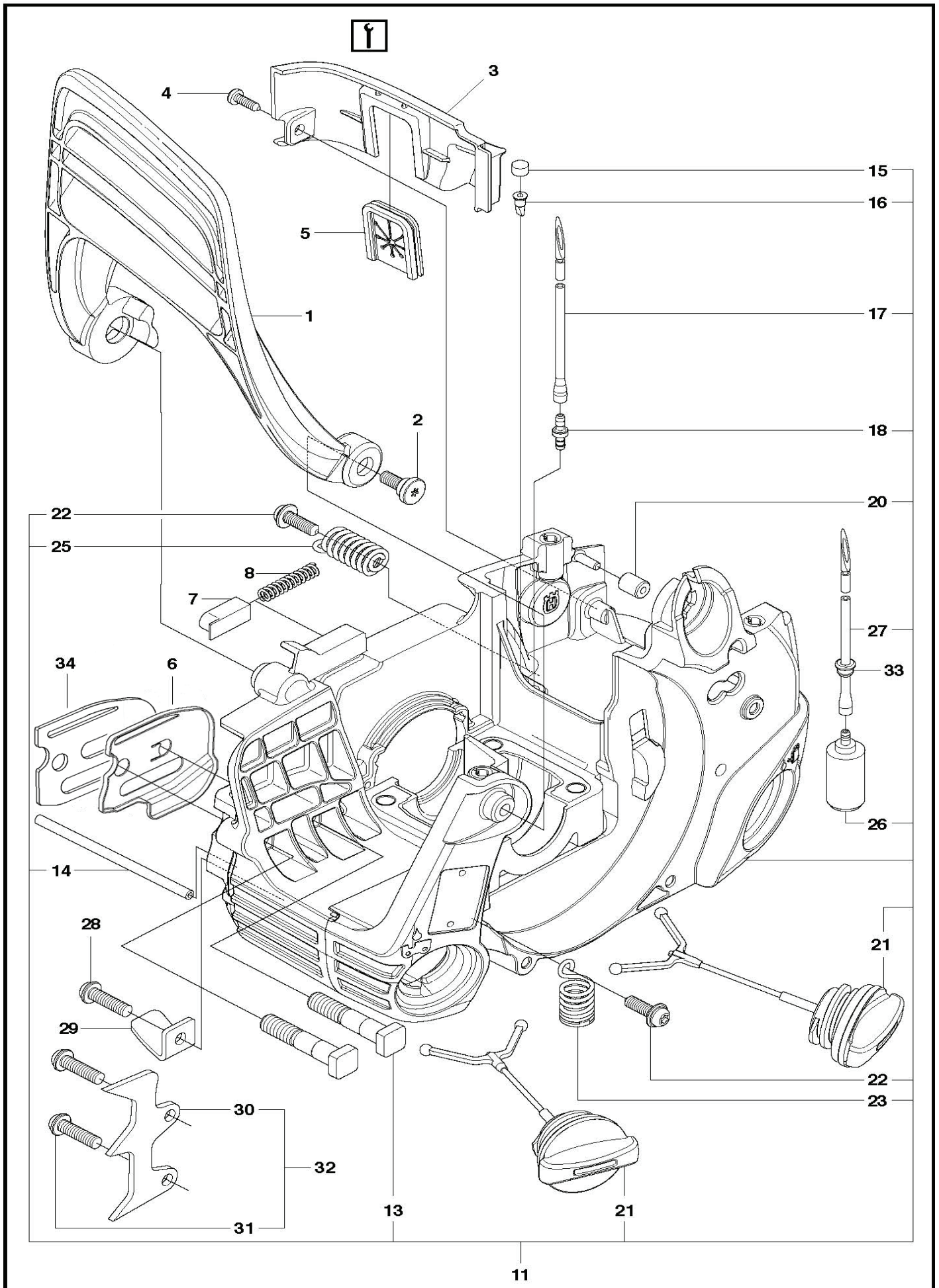
Reservdelslista

---

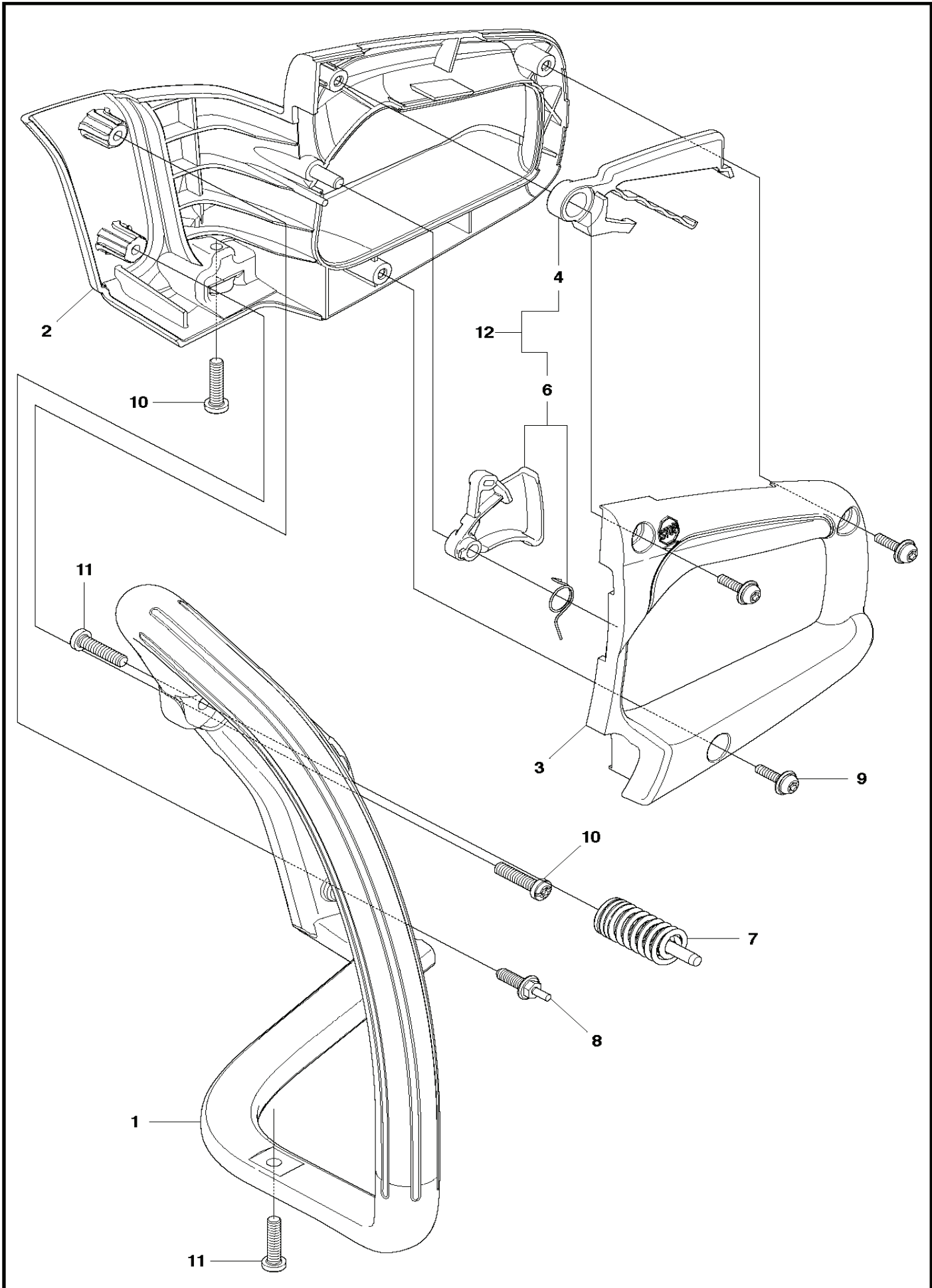
# **RESERVDELSLISTA**



REF.	ART. NR	ARTIKELBESKRIVNING	ANMÄRKNING	KIT
1	577831102	SATS	For all EXCEPT For 967861912, 967861934, 967861936. KIT PISTON AND CYLINDER HARDMOUNT BEARING.	1
1	577831101	SATS	For 967861912, 967861934, 967861936	1
2	545081501	BULT	BOLT CYLINDER	4
3	574190901	INSATS	INSERT LEFT 38CC CYLINDER	1
4	574190801	INSATS	INSERT RIGHT 38CC CYLINDER	1
5	585040601	KOLVRING	For all EXCEPT For 967861912, 967861934, 967861936. PISTON RING 38CC PISTON RING.	1
5	530012608	KOLVRING	For 967861912, 967861934, 967861936	1
8	530015697	LOCKING RING	LOCKING RING	2
9	503235108	TÄNDSTIFT	SPARK PLUG M14X1.25 RCJ7Y	1
10	545081894	SATS	For 967861912, 967861934, 967861936	1
10	577831302	SATS	For all EXCEPT For 967861912, 967861934, 967861936. KIT PISTON HARDMOUNT BEARING.	1

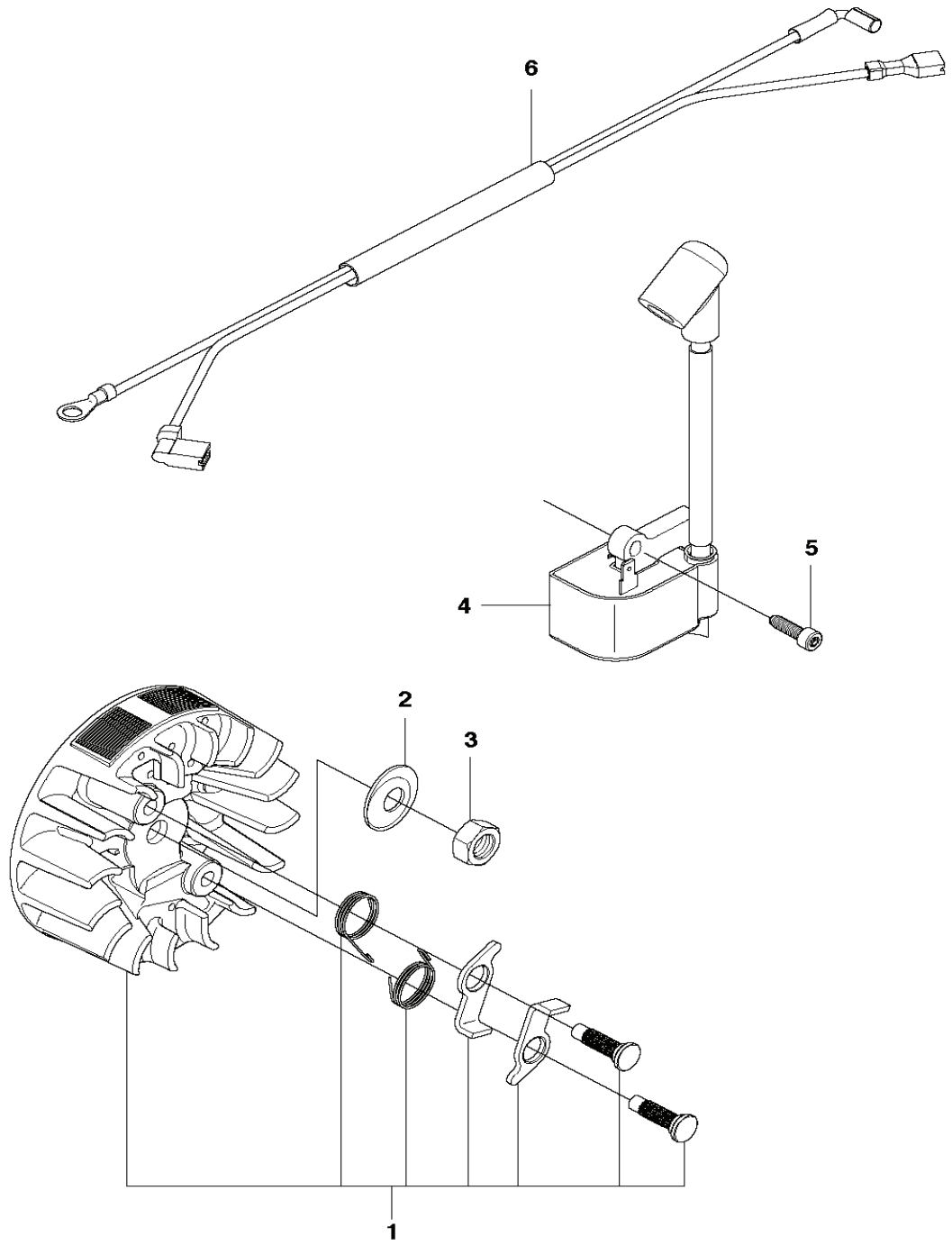


REF.	ART. NR	ARTIKELBESKRIVNING	ANMÄRKNING	KIT
1	577611901	KASTSKYDD	HAND GUARD ASSY HHS	1
2	545127301	BOSS	BOSS SCREW HANDGUARD	1
3	545061201	BAKHJUL	REAR WHEEL	1
4	545227101	SCREW	SCREW	1
5	545075401	GENOMFÖRING	GROMMET REAR WALL	1
6	545071401	SVÄRD	BAR PLATE MOUNTING	1
7	545071301	CAP. SPRING HANDGUARD	CAP. SPRING HANDGUARD	1
8	545071201	SPRING. HANDGUARD POSITION	SPRING. HANDGUARD POSITION	1
11	587026801	CHASSI	For all EXCEPT For 967861912, 967861934, 967861936. CHASSIS ASSEMBLY MACH. BEARING.	1
13	529310301	BULT	BOLT M8 X 1.25	2
14	545033501	SLANG	HOSE	1
15	530029868	PLUGG	PLUG	1
16	530026119	VENTIL	CHECK VALVE DUCKBILL	1
17	580727101	BRÄNSLESLANG	FUEL HOSE KIT LP100 5.3 O.D.	1
18	530023877	NIPPEL	NIPPLE FITTING - FUEL LINE	1
20	545061901	ISOLATOR	ISOLATOR FILTER HOUSING	1
21	544111203	TANKLOCK KPL	TANK CAP ASSY GREY	2
22	530015906	SCREW	SCREW	2
23	545033801	ISOLATOR	ISOLATOR ASSY FRONT	1
25	545063101	FJÄDER	For all EXCEPT For 967861912, 967861934, 967861936. SPRING REAR ISOLATOR.	1
25	577540601	FJÄDER	For 967861912, 967861934, 967861936	1
26	577167201	BRÄNSLEFILTER	ASSEMBLY FUEL PICKUP PRE FLUSHED	1
27	580727101	BRÄNSLESLANG	FUEL HOSE KIT LP100 5.3 O.D.	1
28	530015814	SCREW	SCREW PT 60/10-14	1
29	530029850	KEDJEFÅNGARE	CHAIN CATCHER	1
30	530038990	FELLING DOG	FELLING DOG	1
31	530016439	SCREW	SCREW	2
32	530014381	FELLING DOG	FELLING DOG KIT SPIKE ASSEMBLY	1
33	503735801	BUSHING	For 967861912, 967861934, 967861936	1
33	580457501	GENOMFÖRING	For all EXCEPT For 967861912, 967861934, 967861936. GROMMET FUEL LINE.	1
34	592969801	DISTANSPLÅT	SPACER PLATE	1



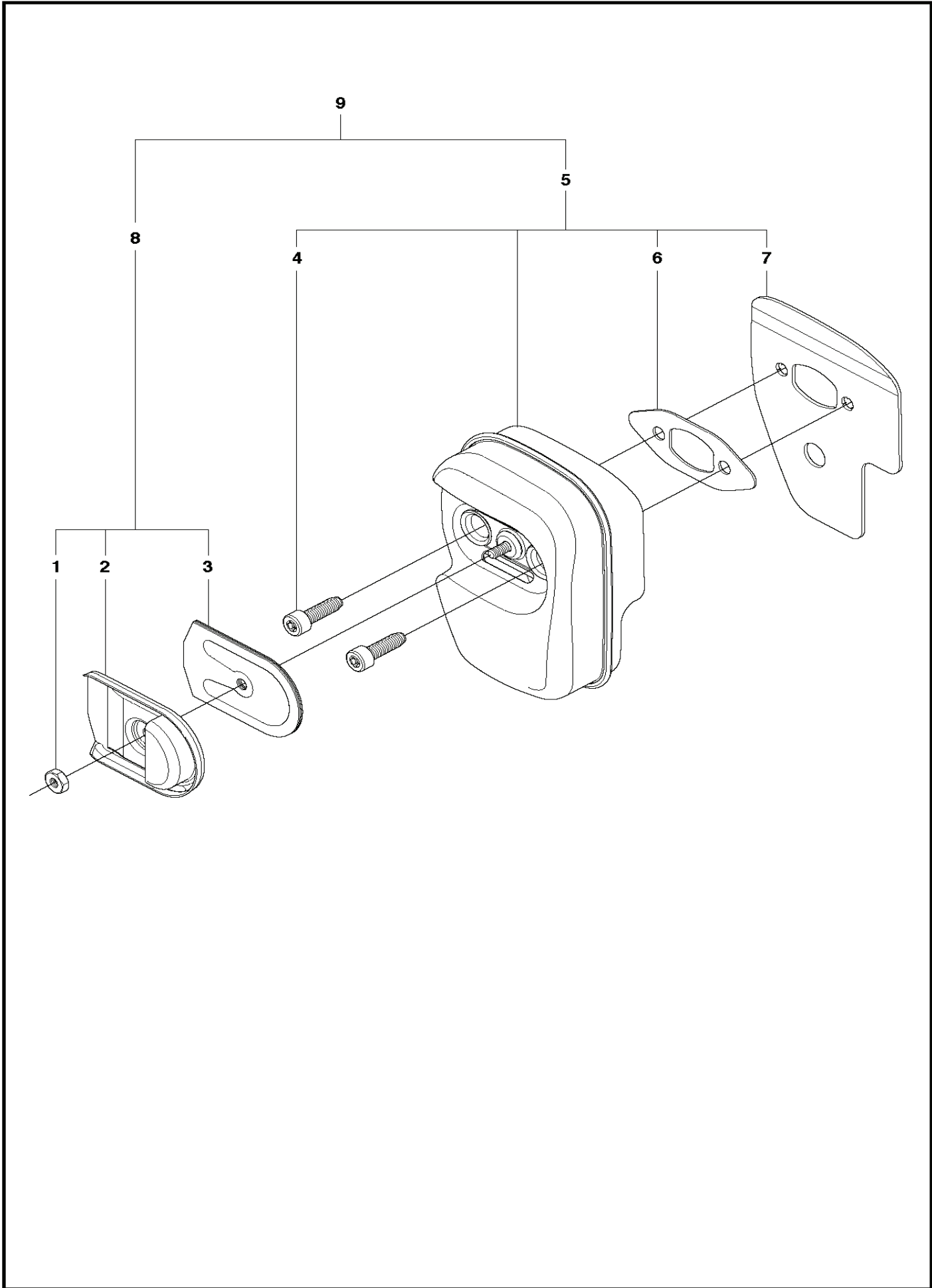
REF.	ART. NR	ARTIKELBESKRIVNING	ANMÄRKNING	KIT
1	545062401	HANDTAG FRÄMRE	FRONT HANDLE	1
2	545062202	REAR HANDLE W/OVMLD 240E	For 967861912, 967861934, 967861936	1
2	545062201	HANDTAG BAKRE	For all EXCEPT For 967861912, 967861934, 967861936, REAR HANDLE NO OVERMOLD.	1
3	545062302	REAR HANDLE COVER W/OVMLD 240E	For 967861912, 967861934, 967861936	1
3	545062301	REAR HANDLE COVER 235/235E	For all EXCEPT For 967861912, 967861934, 967861936, REAR HANDLE COVER NO OVERMOLD.	1
4	545062601	LOCKOUT- THROTTLE	LOCKOUT- THROTTLE	1
6	578246701	UTLÖSARE	TRIGGER ASSEMBLY GRAY	1
7	545033901	ISOLATOR	ISOLATOR ASU FRONT ISOLATOR	1
8	545076301	ISOLATION LIMITER SCREW	ISOLATION LIMITER SCREW M5.28 - 1.8 X 14.75 PL HEX M4 SPECIAL	1
9	530016433	SCREW	SCREW #8-16 X 15.1 PL PAN TRX T25	3
10	530016349	SCREW	SCREW	2
11	530016432	SCREW	SCREW SCREW M5.38- 14X22.225MM	2
12	578862201	SATS	KIT TRIGGER & LOCKOUT	1





---

REF.	ART. NR	ARTIKELBESKRIVNING	ANMÄRKNING	KIT
1	575635502	SVÄNGHJUL	FLYWHEEL ASSY	1
2	530015127	BRICKA	WASHER 5/16" RAMP CONICAL	1
3	530016134	MUTTER	NUT HEX M8-1 RH GR8	1
4	575803501	MODUL	MODULE	1
5	545121901	SCREW	SCREW M4-0.7X16MM SEMS T20	2
6	545079901	ASSY- WIRE HARNESS	ASSY- WIRE HARNESS	1

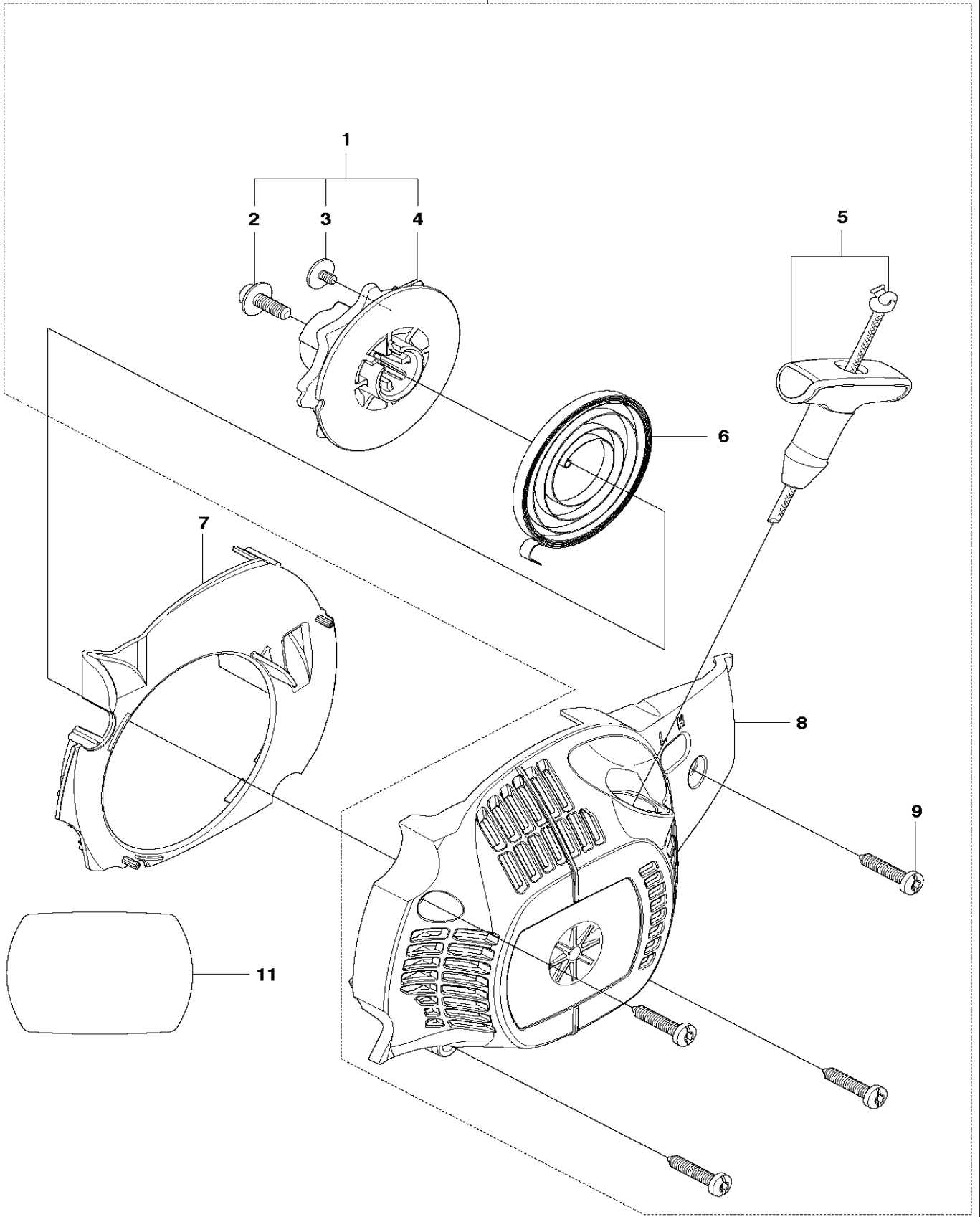


---

REF.	ART. NR	ARTIKELBESKRIVNING	ANMÄRKNING	KIT
1	574266401	MUTTER	NUT 10MM BRASS	1
2	545076901	EXHAUST PLATE	EXHAUST PLATE	1
3	545167401	NÄT	SCREEN ARRESTOR GASKET	1
4	530016338	BULT	BOLT	2
5	586094301	LJUDDÄMPARE	MUFFLER ASSY	1
6	530054884	MUFFLER GASKET	MUFFLER GASKET	1
7	545066901	MUFFLER BACK PLATE	MUFFLER BACK PLATE	1
8	545008027	SATS	KIT SPARK ARRESTOR	1
9	545180843	LJUDDÄMPARE	MUFFLER KIT COMPLETE	1

Without Easy Start (Standard)

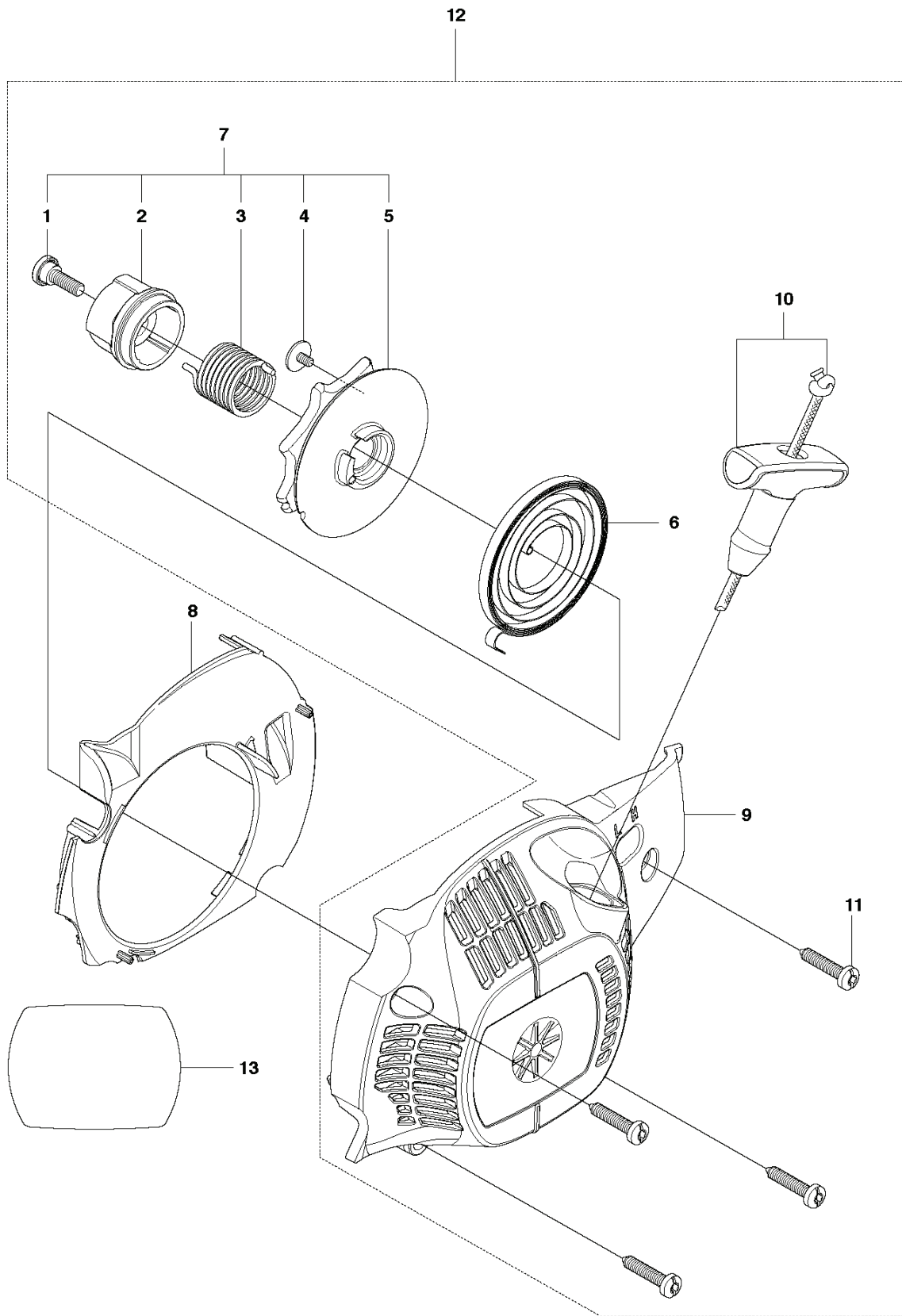
10



---

REF.	ART. NR	ARTIKELBESKRIVNING	ANMÄRKNING	KIT
1	545008028	LINHJUL	KIT STD STARTER	1
2	530015920	SCREW	SCREW	1
3	530016080	SCREW	SCREW	1
4	530057890	LINHJUL	STARTER PULLEY	1
5	545010010	HANDTAG	HANDLE ROPE ASSY	1
6	545008013	FJÄDERKASSETT KPL	SPRING	1
7	545063801	SKYDD	BAFFLE	1
8	545063701	FLÅKTHUS	FAN HOUSING	1
9	530016432	SCREW	SCREW SCREW M5.38-14X22.225MM	4
10	545008025	STARTAPPARAT KPL	KIT COMPLETE	1
11	594914101	DEKAL	DECAL FAN HOUSING 120 MARK II	1

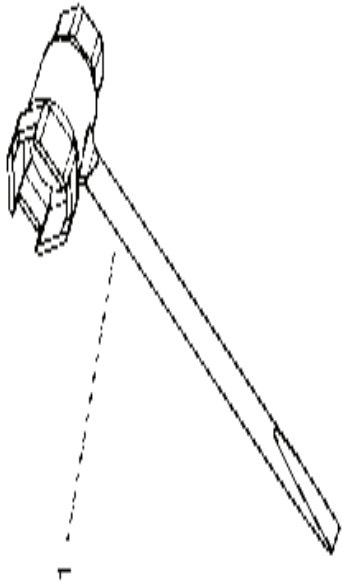
# With Easy Start



---

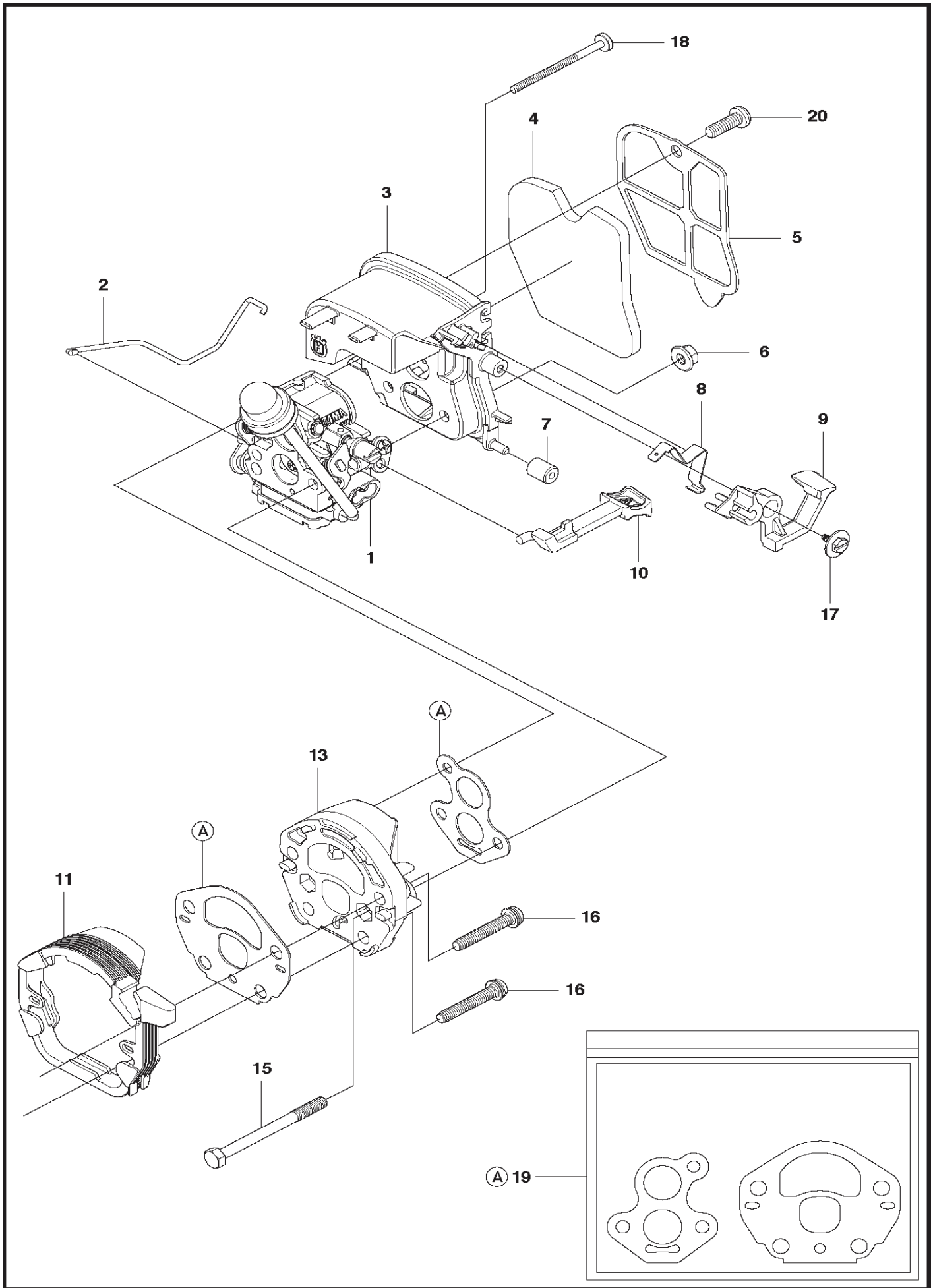
REF.	ART. NR	ARTIKELBESKRIVNING	ANMÄRKNING	KIT
1	530021179	SCREW	SCREW	1
2	530059677	HYLSA	SLEEVE	1
3	530021180	FJÄDER	Spring	1
4	530016080	SCREW	SCREW	1
5	545058201	REMSKIVA	PULLEY	1
6	530042095	FJÄDER	SPRING	1
7	530071966	LINHJUL	EPS STARTER KIT (INCL. PULLEY)	1
8	545063801	SKYDD	BAFFLE	1
9	545063701	FLÄKTHUS	FAN HOUSING	1
10	545010010	HANDTAG	HANDLE ROPE ASSY	1
11	530016432	SCREW	SCREW SCREW M5.38-14X22.225MM	4
12	545008024	SATS	KIT COMPLETE	1
13	594914101	DEKAL	DECAL FAN HOUSING 120 MARK II	1



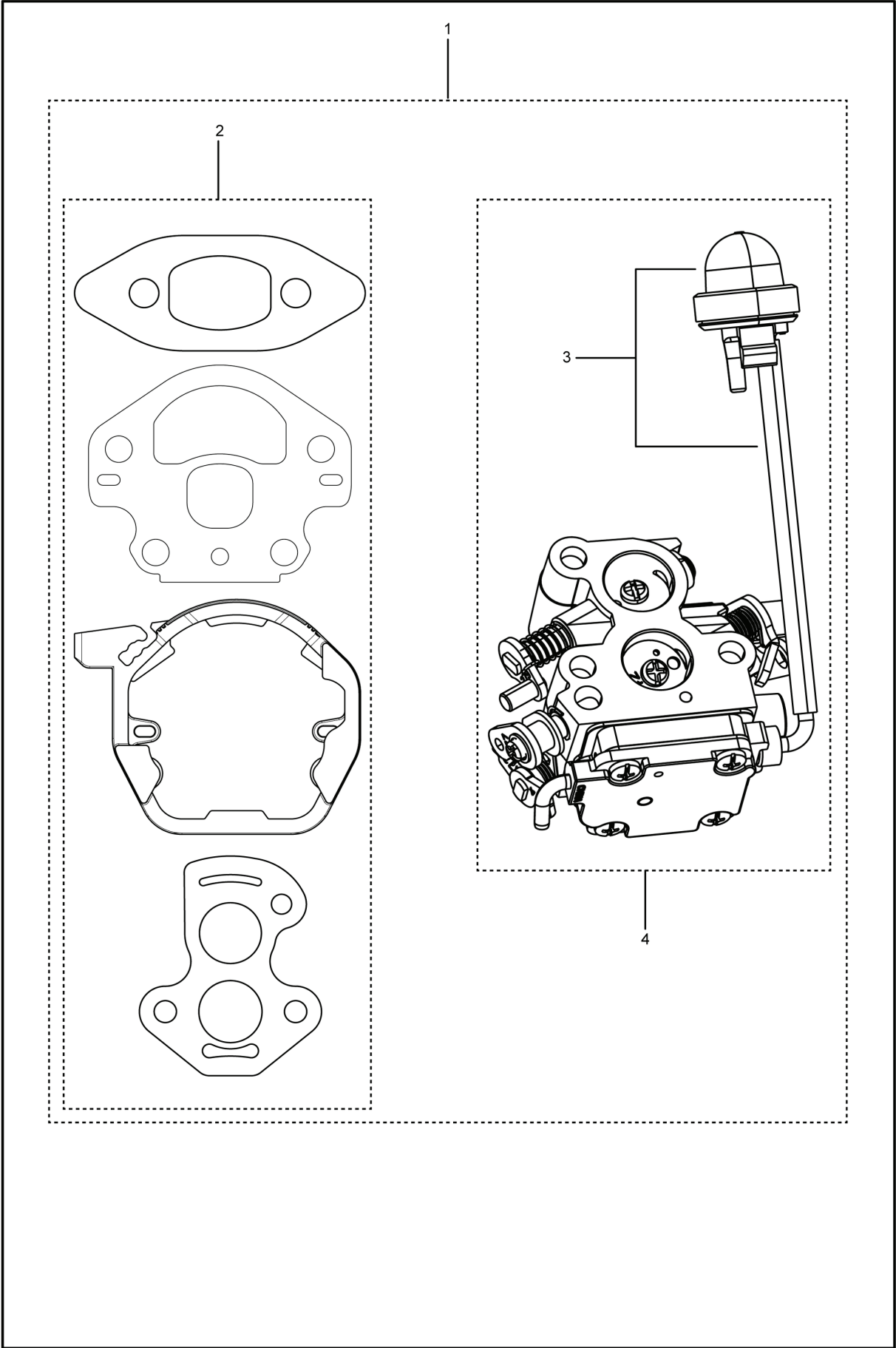


---

REF.	ART. NR	ARTIKELBESKRIVNING	ANMÄRKNING	KIT
1	587465401	SKIFTNYCKEL	For all EXCEPT For 967861912, 967861934, 967861936. WRENCH CHAINBRAKE RESET.	1
1	587417201	SKIFTNYCKEL	For 967861912, 967861934, 967861936	1



REF.	ART. NR	ARTIKELBESKRIVNING	ANMÄRKNING	KIT
1	586936202	FÖRGASARE	CARBURETOR WITH PURGE BULB	1
2	577815201	SPJÄLL	THROTTLE WIRE	1
3	575493401	LUFTFILTER	HOUSING	1
4	545061801	LUFTFILTER	AIR FILTER	1
5	545151801	PLATTA	FILTER PLATE	1
6	530016101	MUTTER	NUT	2
7	545061901	ISOLATOR	ISOLATOR FILTER HOUSING	1
8	545063401	SWITCH.SPRING	SWITCH SPRING	1
9	545061701	SWITCH LEVER	SWITCH LEVER	1
10	545061601	CHOKE KNOB	CHOKE KNOB	1
11	545061501	CARB ADAPTOR SEAL	CARB ADAPTOR SEAL	1
13	577636501	ADAPTOR	ADAPTOR CARBURETOR	1
15	545033701	STUD-CARBURETOR	STUD-CARBURETOR	2
16	545158301	CARB ADAPTOR SCREW	CARB ADAPTOR SCREW	4
17	530016080	SCREW	SCREW	1
18	545074901	TOP STUD-CARBURETOR	TOP STUD-CARBURETOR	1
19	545081892	PACKNINGSSATS	GASKET KIT	1
20	530016349	SCREW	SCREW	1



---

REF.	ART. NR	ARTIKELBESKRIVNING	ANMÄRKNING	KIT
1	587609701	SATS	KIT CARB REPAIR	1
2	573977601	SATS	CARBURETOR GASKET	1
3	545008030	PURGE	PURGE AND LINE ASSEMBLY	1
4	586936202	FÖRGASARE	CARBURETOR	1

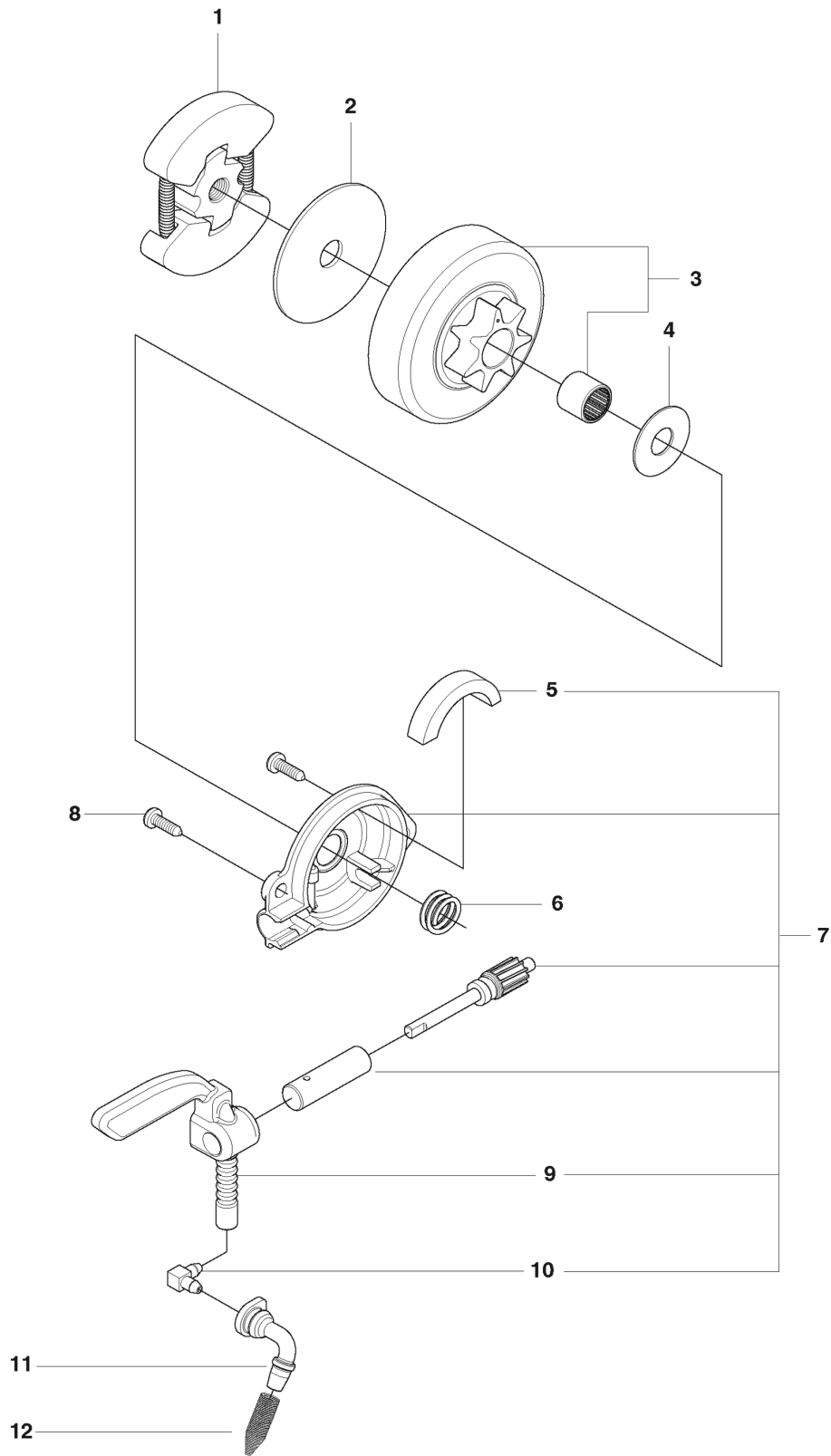


---

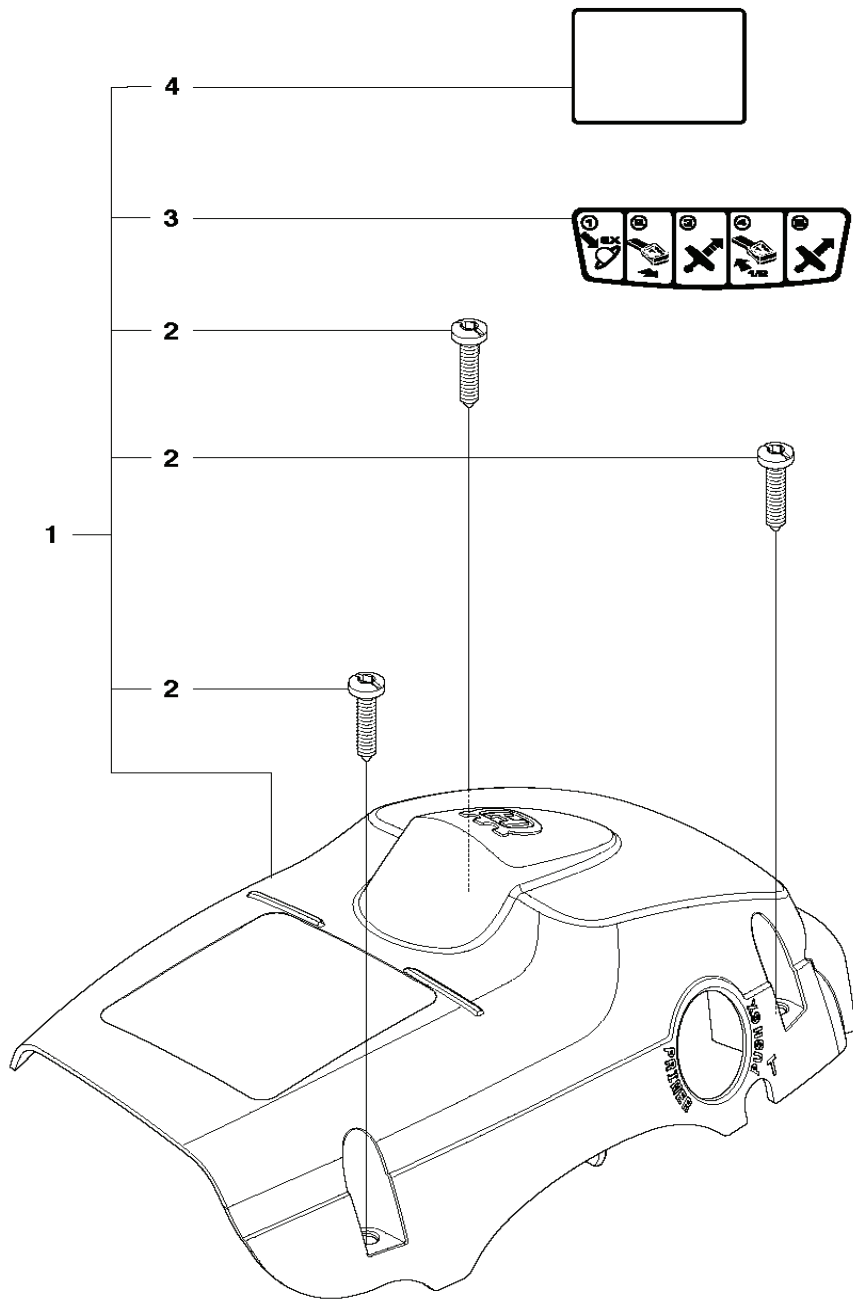
REF.	ART. NR	ARTIKELBESKRIVNING	ANMÄRKNING	KIT
2	530057950	PIN. DOWEL	PIN. DOWEL	1
3	578936401	LÄNK		1
4	574780301	SCREW	SCREW M3.63-1.34 X 8MM TORX	1
5	530016415	SPRING COMPRESSION	SPRING COMPRESSION	1
6	530016110	SCREW	SCREW BAR ADJUSTMENT	1
7	530038593	HÅLLARE	RETAINER BAR ADJUSTMENT	1
8	530015826	PENNOR	PIN BAR ADJUSTING	1
10	530015913	PENNOR	PIN BRAKE BAND	1
11	530057923	BROMSBAND	BRAKE BAND	1
12	525743001	KÅPA	COVER CHAIN BRAKE	1
13	545227101	SCREW	SCREW	3
14	530015917	MUTTER	NUT	2
15	545118701	DEKAL	DECAL	1
16	525628901	KEDJEBROMS KPL	CHAIN BRAKE ASSY	1



**C** 120 MARK II, 120E MARK II  
CLUTCH AND OIL PUMP



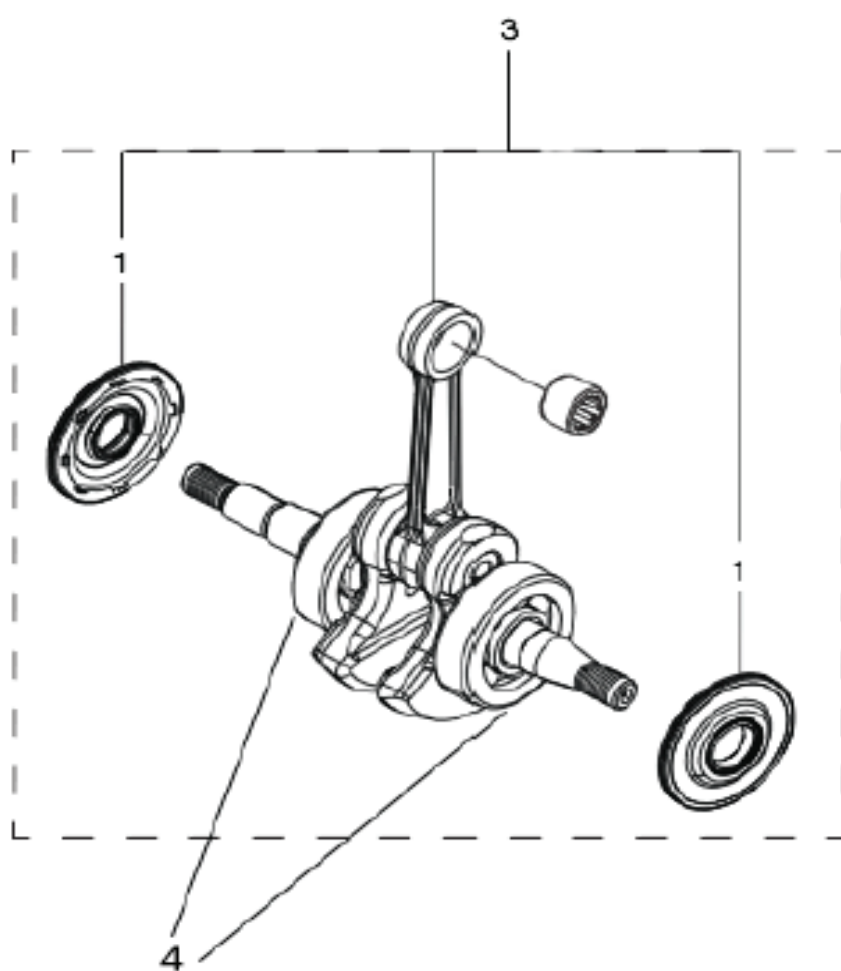
REF.	ART. NR	ARTIKELBESKRIVNING	ANMÄRKNING	KIT
1	530014949	KOPPLING	CLUTCH	1
2	530015611	BRICKA	WASHER	1
3	530047061	KOPPLINGSTRUMMA KPL	For all EXCEPT 967861902. CLUTCH DRUM ASSY SPUR 3/8" 6T.	1
3	530048132	KOPPLINGSTRUMMA	For 967861902. CLUTCH DRUM ASSY SPUR. 325 7T.	1
4	579621501	BRICKA	WASHER THRUST	1
5	525318401	DAMMTÄTNING	DUST SEAL OIL PUMP	1
6	530037820	PUMPDREV	PISTON	1
7	581063901	OLJEPUMP KPL	OIL PUMP ASSY COMPLETE	1
8	545227101	SCREW		1
9	545227501	BLOCK	BLOCK OIL	1
10	530049477	ELBOW	ELBOW	1
11	545069401	SEAL	SEAL	1
12	530056533	NÄT	SCREEN	1



---

REF.	ART. NR	ARTIKELBESKRIVNING	ANMÄRKNING	KIT
1	576543201	SATS	KIT CYLINDER SHIELD	1
2	574320601	SCREW	SCREW M5-0.8X25	3
3	545116502	DEKAL	DECAL STARTING INSTRUCTIONS	1
4	545165957	SKYLT	DECAL WARNING	1
5	579173401	SATS	KIT CHASSIS BRASS INSERTS	1

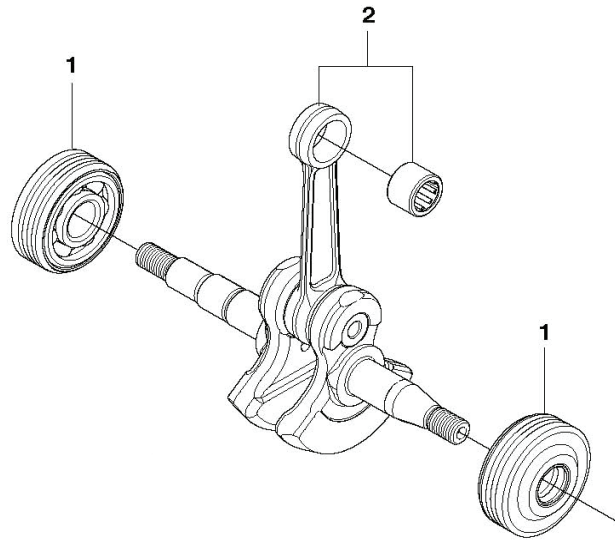
For 967861901, 967861902, 967861903,  
967861904, 967861905, 967861906, 967861907



---

REF.	ART. NR	ARTIKELBESKRIVNING	ANMÄRKNING	KIT
1	581608001	SEAL	SEAL RADIAL BEARING 12 X 36.2 X 3.7	2
3	577830802	SATS	KIT CRANKSHAFT COMPLETE HARDMOUNT BEARING	1
4	585621401	LAGER	BEARING 37MM OD	2

For 967861912, 967861934, 967861936



---

REF.	ART. NR	ARTIKELBESKRIVNING	ANMÄRKNING	KIT
1	576243901	LAGER		2
2	580302601	VEVAXEL		1