

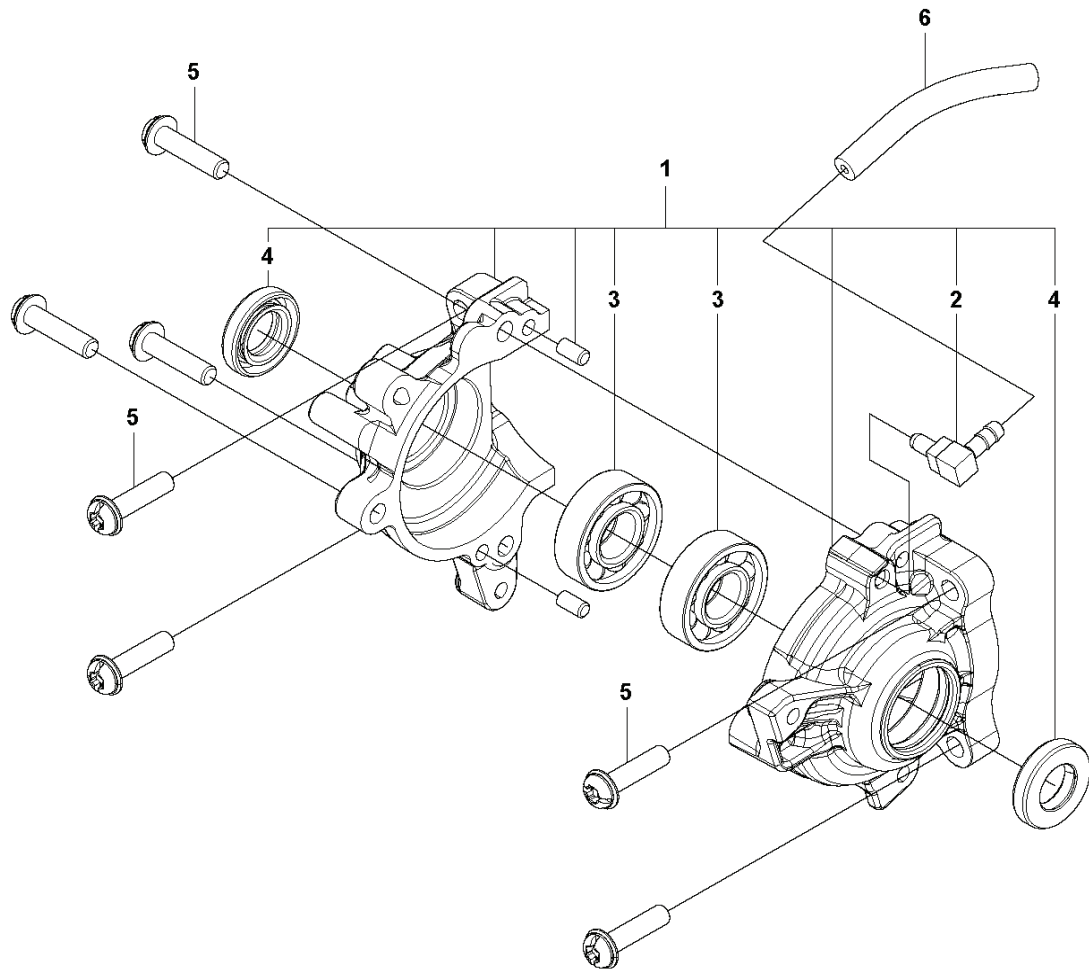
RESERVDELSKATALOG

: HUSQVARNA T525

Reservdelslista

RESERVDELSLISTA

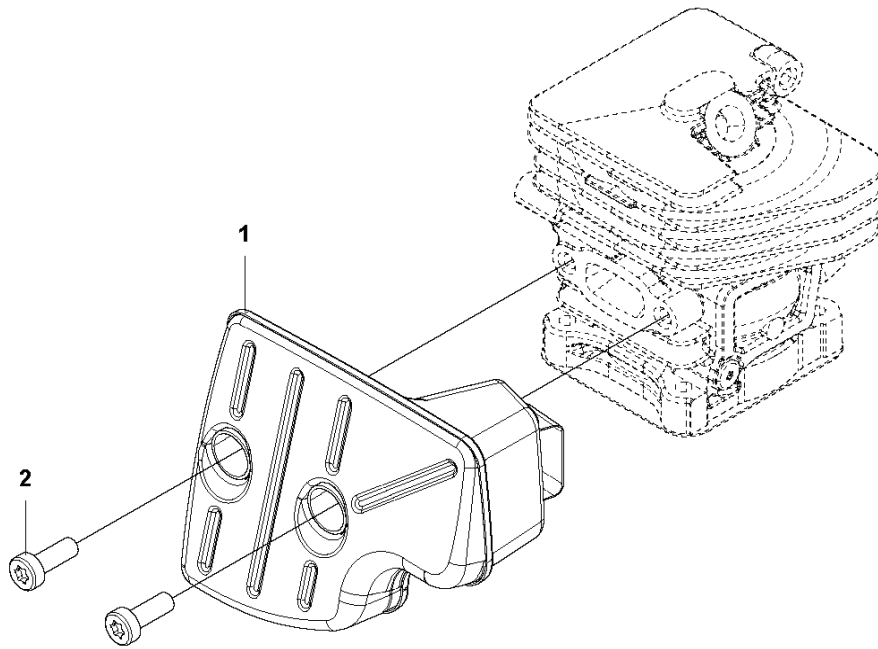
B T525
CRANKCASE



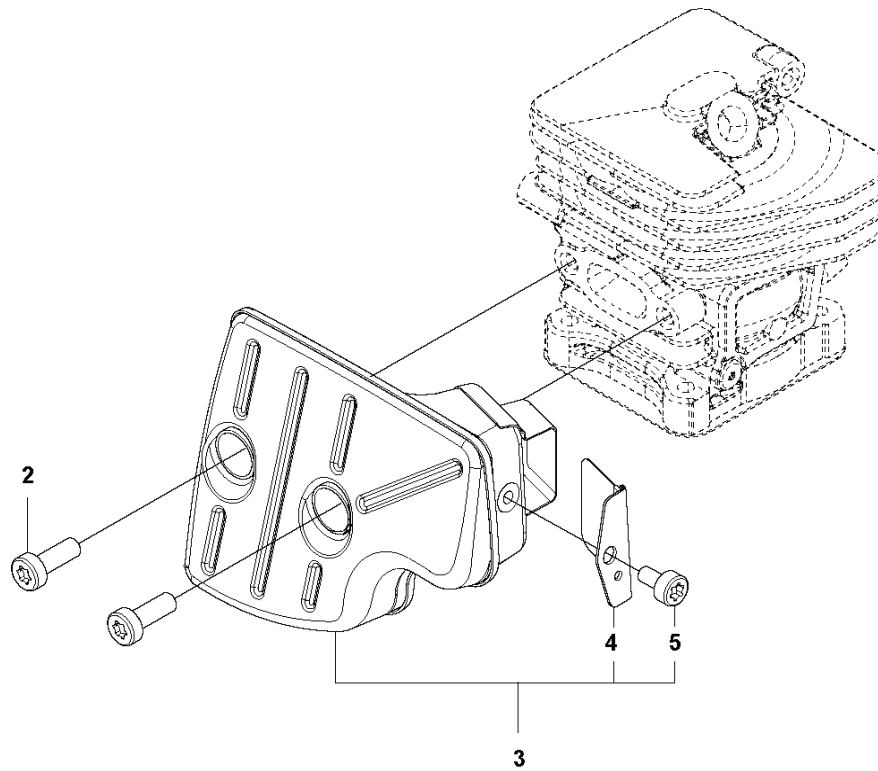
REF.	ART. NR	ARTIKELBESKRIVNING	ANMÄRKNING	KIT
1	590153301	VEVHUS KPL		1
2	590508001	ELBOW		1
3	587869501	KULLAGER		2
4	522639101	SEAL		2
5	590266701	SCREW		7
6	587868701	IMPULSSLANG		1

C T525
MUFFLER

For EU, JP market

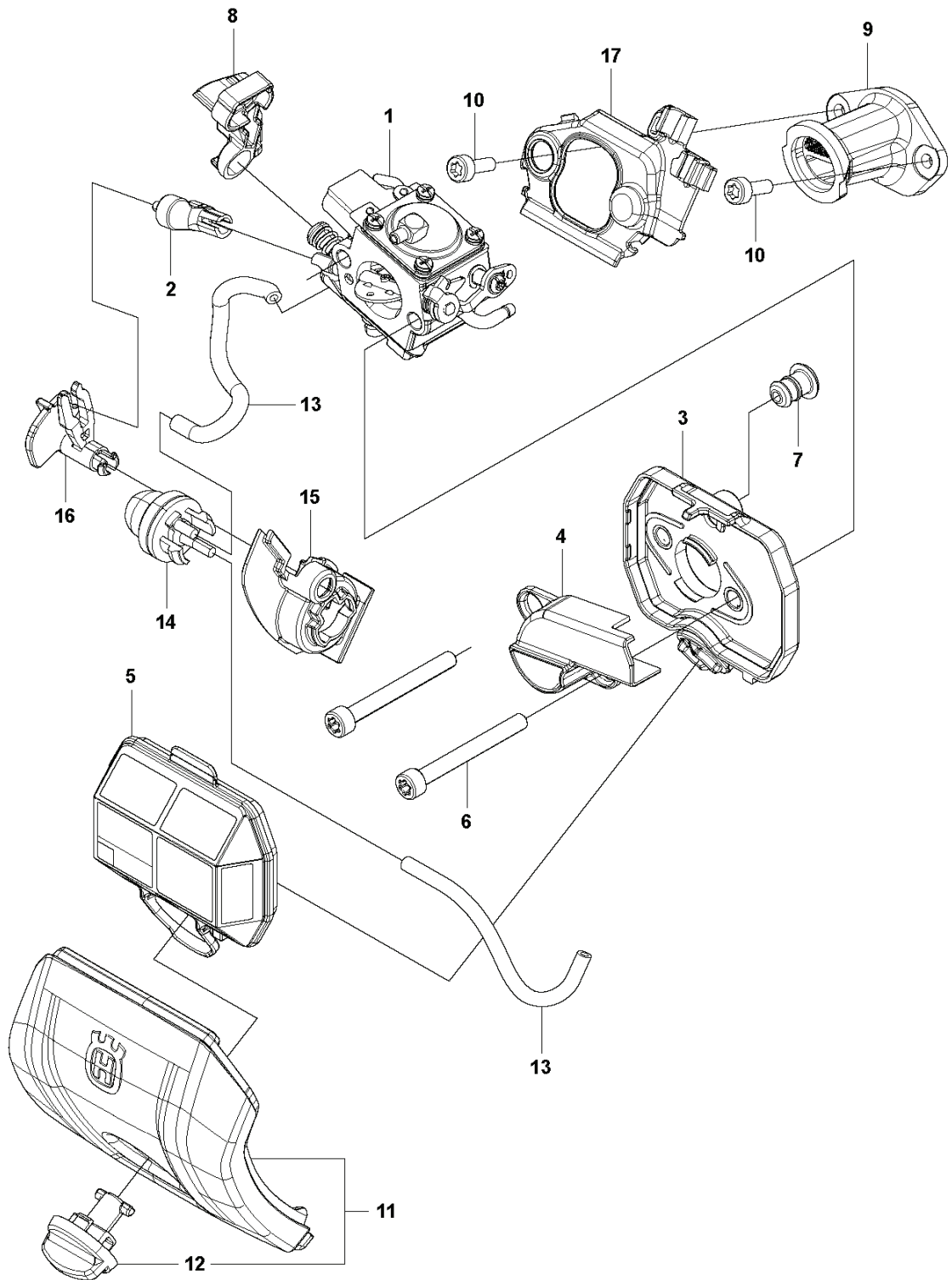


For US/CAN, AUS/NZ market



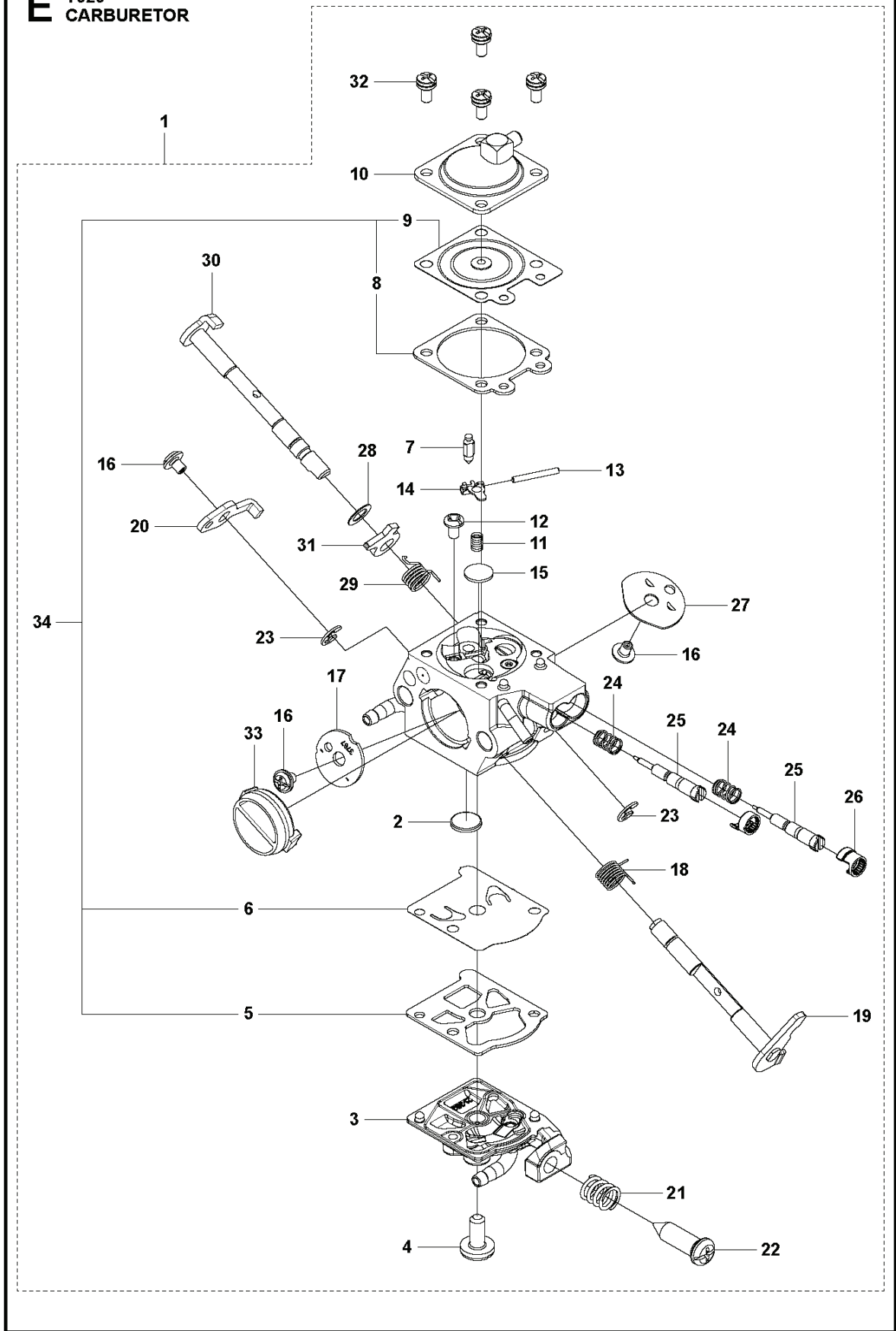
REF.	ART. NR	ARTIKELBESKRIVNING	ANMÄRKNING	KIT
1	587869601	LJUDDÄMPARE	For EU, JP market	1
2	521516201	BULT		2
3	593333001	LJUDDÄMPARE KPL	For US/CAN market	1
4	593333401	GNISTFÅNGARNÄT	For US/CAN market	1
5	544362701	BULT	For US/CAN market	1

D T525
CARBURETOR & AIR FILTER



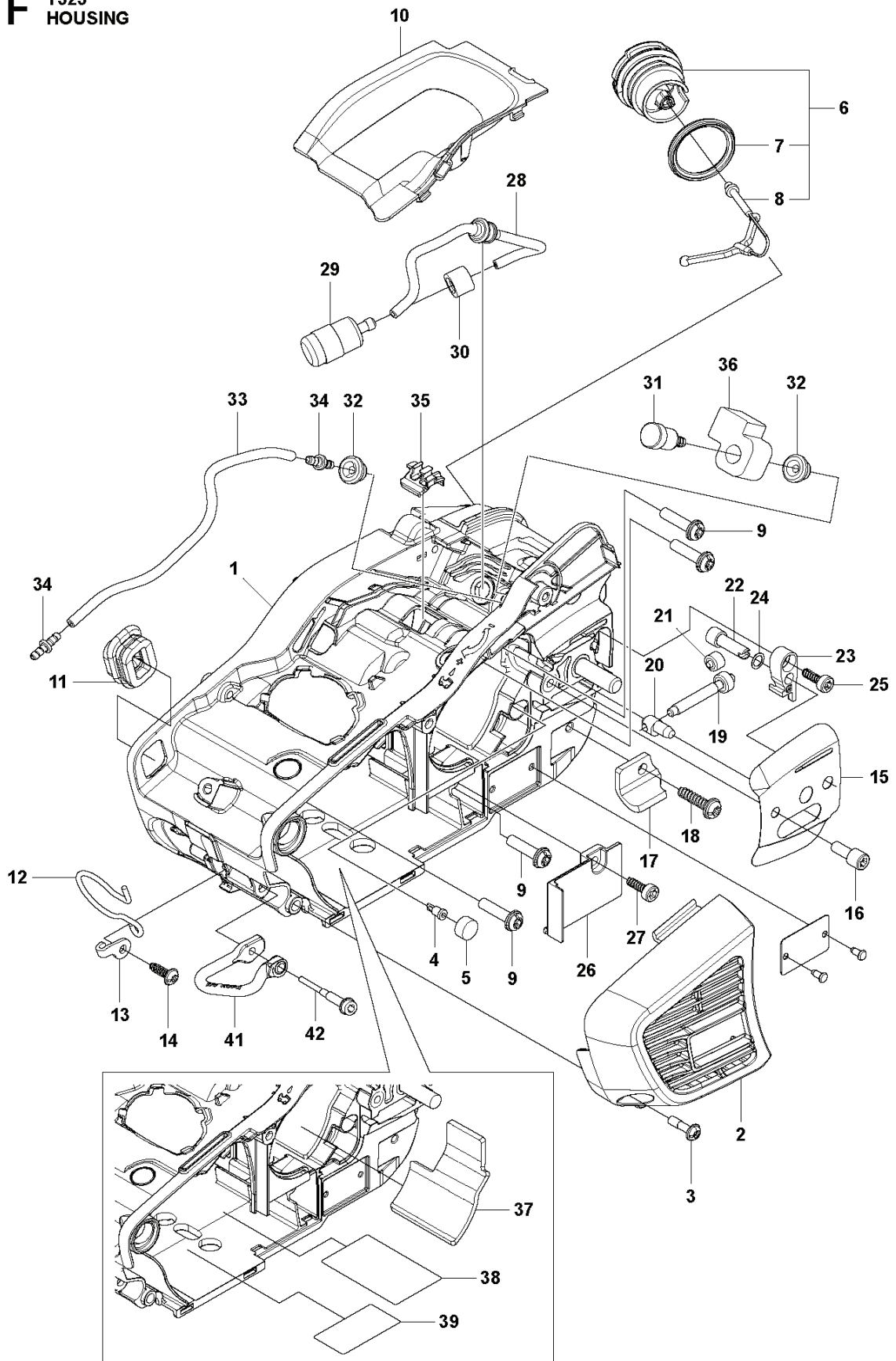
REF.	ART. NR	ARTIKELBESKRIVNING	ANMÄRKNING	KIT
1	587870501	FÖRGASARE		1
2	588662501	CHOKEARM		1
3	587870701	LUFTFILTERBOTTEN		1
4	589205001	PLATTA		1
5	587871001	LUFTFILTERHALVA		1
5	597176001	LUFTFILTERHALVA	Non-woven	1
6	587870901	BULT		2
7	521625602	GENOMFÖRING		1
8	587871401	GENOMFÖRING		1
9	587871101	INSUGSRÖR		1
10	521515701	BULT		2
11	587879601	LUFTFILTERKÅPA		1
12	585697402	KNOPP		1
13	595526903	BRÄNSLESLANG		2
14	513789301	PUMP		1
15	587880101	FÄSTE		1
16	587870601	CHOKEREGGLAGE		1
17	587879901	KÅPA		1

E T525
CARBURETOR



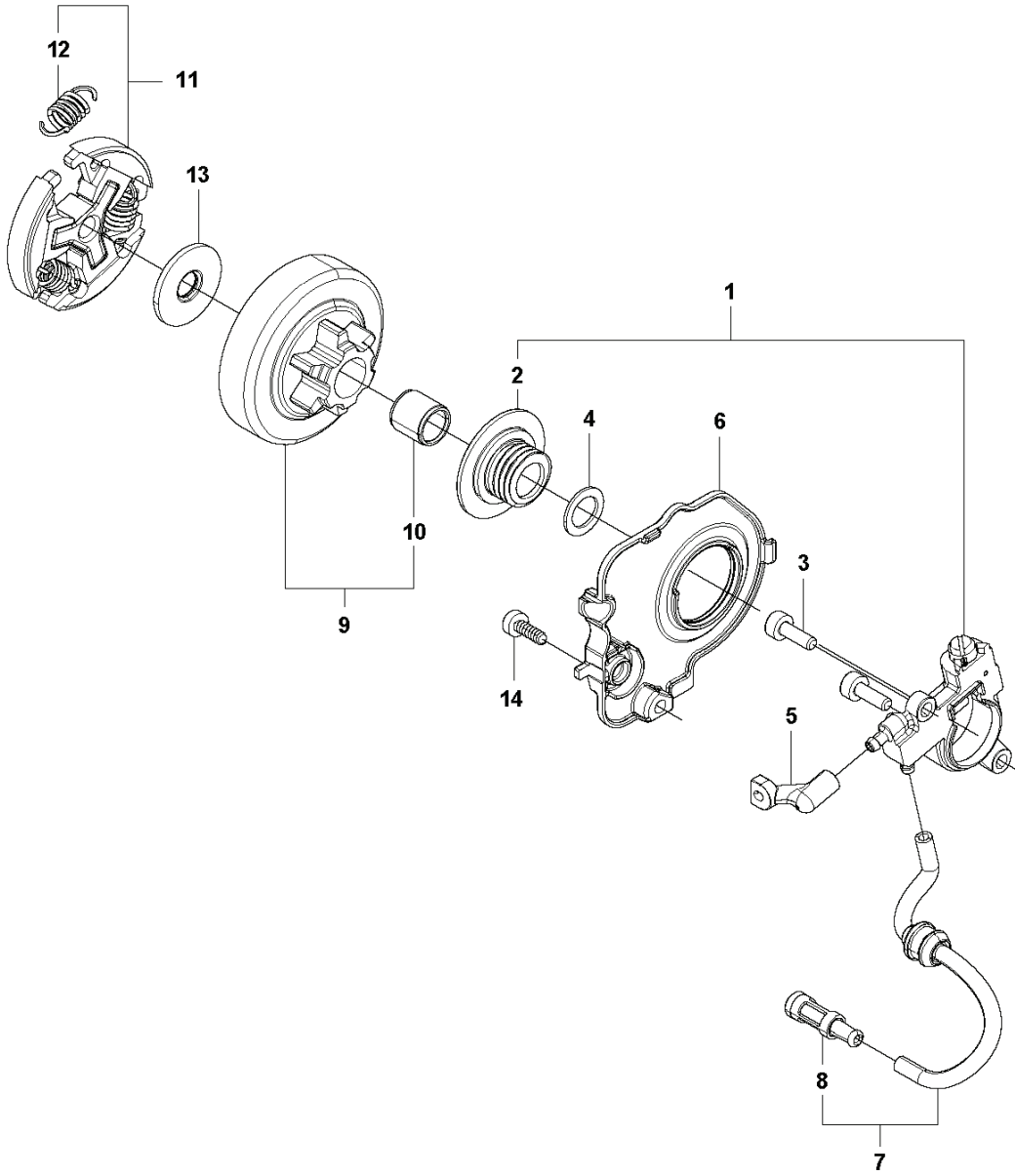
REF.	ART. NR	ARTIKELBESKRIVNING	ANMÄRKNING	KIT
1	587870501	FÖRGASARE		1
2	520957001	NÄT		1
3	590219101	COVER ASSY		1
4	520976301	SCREW		1
5	520954801	PACKNING		1
6	596968101	DIAPHRAGM PUMP		1
7	521085401	VALVE INLET		1
8	516972101	PACKNING		1
9	505306801	MEMBRAN		1
10	522646001	KÅPA		1
11	511967601	FJÄDER		1
12	520977301	SCREW		1
13	520977401	TAPP		1
14	520977201	HÄVARM		1
15	516342901	PLUGG		1
16	520759801	SCREW		3
17	590219301	VENTIL		1
18	590219401	FJÄDER		1
19	590219501	AXEL KPL		1
20	590219701	HÄVARM		1
21	513593201	FJÄDER		1
22	577815701	SCREW		1
23	505056501	RING		2
24	578912801	FJÄDER		2
25	579190901	NEEDLE HIGH SPEED		2
26	578913001	HATT		2
27	521790001	VENTIL		1
28	516524201	BRICKA		1
29	590219801	FJÄDER		1
30	590219901	AXEL KPL		1
31	521581101	HÄVARM		1
32	520978801	SCREW ASSY		4
33	590237301	RING		1
34	585597401	PACKNINGSSATS		1

F T525
HOUSING



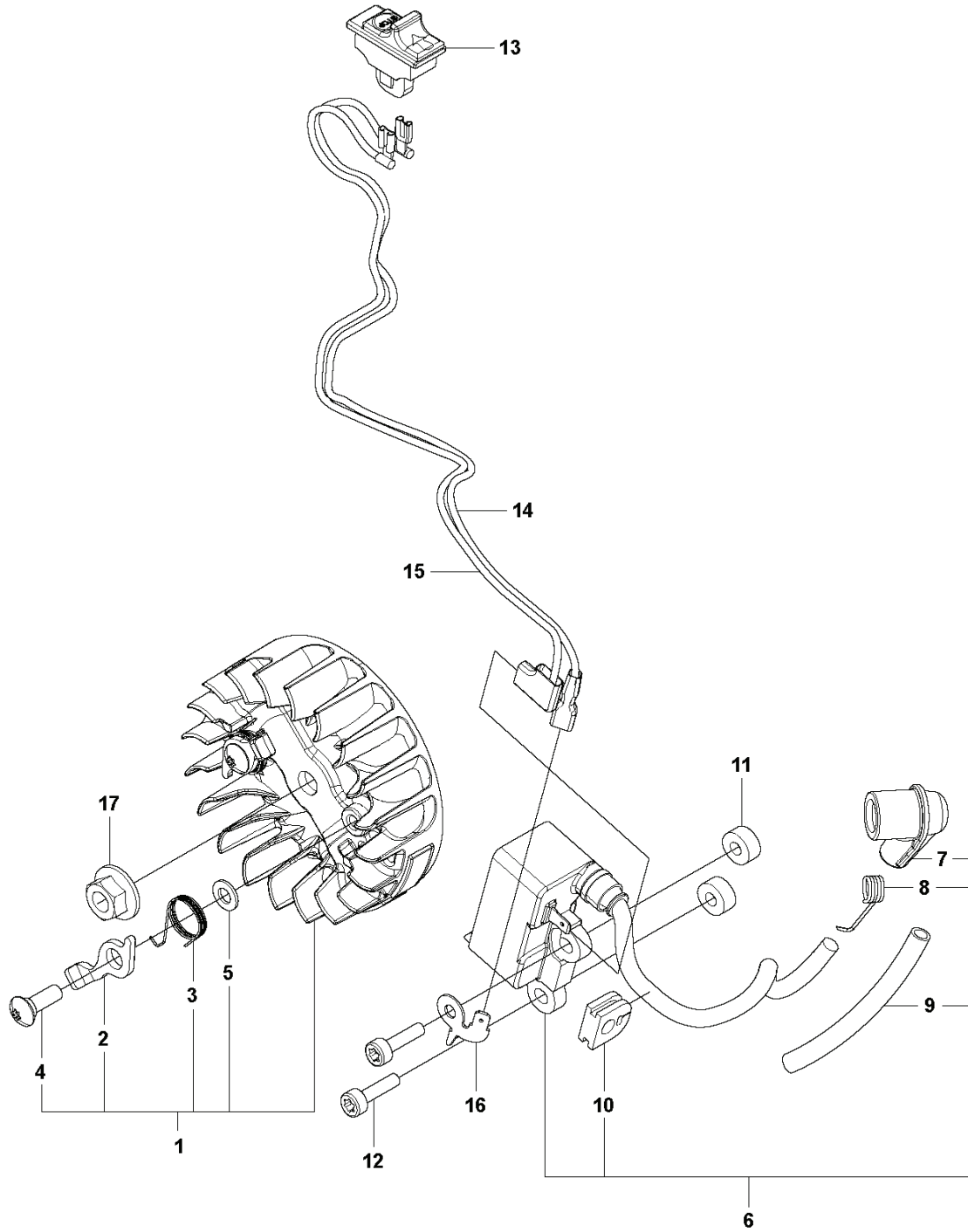
REF.	ART. NR	ARTIKELBESKRIVNING	ANMÄRKNING	KIT
1	587871501	HUS KPL	s/n up to 20182699999	1
1	587871505	HUS KPL	From s/n 20182700001 and Use together with 5878739-02 COVER for Up to s/n 20182699999	1
2	587872201	MUFFLER GUARD	For EU, JP market	1
2	593726701	MUFFLER GUARD	For US/CAN, AUS/NZ market	1
3	590266402	SCREW		1
4	516961901	LUFTNING		1
5	516948101	SEAL		1
6	577878603	TANKLOCK KPL		2
7	589241301	PACKNING		1
8	503578901	HÅLLARE		1
9	590266501	SCREW		4
10	587872601	KÅPA		1
11	587876502	LUFTINTAG		1
12	587873101	ÖGLA		1
13	587873201	FÄSTE		1
14	576984002	SCREW		1
15	587873301	KEDJELEDARPLÅT		1
16	521799901	BULT		1
17	513558701	SPÄRR		1
18	521518101	SCREW		1
19	501904301	SNÄCKSKRUV		1
20	513701401	MUTTER		1
21	501899401	VÄXEL		1
22	501903501	PUMPDRIV		1
23	501905401	KÅPA		1
24	590361001	BRICKA		1
25	576984002	SCREW		1
26	587874001	KÅPA	s/n up to 20182699999	1
26	587874002	KÅPA	s/n from 20182700001	1
27	576984002	SCREW		1
28	590154403	BRÄNSLESLANG KPL	For EU, AUS/NZ, JP market	1
28	590154404	BRÄNSLESLANG KPL	For US/CAN market	1
29	575960701	FILTER		1
30	505044501	KRAGE		1
31	597866301	LUFTNING		1
32	514201402	GENOMFÖRING		2
33	595526912	BRÄNSLESLANG		1
34	516950301	LED		2
35	587860801	FÄSTE		1
36	590223901	TÄTNING		1
37	590153601	ISOLERSKIVA		1
38	590153701	ISOLERSKIVA		1
39	590153801	ISOLERSKIVA		1
41	576381301	ÖGLA		1
42	522847901	SKRUV ITXSCFM		1

G T525
CLUTCH & OIL PUMP



REF.	ART. NR	ARTIKELBESKRIVNING	ANMÄRKNING	KIT
1	587873401	OLJEPUMP KPL		1
2	593825301	PUMPDREV		1
3	521515701	BULT		2
4	505053301	BRICKA		1
5	587873801	OLJETRYCKSLANG		1
6	587873901	KÅPA	s/n up to 20182699999	1
6	587873902	KÅPA	From s/n 20182700001 and Use together with 587 87 15-05 HOUSING ASSY for s/n up to 20182699999	1
7	587874102	OLJESLANG		1
8	594706201	OIL FILTER		1
9	501290503	KOPPLINGSTRUMMA KPL	0,325 mimi 7 tooth	1
9	501290501	KOPPLINGSTRUMMA KPL	3/8 6 tooth	1
9	501290502	KOPPLINGSTRUMMA KPL	1/4 8 tooth	1
10	514183301	LAGER		1
11	511044501	KOPPLING		1
12	512423501	FJÄDER		3
13	512423401	PLATTA		1
14	576984002	SCREW		1

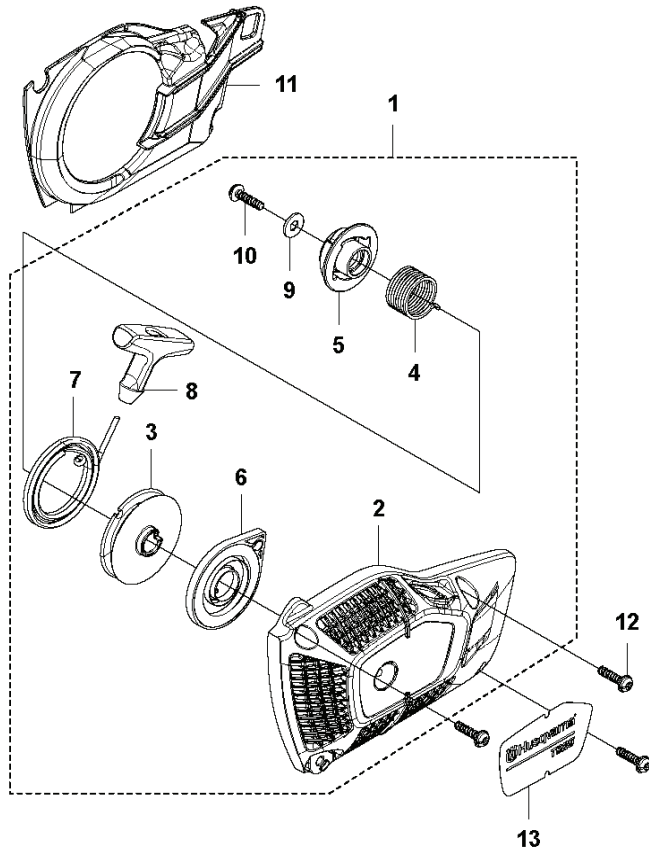
H T525
IGNITION SYSTEM



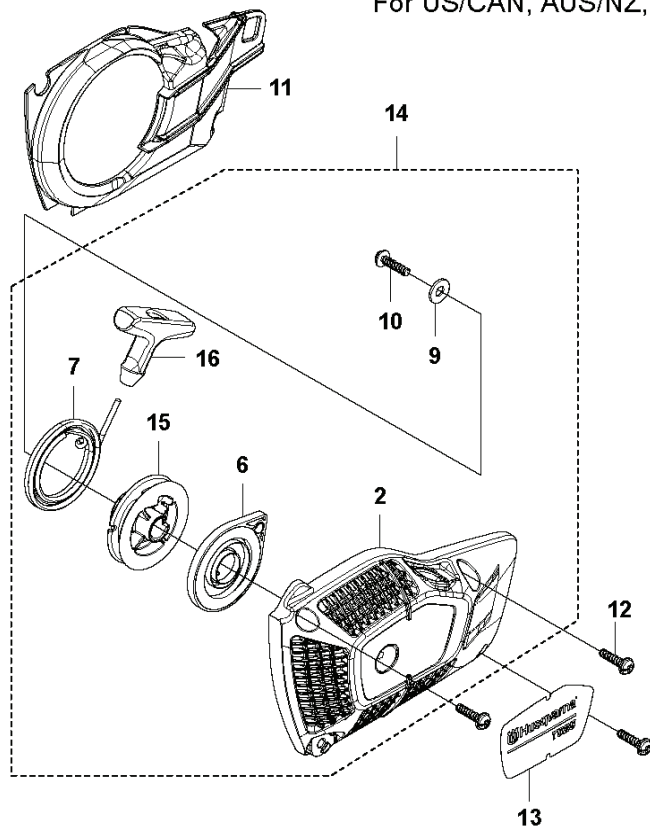
REF.	ART. NR	ARTIKELBESKRIVNING	ANMÄRKNING	KIT
1	587874701	SVÄNGHJUL KPL		1
2	521551701	MEDBRINGARHAKE		2
3	521551801	FJÄDER		2
4	521516001	SCREW		2
5	506614401	BRICKA		2
6	587874902	TÄNDMODUL KPL		1
7	512444001	NAVKAPSEL		1
8	513243301	FJÄDER		1
9	590154501	RÖR		1
10	515415301	GENOMFÖRING		1
11	505043401	DISTANSBRICKA		2
12	506745701	BULT		2
13	522798201	STOPPKONTAKT		1
14	587875401	KORTSLUTNINGSKABEL		1
15	587875301	KORTSLUTNINGSKABEL		1
16	588662701	POLSKO		1
17	504118001	MUTTER		1

**T525
STARTER**

For EU market

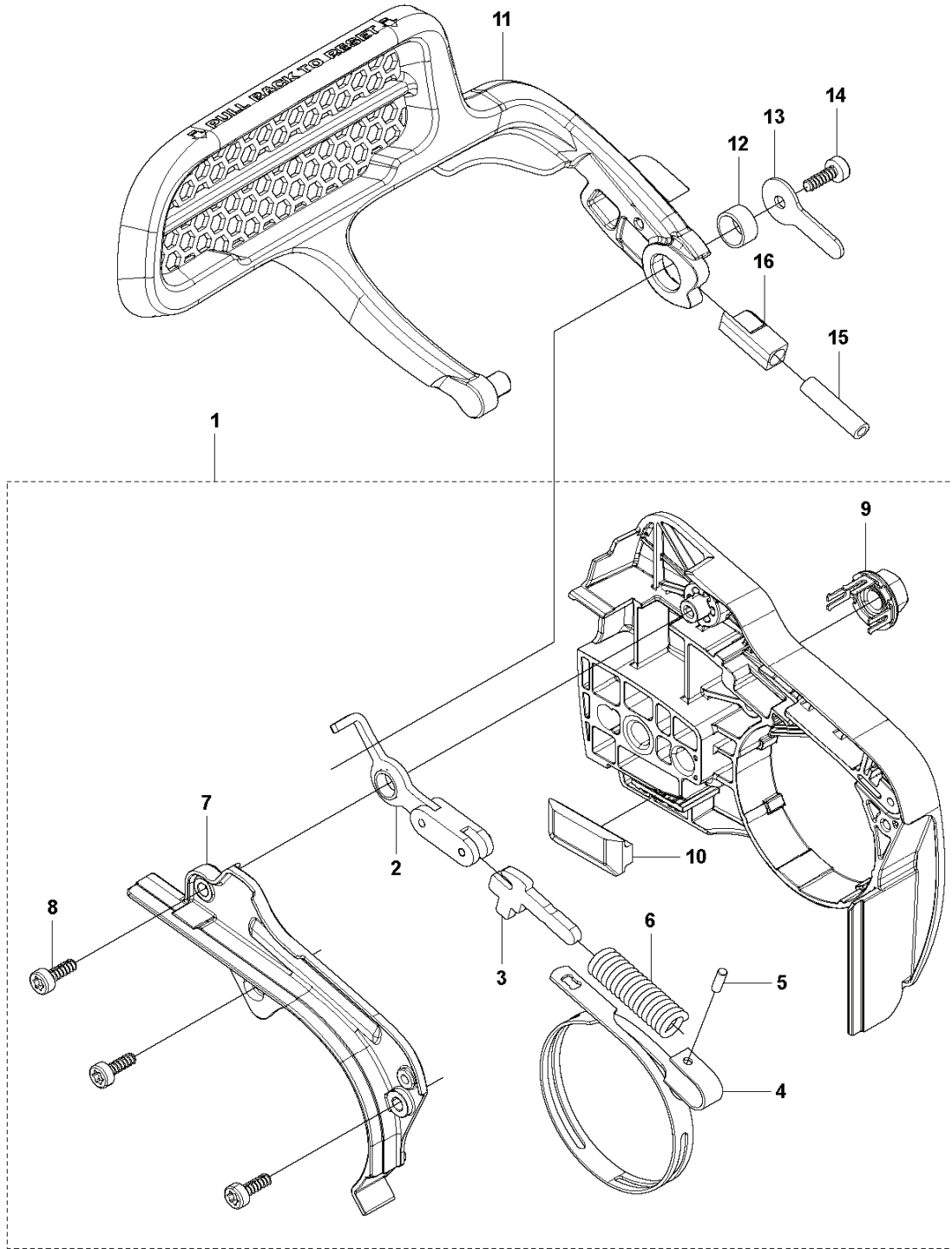


For US/CAN, AUS/NZ, EU, JP market



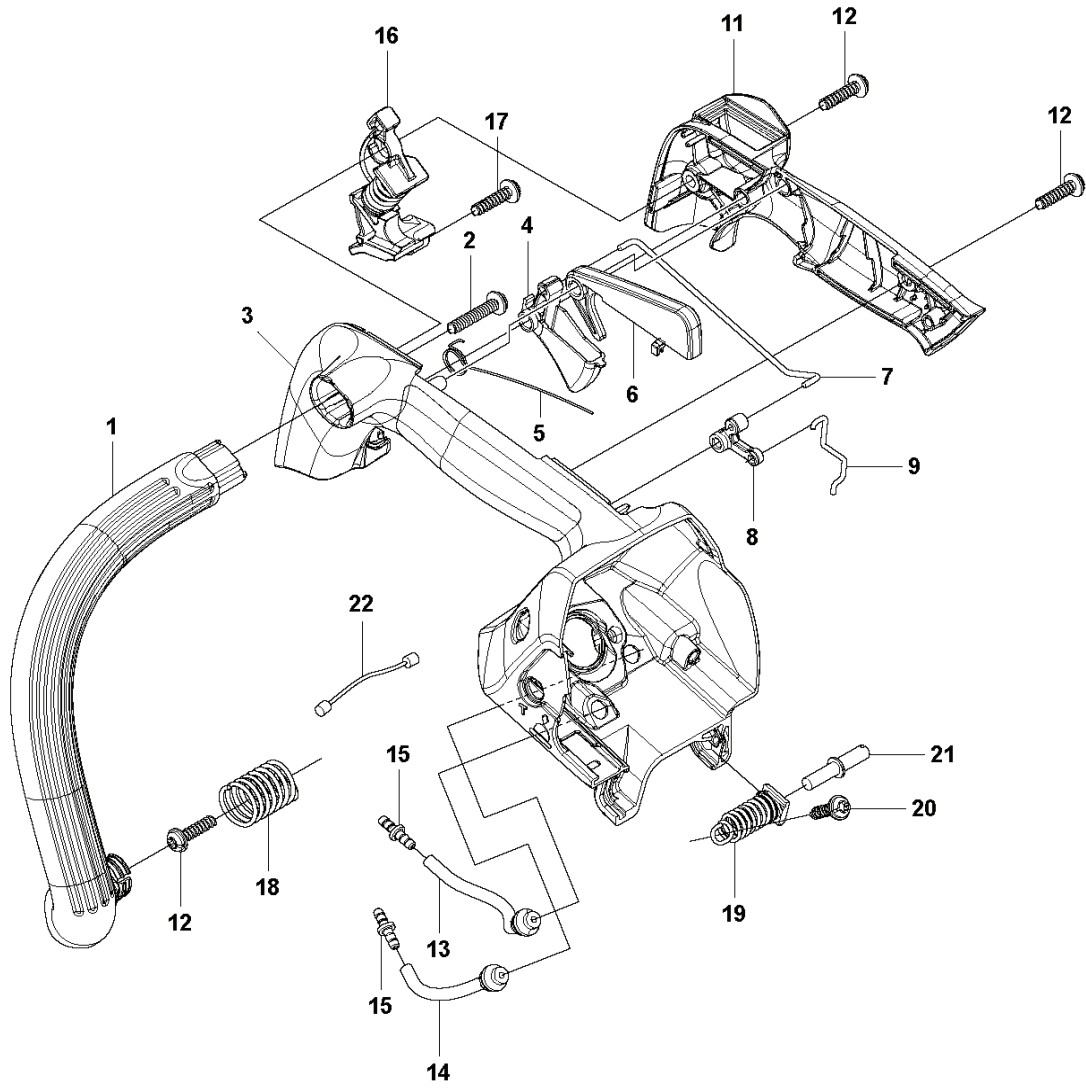
REF.	ART. NR	ARTIKELBESKRIVNING	ANMÄRKNING	KIT
1	587875501	STARTAPPARAT KPL	s/n up to 20202609488 For EU market	1
2	587875601	STARTAPPARATHUS	s/n up to 20202700809 for all market	1
2	587875602	STARTAPPARATHUS		1
3	587875801	LINHJUL	s/n up to 20202609488 For EU market	1
4	587875901	FJÄDER	s/n up to 20202609488 For EU market	1
5	587876001	SPÄRRHAKE	s/n up to 20202609488 For EU market	1
6	513734601	FJÄDER		1
7	513417101	REP		1
8	575489501	STARTHANDTAG	s/n up to 20202609488 For EU market	1
9	505054401	BRICKA		1
10	521518001	SCREW		1
11	587876401	KYLLUFTLEDARE		1
12	521518101	SCREW		4
13	593781701	DEKAL		1
14	596914001	STARTAPPARAT KPL	s/n up to 20202700809 for US/CA, AU/NZ market	1
14	596914002	STARTAPPARAT KPL	For US/CAN, AUS/NZ market, s/n from 20202700810 For EU, JP market	1
15	593587101	LINHJUL	For US/CAN, AUS/NZ market, s/n from 20202700810 For EU, JP market	1
16	593587302	STARTHANDTAG	For US/CAN, AUS/NZ market, s/n from 20202700810 For EU, JP market	1

J T525
CHAIN BRAKE & CLUTCH COVER



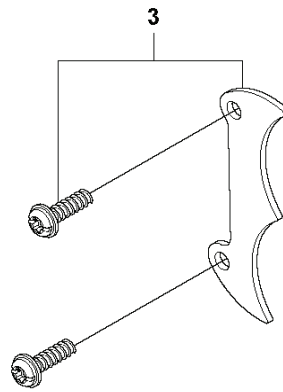
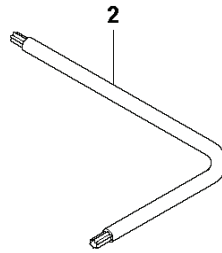
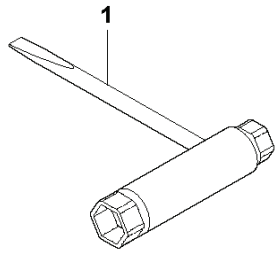
REF.	ART. NR	ARTIKELBESKRIVNING	ANMÄRKNING	KIT
1	587876601	KEDJEBROMS KPL		1
2	587876901	KNÄLED KPL		1
3	516825601	ARM		1
4	587877301	BROMSBAND		1
5	521075401	RULLE		1
6	589569901	BROMSFJÄDER		1
7	587877501	TÄCKLOCK		1
8	576984002	SCREW		3
9	505197301	MUTTER		1
10	513619001	STYRNING		1
11	587872701	KASTSKYDD		1
12	587872902	DISTANSBRICKA		1
13	587873001	BRICKA		1
14	576984002	SCREW		1
15	576984501	FJÄDER		1
16	576984601	SPÄRR		1

K T525
HANDLE



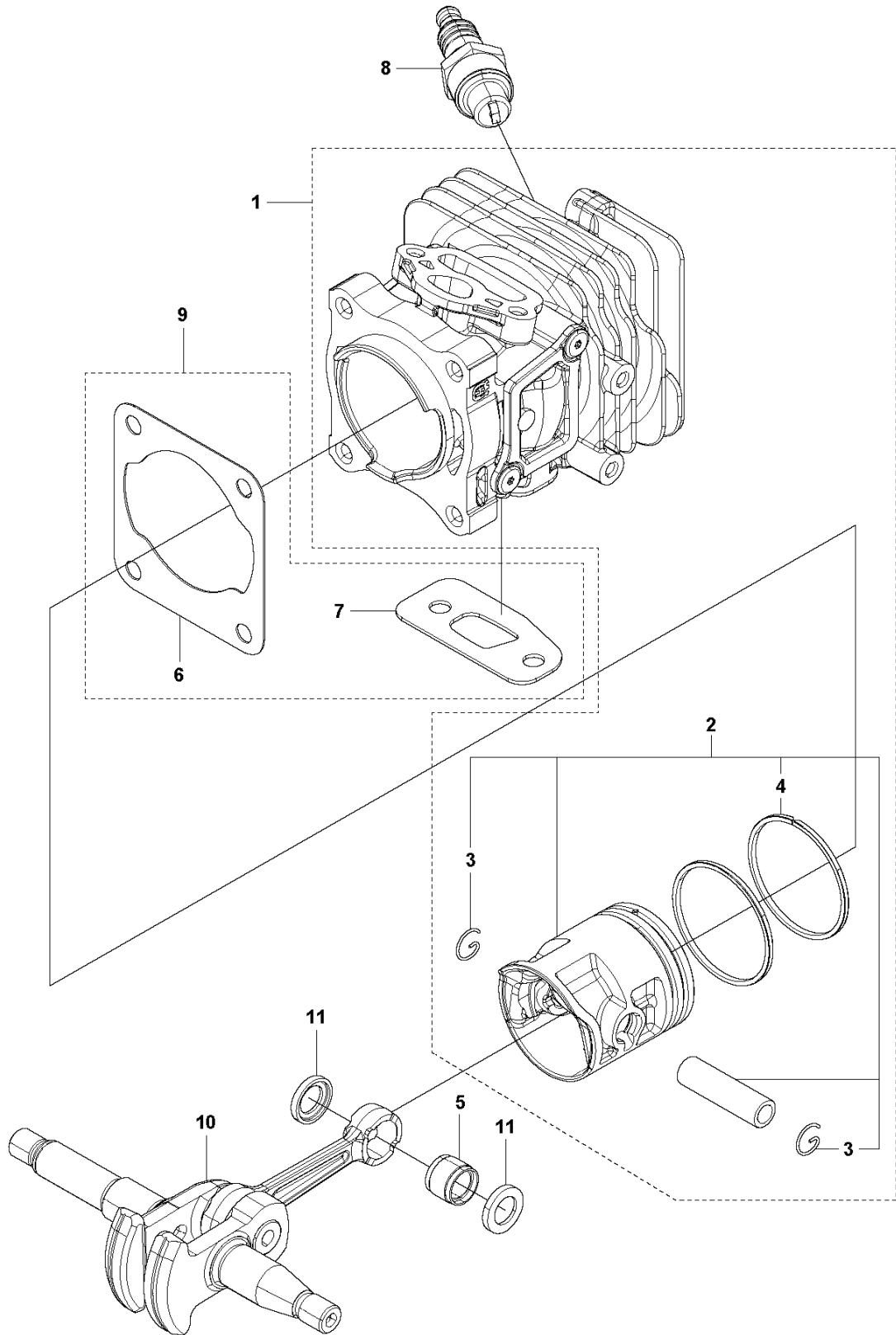
REF.	ART. NR	ARTIKELBESKRIVNING	ANMÄRKNING	KIT
1	587877801	HANDTAG FRÄMRE		1
2	512848101	SCREW		1
3	587878101	HANDTAG	s/n up to 20202609488 For EU market	1
3	587878103	HANDTAG	For US/CAN, AUS/NZ market, s/n from 20202700810 For EU, JP market	1
4	587878301	GASREGLAGE		1
5	505048001	FJÄDER		1
6	587878603	GASSPÄRR		1
7	587878701	GASSTÄNG		1
8	587878801	LÄNKARM		1
9	587879001	LÄNKSTAG		1
11	587879301	KÅPA	s/n up to 20202609488 For EU market	1
11	587879302	KÅPA	For US/CAN, AUS/NZ market, s/n from 20202700810 For EU, JP market	1
12	521518101	SCREW		3
13	589204903	IMPULSSLANG	For EU, AUS/NZ market	1
13	593186902	GENOMFÖRING	For US/CAN market	1
14	589204904	IMPULSSLANG		1
15	516950301	LED		2
16	501906203	VIBRATIONISOLATOR		1
17	521518001	SCREW		1
18	587880601	FJÄDER		1
19	588989201	VIBRATIONISOLATOR		1
20	521517901	SCREW		1
21	513727801	BULT		1
22	587880303	VAJER	s/n from 20202700810	1

L T525
ACCESSORIES



REF.	ART. NR	ARTIKELBESKRIVNING	ANMÄRKNING	KIT
1	587243501	SKIFTNYCKEL		1
2	575880701	SKIFTNYCKEL		1
3	590487801	BARKSTÖD		1

A T525
CYLINDER, PISTON & CRANKSHAFT



REF.	ART. NR	ARTIKELBESKRIVNING	ANMÄRKNING	KIT
1	501015801	CYLINDER KPL		1
2	501015902	KOLV KPL		1
3	737440800	SPÄRRING		2
4	590648501	KOLVRING		2
5	505040901	LAGER		1
6	587868001	PACKNING		1
7	587870402	PACKNING		1
8	503235401	TÄNDSTIFT		1
9	590531702	TÄTNING		1
10	587869001	VEVAXEL		1
11	505041001	BRICKA		2