

AUTOMOWER[®] 220 AC

2009

Spare parts

Ersatzteile

Pièces détachées

Reserve onderdelen

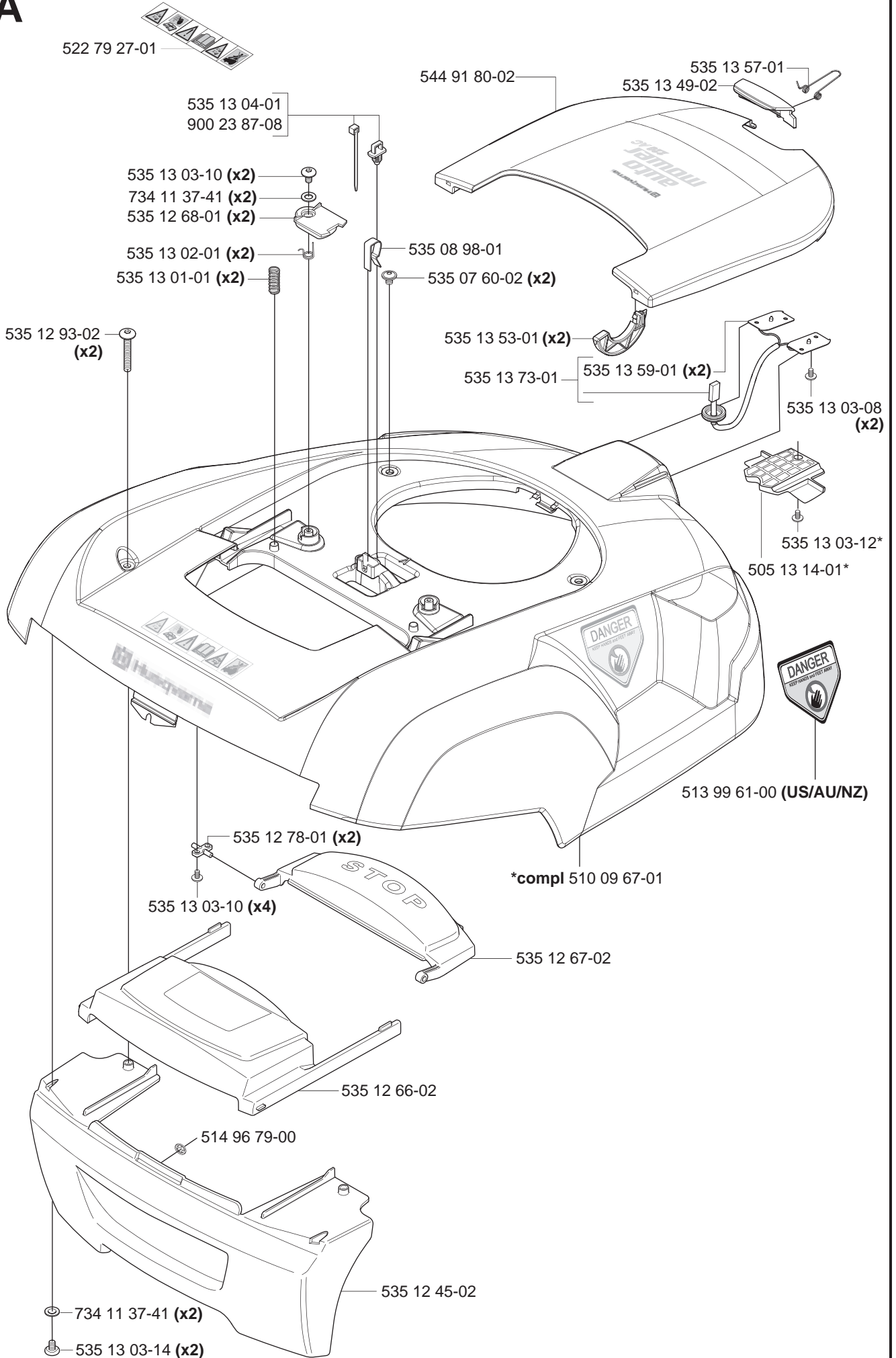
Repuestos

Reservdelar

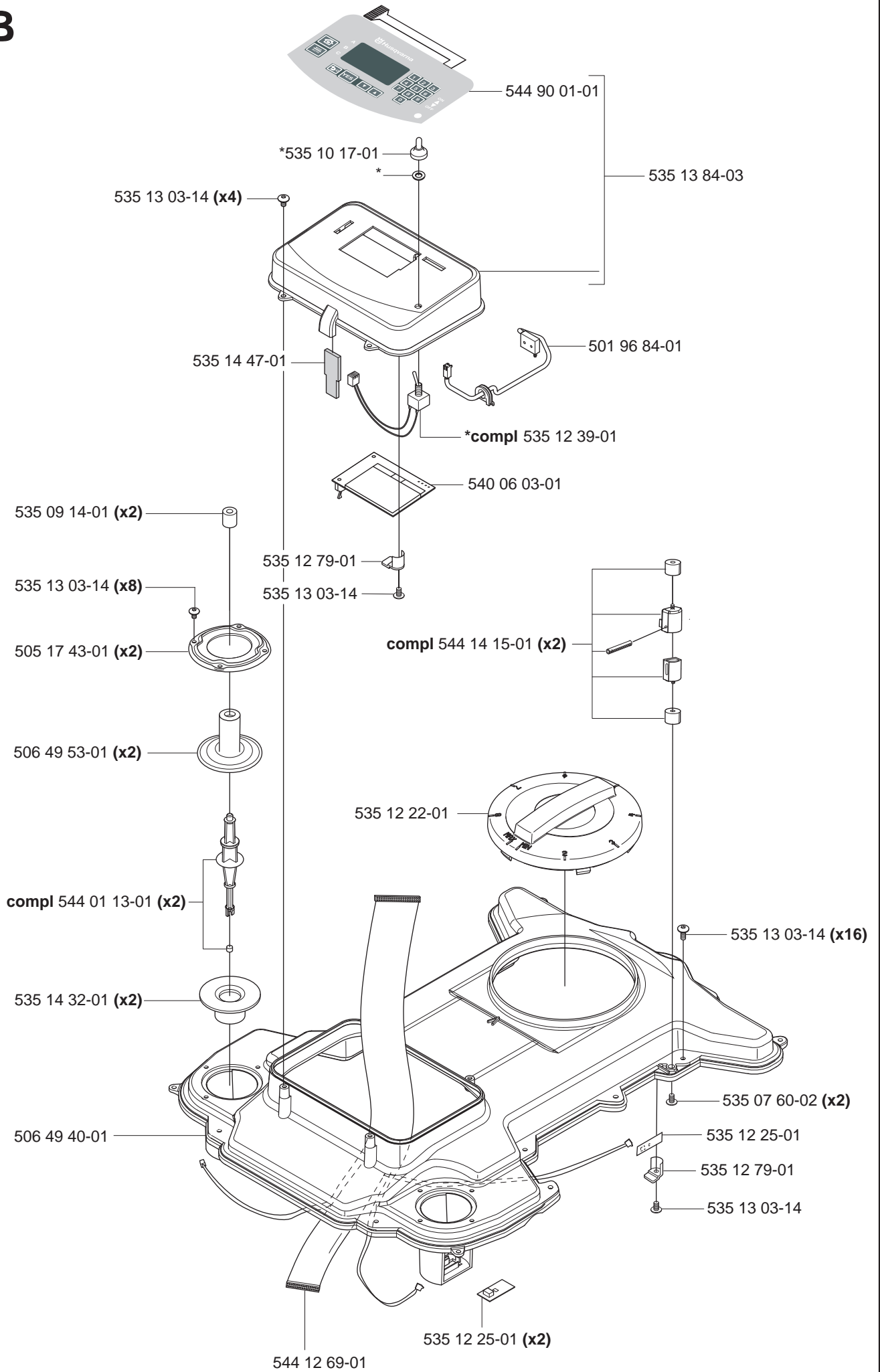
| PART NUMBER | SQUARE | NOTE | PART NUMBER | SQUARE | NOTE | PART NUMBER | SQUARE | NOTE |
|--------------|--------|------|--------------|--------|------|--------------|--------|------|
| 115 13 02-XX | I | N | 522 91 67-01 | H | N | 535 13 03-12 | A | |
| 115 13 03-XX | I | N | 523 34 37-01 | C | N | 535 13 03-14 | ABCE | |
| 115 13 04-XX | I | N | 525 25 14-01 | C | N | 535 13 03-16 | C | |
| 115 13 05-XX | I | N | 535 07 55-01 | D | | 535 13 05-01 | D | |
| 115 09 80-XX | I | | 535 07 57-02 | D | | 535 13 16-01 | G | |
| 115 09 81-XX | I | | 535 07 59-01 | D | | 535 13 23-02 | H | |
| 115 09 82-XX | I | | 535 07 60-01 | D | | 535 13 49-02 | A | |
| 501 00 18-01 | H | | 535 07 60-02 | AB | | 535 13 50-02 | C | |
| 501 00 37-03 | C | | 535 08 15-01 | D | | 535 13 53-01 | A | |
| 501 96 84-01 | B | | 535 08 25-01 | D | | 535 13 57-01 | A | |
| 501 98 02-01 | G | | 535 08 76-01 | C | | 535 13 59-01 | A | |
| 501 98 02-02 | G | | 535 08 78-02 | C | N | 535 13 60-03 | C | |
| 501 98 03-01 | G | | 535 08 89-01 | G | | 535 13 73-01 | A | |
| 501 98 03-02 | G | | 535 08 98-01 | A | | 535 13 79-02 | E | |
| 502 23 91-01 | D | | 535 09 14-01 | B | | 535 13 84-03 | B | |
| 502 49 81-01 | C | N | 535 10 17-01 | B | | 535 13 85-01 | D | |
| 502 63 36-01 | C | | 535 12 09-01 | C | | 535 13 87-01 | H | |
| 502 85 96-01 | C | N | 535 12 20-01 | D | | 535 13 87-02 | H | |
| 504 04 97-01 | G | | 535 12 21-02 | C | | 535 13 88-01 | H | |
| 504 05 36-01 | E | | 535 12 22-01 | B | | 535 13 88-02 | H | |
| 504 20 08-01 | C | | 535 12 23-01 | D | | 535 13 92-02 | C | N |
| 504 82 13-01 | H | | 535 12 24-01 | C | | 535 13 94-01 | C | |
| 504 82 14-01 | H | | 535 12 25-01 | B | | 535 13 96-01 | C | |
| 505 12 32-01 | H | | 535 12 31-02 | C | N | 535 14 00-02 | E | |
| 505 12 36-01 | H | | 535 12 36-01 | D | | 535 14 12-01 | H | |
| 505 12 37-01 | H | | 535 12 37-01 | G | | 535 14 12-02 | H | |
| 505 12 78-01 | H | | 535 12 37-02 | G | | 535 14 27-07 | H | N |
| 505 12 78-02 | H | | 535 12 37-03 | G | | 535 14 32-01 | B | |
| 505 13 14-01 | A | | 535 12 37-04 | G | | 535 14 47-01 | B | |
| 505 13 27-01 | H | | 535 12 37-05 | G | | 540 05 64-01 | C | |
| 505 13 28-01 | H | | 535 12 39-01 | B | | 540 06 03-01 | B | |
| 505 17 43-01 | B | | 535 12 43-03 | E | | 544 01 13-01 | B | |
| 505 18 81-01 | H | | 535 12 44-01 | E | | 544 12 69-01 | B | |
| 505 22 94-01 | H | | 535 12 45-02 | A | | 544 14 15-01 | B | |
| 505 25 07-01 | H | | 535 12 47-02 | E | | 544 17 75-01 | G | |
| 505 34 77-01 | E | | 535 12 50-01 | E | | 544 45 41-01 | E | |
| 505 69 99-91 | H | | 535 12 52-01 | C | | 544 90 01-01 | B | |
| 506 49 40-01 | B | | 535 12 57-01 | C | | 544 90 52-02 | C | |
| 506 49 43-02 | C | | 535 12 63-01 | D | | 544 90 68-02 | C | |
| 506 49 53-01 | B | | 535 12 64-01 | D | | 544 90 78-01 | C | |
| 510 09 67-01 | A | | 535 12 66-02 | A | | 544 91 80-02 | A | |
| 510 20 99-01 | H | N | 535 12 67-02 | A | | 544 98 07-01 | F | |
| 513 99 61-00 | A | | 535 12 68-01 | A | | 544 98 07-02 | F | |
| 514 96 79-00 | A | | 535 12 73-05 | G | | 544 98 07-03 | F | |
| 521 93 31-01 | C | N | 535 12 78-01 | A | | 544 98 07-04 | F | |
| 522 42 58-01 | H | N | 535 12 79-01 | B | | 544 98 07-05 | F | |
| 522 50 48-01 | C | N | 535 12 85-01 | E | | 544 98 38-03 | E | |
| 522 50 50-01 | C | N | 535 12 86-01 | E | | 728 82 85-01 | D | |
| 522 66 45-01 | C | N | 535 12 87-02 | E | | 735 58 41-09 | C | N |
| 522 73 66-01 | C | N | 535 12 90-01 | G | | 734 11 37-41 | AD | |
| 522 79 27-01 | A | N | 535 12 93-02 | A | | 900 23 87-08 | A | |
| 522 85 16-02 | H | N | 535 13 01-01 | A | | | | |
| 522 85 17-02 | H | N | 535 13 02-01 | A | | | | |
| 522 85 18-02 | H | N | 535 13 03-08 | A | | | | |
| 522 91 41-01 | G | N | 535 13 03-10 | ACDE | | | | |

N = New part, Neues teil, Nouvelle piece, Nueva pieza, Ny detalj

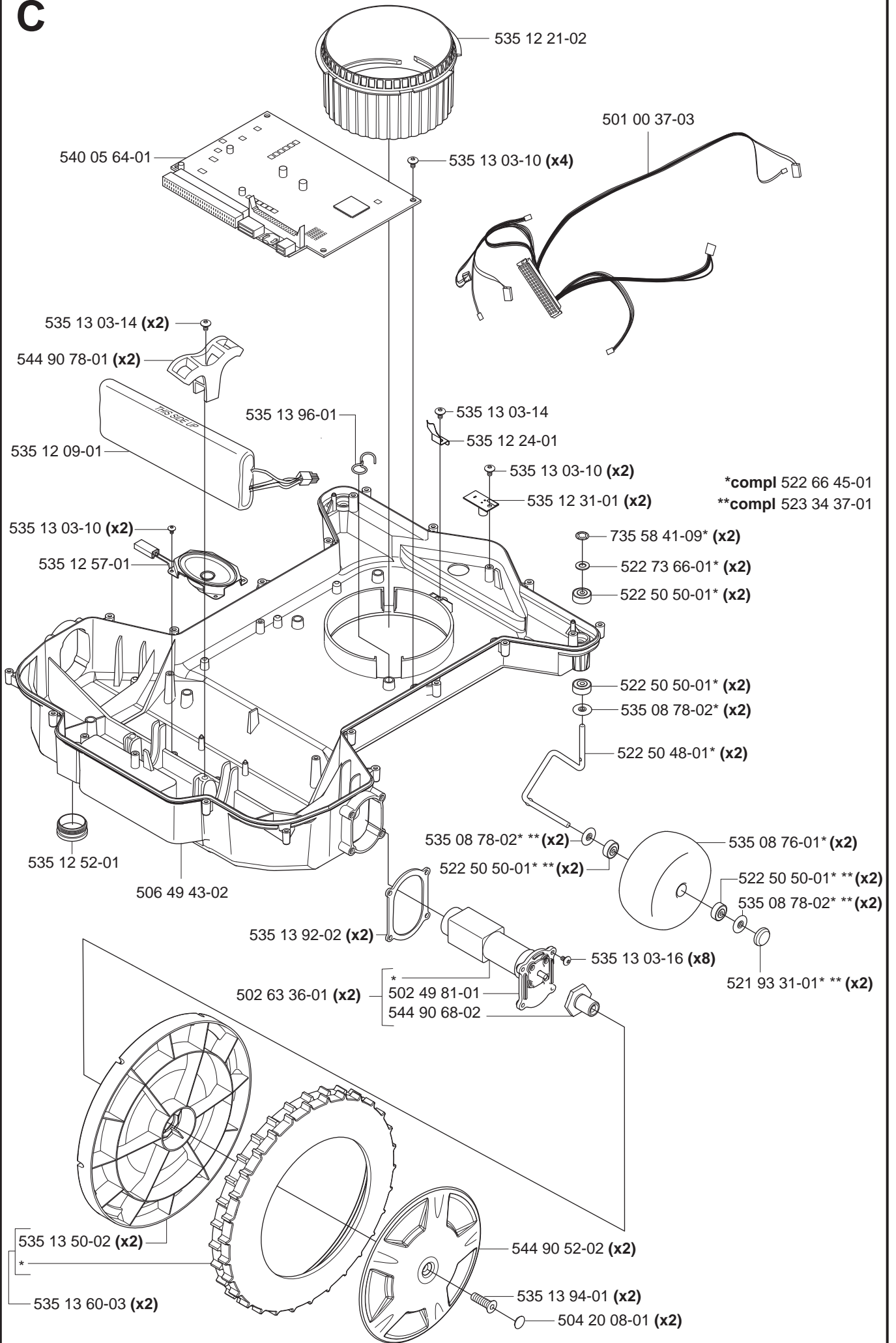
A



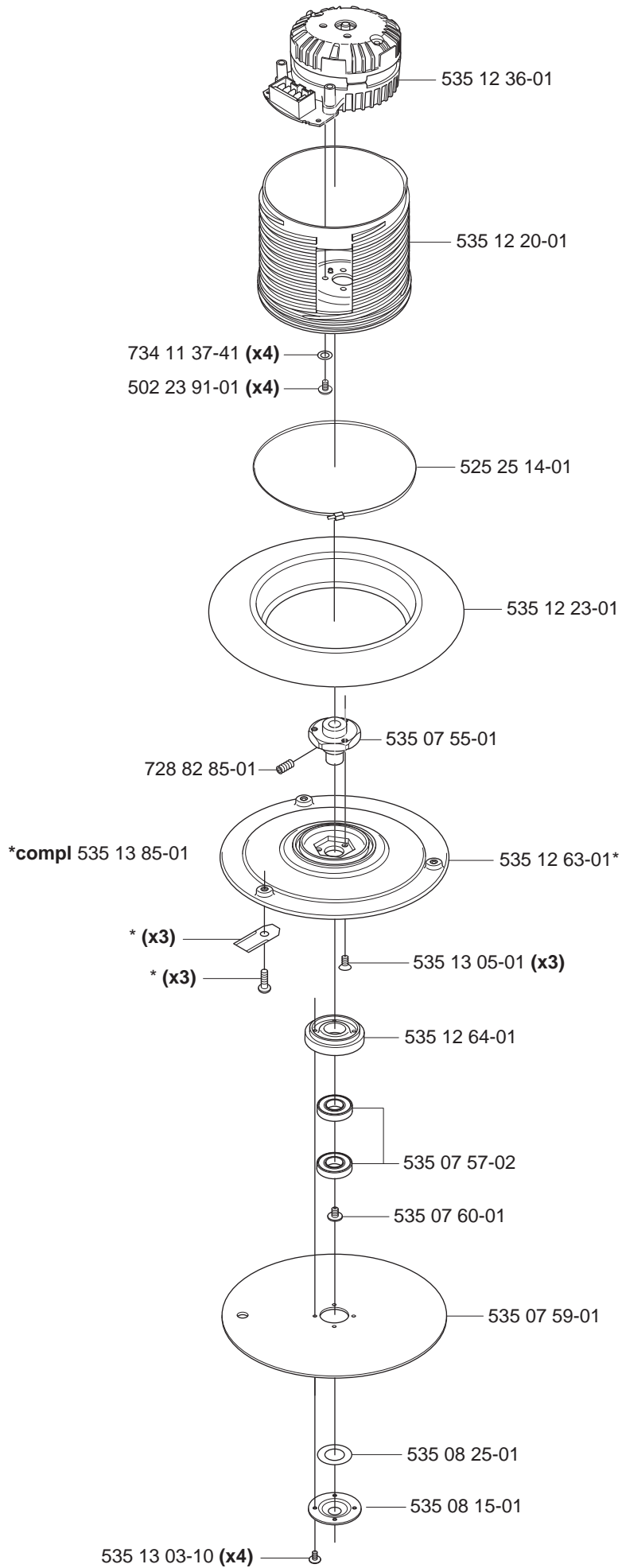
B

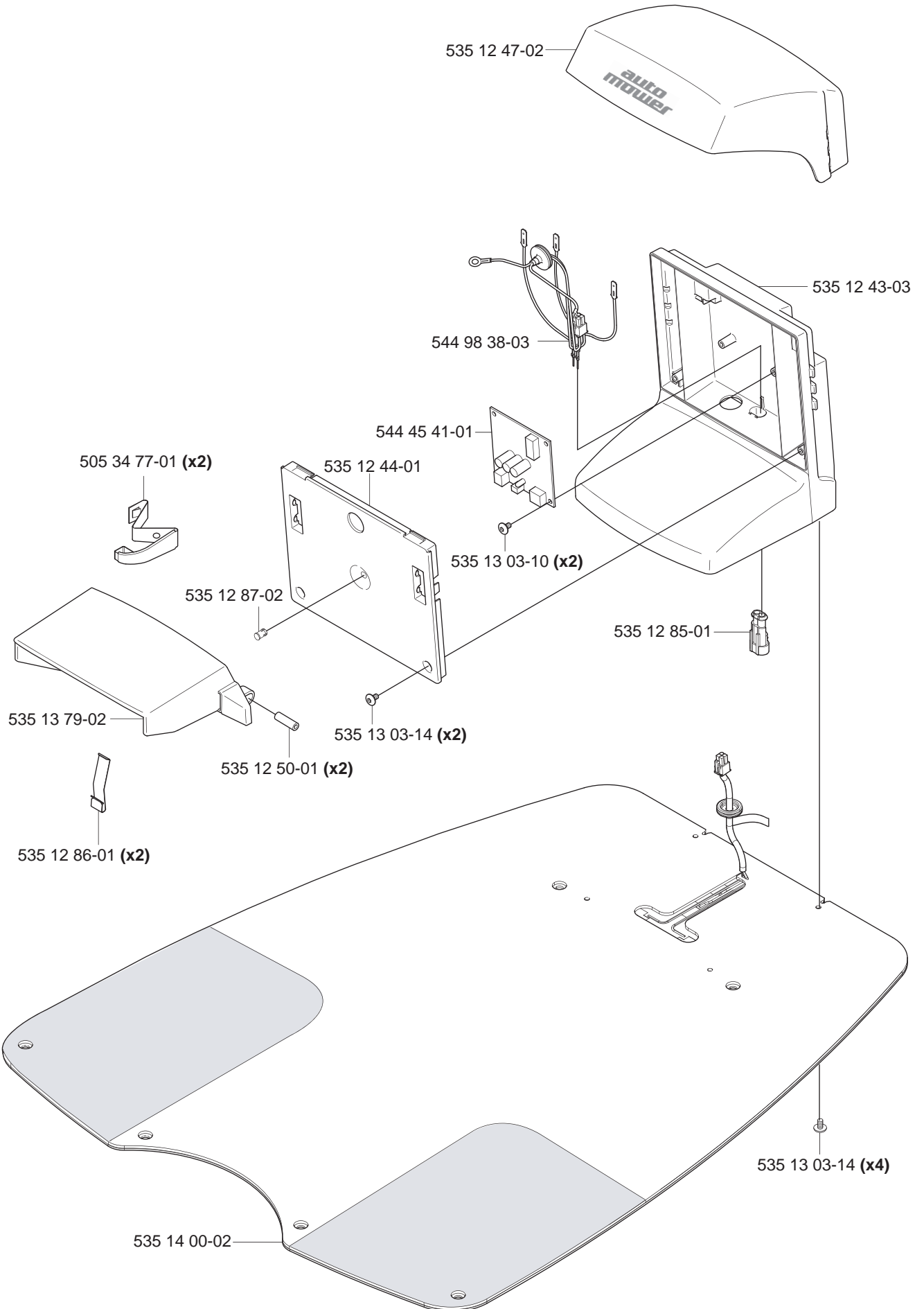


C

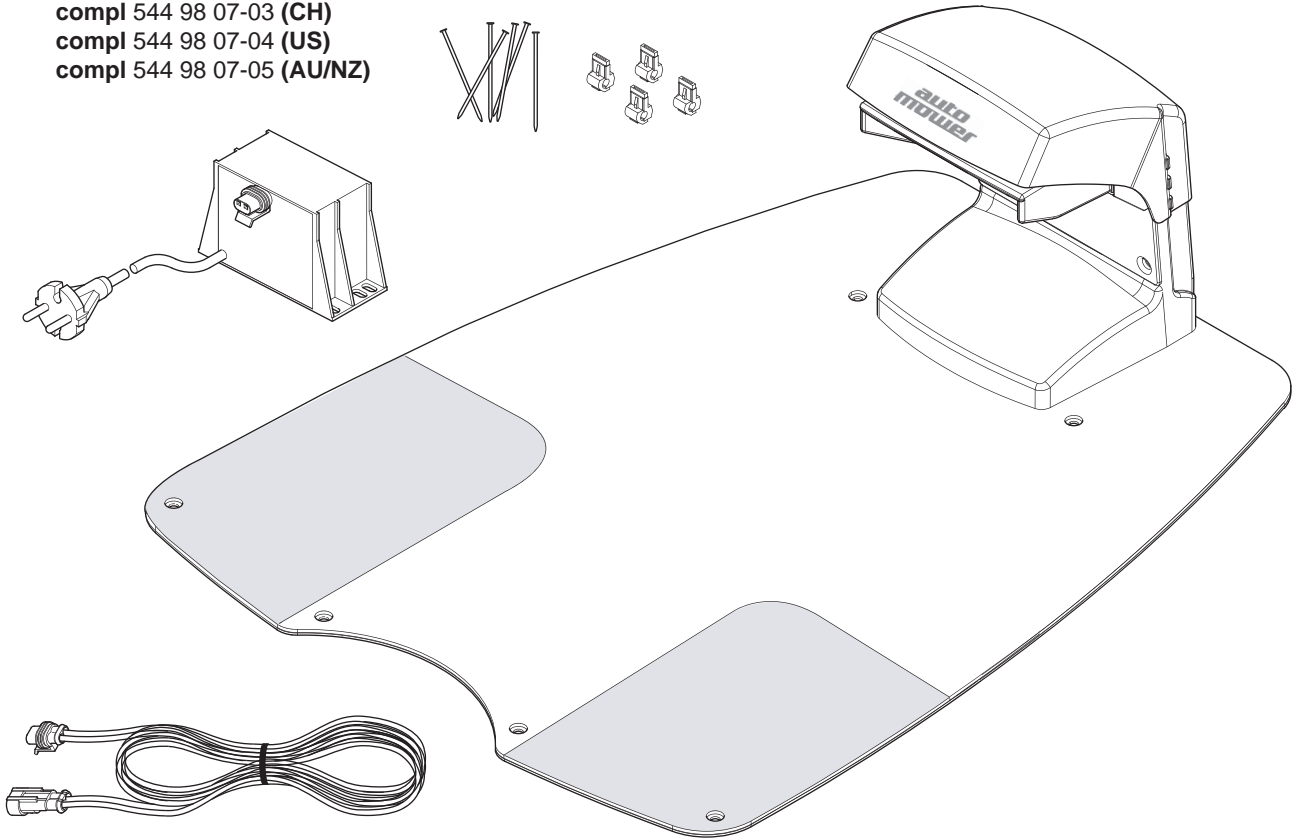


D

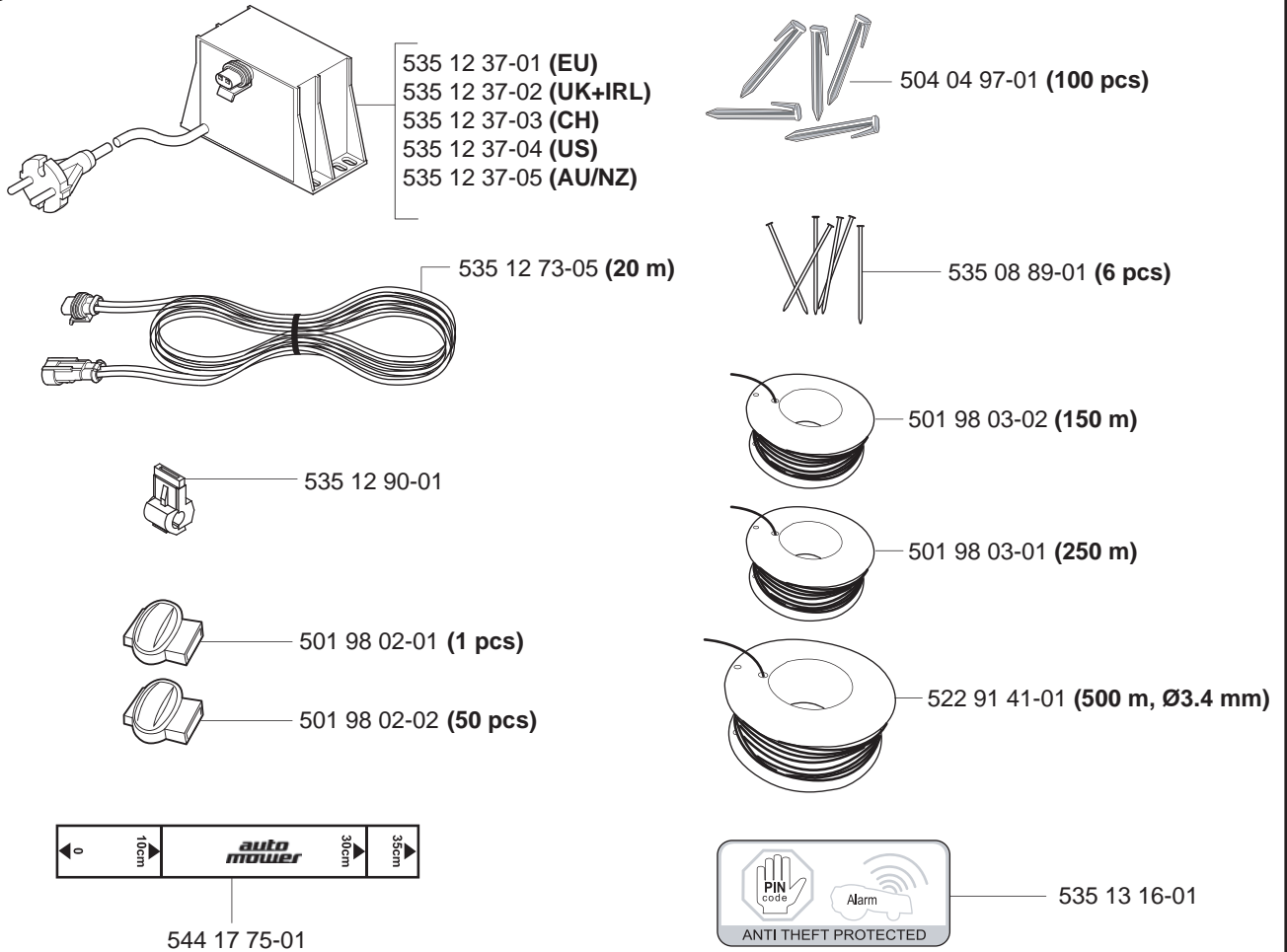




F compl 544 98 07-01 (EU)
 compl 544 98 07-02 (UK)
 compl 544 98 07-03 (CH)
 compl 544 98 07-04 (US)
 compl 544 98 07-05 (AU/NZ)



G



H Accessories Zubehöre Accessoires Accesorios Tillbehör

535 13 87-01 (9 pcs Original)

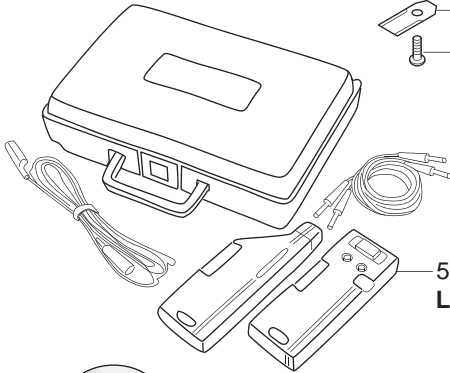
535 13 87-02 (9 pcs)

535 13 88-01 (30 pcs Original)

535 13 88-02 (30 pcs)

505 12 78-01 (500 pcs Original)

505 12 78-02 (500 pcs)

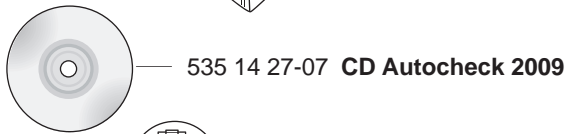


501 00 18-01
Loop wire interruption tester

522 85 16-02 (9 pcs)

522 85 17-02 (30 pcs)

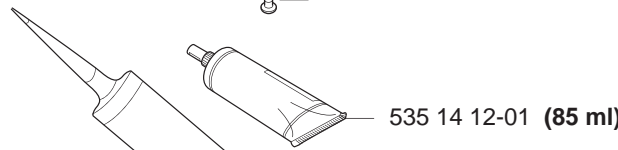
522 85 18-02 (300 pcs)



535 14 27-07 CD Autocheck 2009

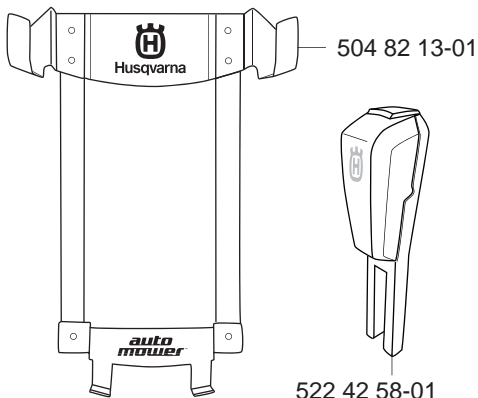


535 13 23-02 Automower-PC Cable (USB)



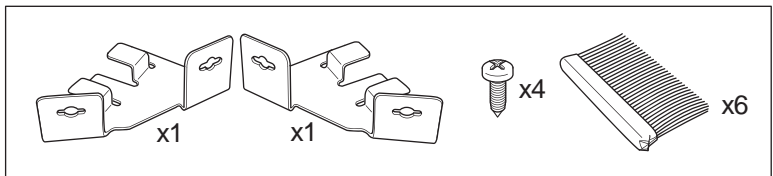
535 14 12-01 (85 ml)

535 14 12-02 (300 ml)



504 82 13-01

522 42 58-01
Signal booster



x1

x1

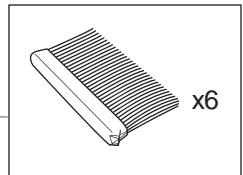
x4

x6

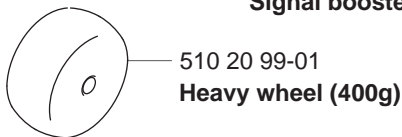


505 13 27-01

505 13 28-01



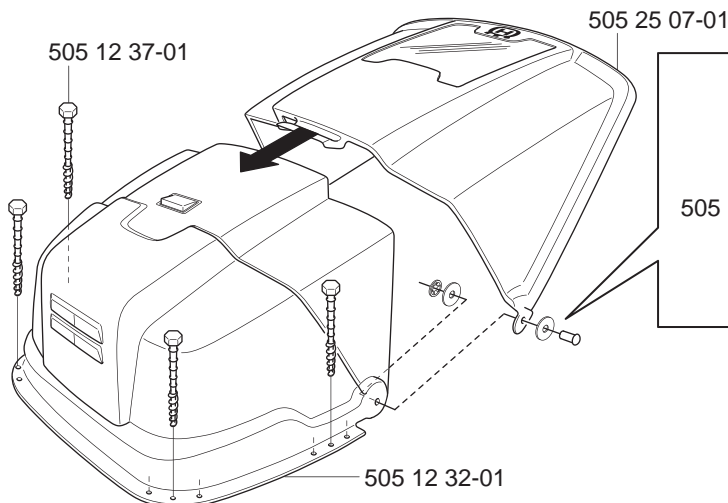
x6



510 20 99-01
Heavy wheel (400g)

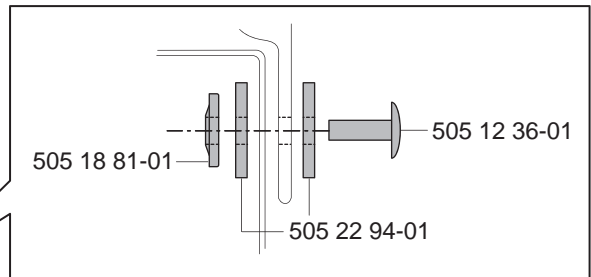
505 69 99-91 (Elux Green)
522 91 67-01 (HQ Blue)

compl 504 82 14-01



505 12 37-01

505 25 07-01



505 18 81-01

505 12 36-01

505 22 94-01

505 12 32-01



| | | |
|--|--------------|-------------|
| Quick Guide 220 AC & 230 ACX | 115 13 05-XX | (US is -26) |
| Quick Guide 210 C | 115 13 03-XX | (US is -26) |
| Quick Guide Solar Hybrid | 115 09 82-XX | (US is -26) |
| Owner's Manual 220 AC & 230 ACX | 115 13 04-XX | |
| Owner's Manual 210 C | 115 13 02-XX | |
| Owner's Manual Solar Hybrid | 115 09 81-XX | |
| Technical Handbook 2008 | 115 09 80-XX | |

| | |
|-----|-------------|
| -01 | Svenska |
| -06 | Dansk |
| -11 | Soumi |
| -21 | Norsk |
| -26 | GB English |
| -31 | Français |
| -32 | CA Français |
| -36 | Nederlands |
| -41 | Italiano |
| -46 | Español |
| -51 | Deutsch |
| -56 | Русский |
| -58 | Magyar |
| -61 | Polski |
| -63 | Eesti |
| -64 | Latviski |
| -65 | Lietuvių |
| -68 | Slovák |
| -84 | Slovenčina |
| -90 | Česky |
| -95 | US English |
| -96 | US Español |