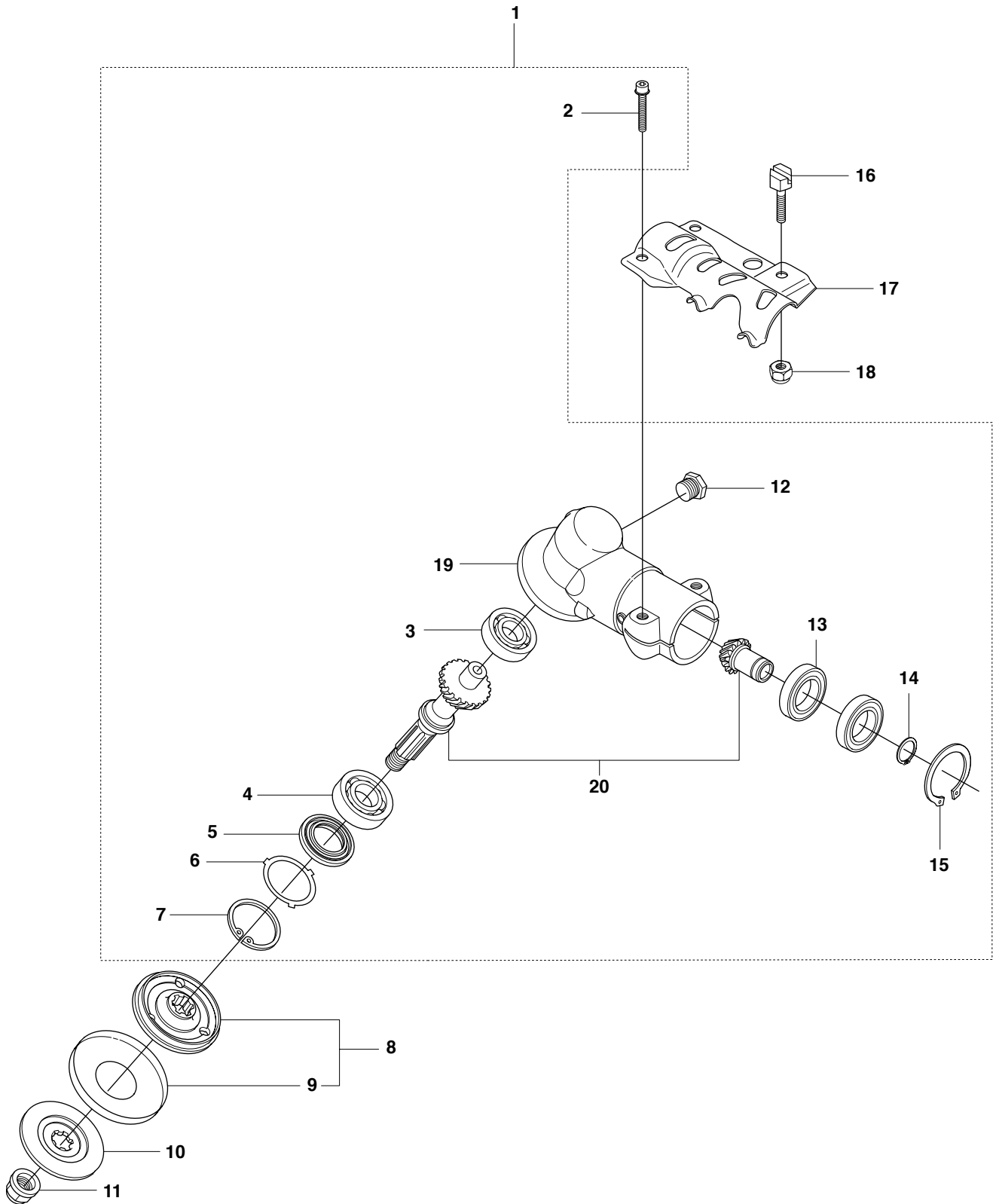




**343R    345RX**  
**343F    343FR**  
**345FX    345FXT**

**Spare parts**  
**Ersatzteile**  
**Pièces détachées**  
**Reserve onderdelen**  
**Repuestos**  
**Reservdelar**

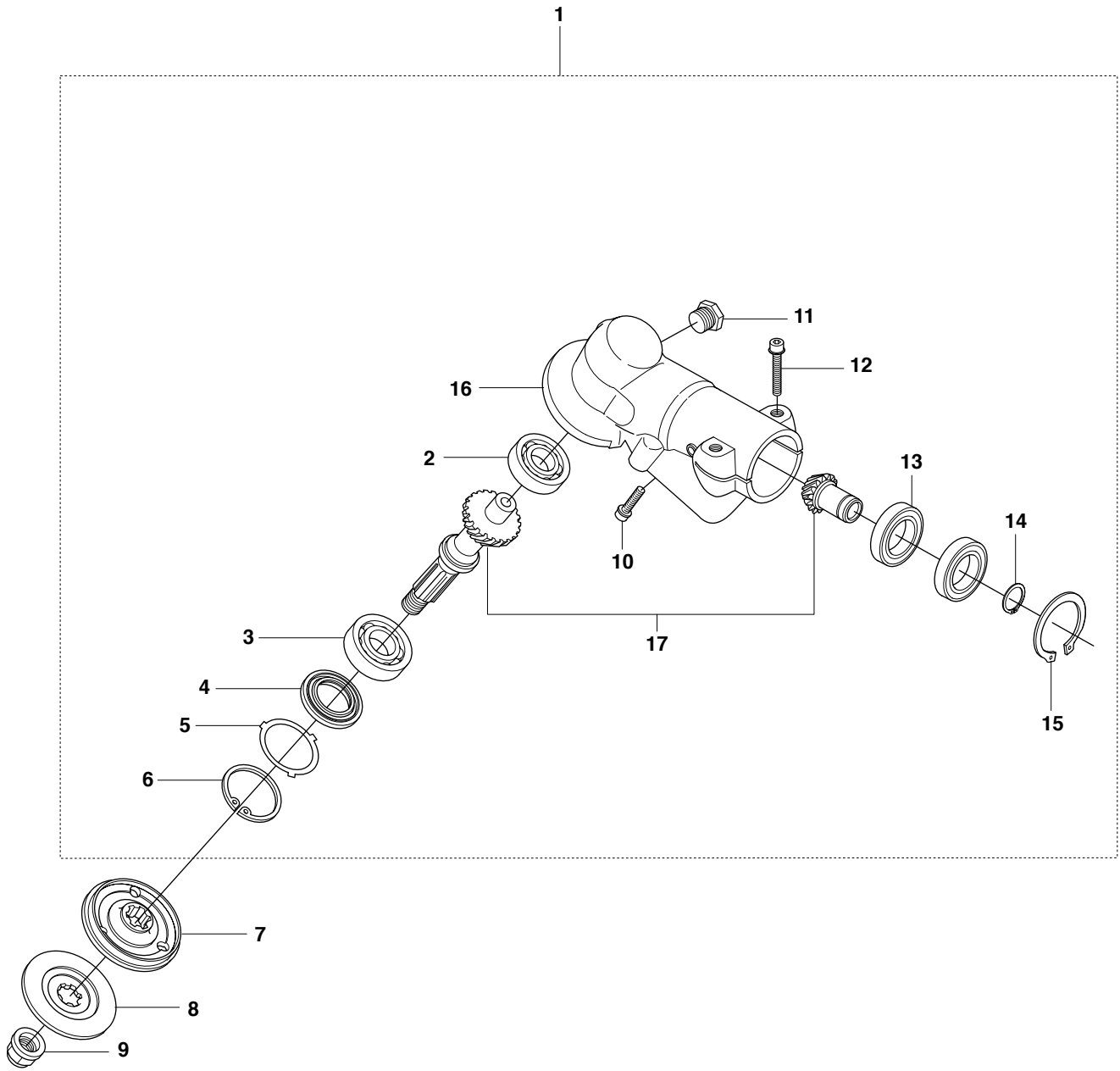
**A1** 343R, FR, 345RX, FX, FXT  
BEVEL GEAR



**BEVEL GEAR**

<b>Position</b>	<b>Article</b>	<b>Quantity</b>	<b>Notes</b>	<b>Kit</b>
1	502 23 52-01	1	R, Rx, FR	
2	503 20 02-25	2		1
3	738 21 01-10	1		1
4	503 25 08-01	1		1
5	503 26 17-01	1		1
6	503 75 89-01	1		1
7	735 31 33-10	1		1
8	537 35 14-01	1	1"	
9	537 29 24-01	1		8
10	544 21 78-01	1		
11	502 29 11-01	1		
12	503 20 15-01	1		1
13	738 21 87-12	2		1
14	735 31 17-00	1		1
15	735 31 31-10	1		1
16	537 18 95-01	1		
17	503 95 45-01	1		
18	732 21 16-01	1		
19	502 23 51-01	1		1
20	537 29 07-01	1		1

**A2** 343F, FR, 345FX, FXT  
BEVEL GEAR



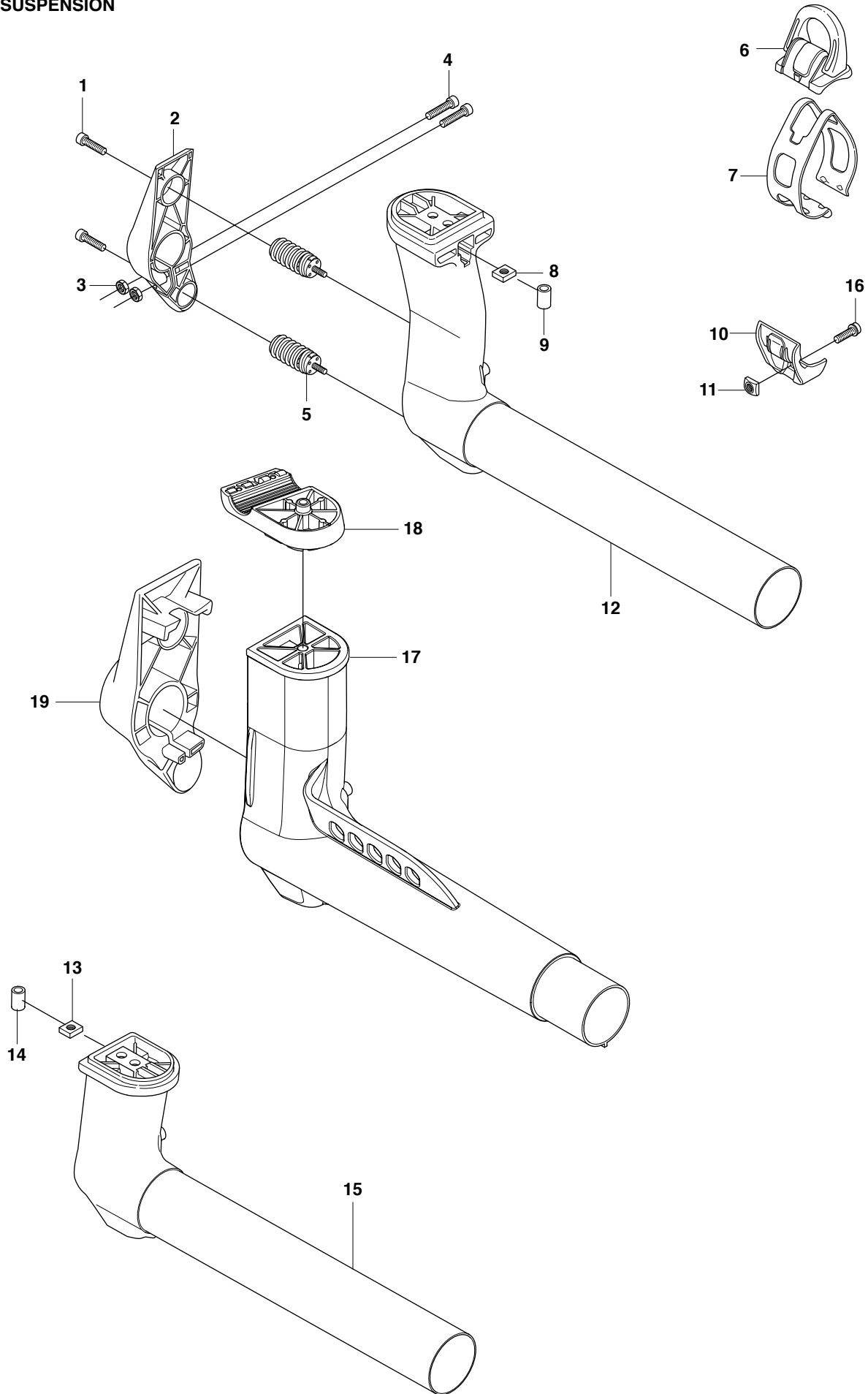
BEVEL GEAR

Position	Article	Quantity	Notes	Kit
1	502 29 78-01	1	F, Fx, FxT	
2	738 21 01-10	1		1
3	503 25 08-01	1		1
4	503 26 17-01	1		1
5	503 75 89-01	1		1
6	735 31 33-10	1		1
7	544 19 78-01	1	1"	
8	544 21 78-01	1		
9	502 29 11-01	1		
10	503 20 03-16	4		1
11	503 20 15-01	1		1
12	503 20 02-25	2		1
13	738 21 87-12	2		1
14	735 31 17-00	1		1
15	735 31 31-10	1		1
16	502 29 79-01	1		1
17	537 29 06-01	1		1



Position	Article	Quantity	Notes	Kit
1	537 27 92-03	1	F, Fx, FxT    L=1354 ø32,2	
1	537 27 92-08	1	R, Rx        L=1465 ø32,2	
1	537 27 92-10	1	FR            L=1384 ø32,2	
2	544 02 94-01	1		1
3	506 11 03-01	1		1
4	537 30 98-01	1		1
5	537 30 97-01	1		1
6	544 02 94-01	1	F, FR, Fx, FxT	1
7	537 18 31-04	1	F, Fx, FxT, R, Rx	1
7	537 18 31-05	1	FR	1
8	503 95 54-01	1	F, Fx, FxT    L=1401 ø9, hollowed	
8	503 95 54-02	1	R, Rx        L=1512 ø9, hollowed	
8	503 92 44-01	1	F, Fx, FxT    L=1401 ø9, solid	
8	503 92 44-02	1	R, Rx        L=1512 ø9, solid	
8	503 92 44-03	1	FR            L=1431 ø9, solid	
9	537 29 47-07	1		
9	537 29 47-03	1	US, Can	

**C** 343R, F, FR, 345RX, FX, FXT  
SUSPENSION



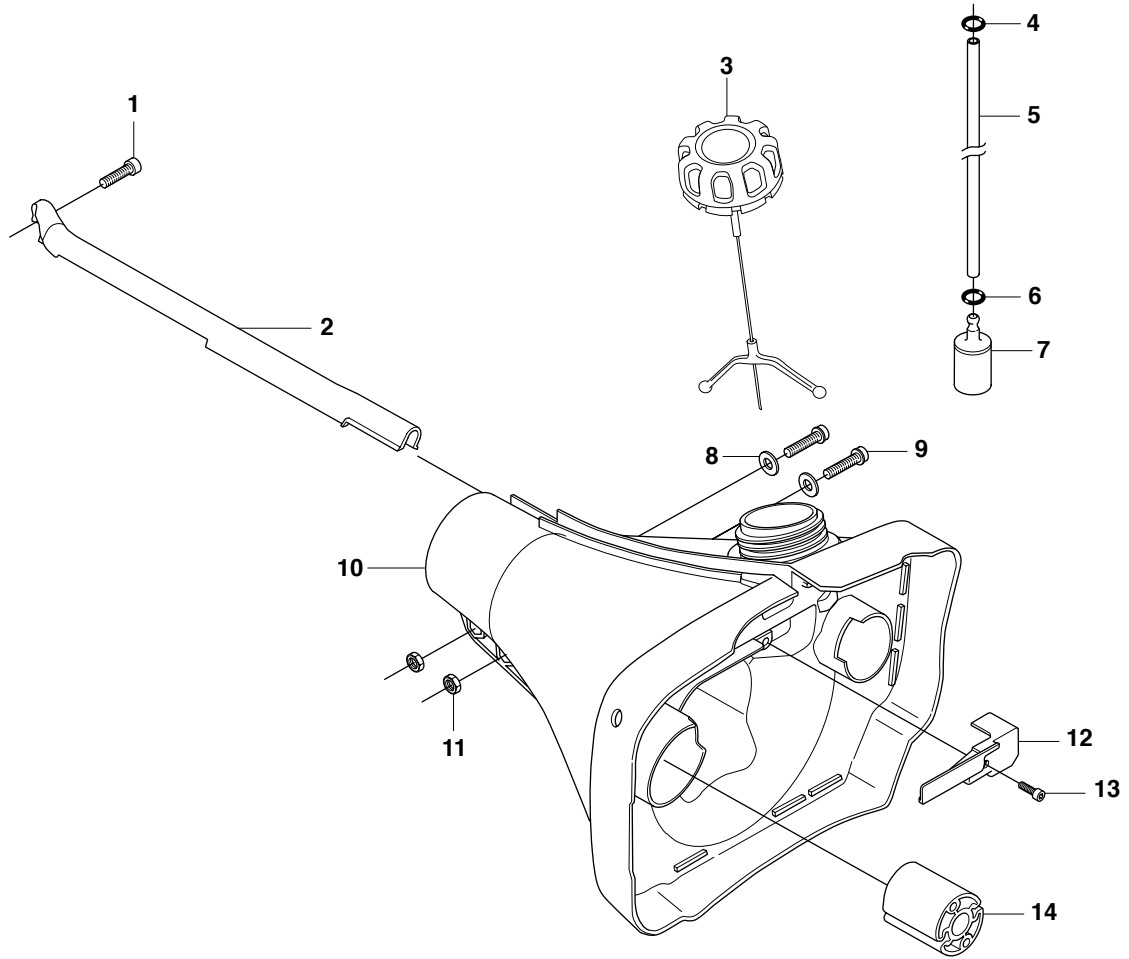


**Page C**    343R, F, FR  
345RX, FX, FXT

**SUSPENSION**

<b>Position</b>	<b>Article</b>	<b>Quantity</b>	<b>Notes</b>	<b>Kit</b>
1	503 20 02-16	2		
2	503 95 53-04	1		
3	503 22 10-12	2		
4	503 20 02-25	2		
5	537 29 97-01	2		
6	537 20 18-01	1		
7	537 19 79-01	1		
8	502 19 71-01	1		
9	503 85 73-02	1		
10	537 27 11-02	1		
11	503 22 65-01	1		
12	537 19 89-05	1	R, Rx, Magnesium	
13	502 19 71-01	1		
14	503 85 73-02	1		
15	503 95 59-06	1	F, Fx, FxT, FR, Magnesium	
16	503 20 02-20	1		
17	515 97 98-01	1	R, Composit	
18	502 43 36-01	1	R	
19	502 43 35-01	1	R	

**D** 343R, F, FR, 345RX, FX, FXT  
FUEL TANK

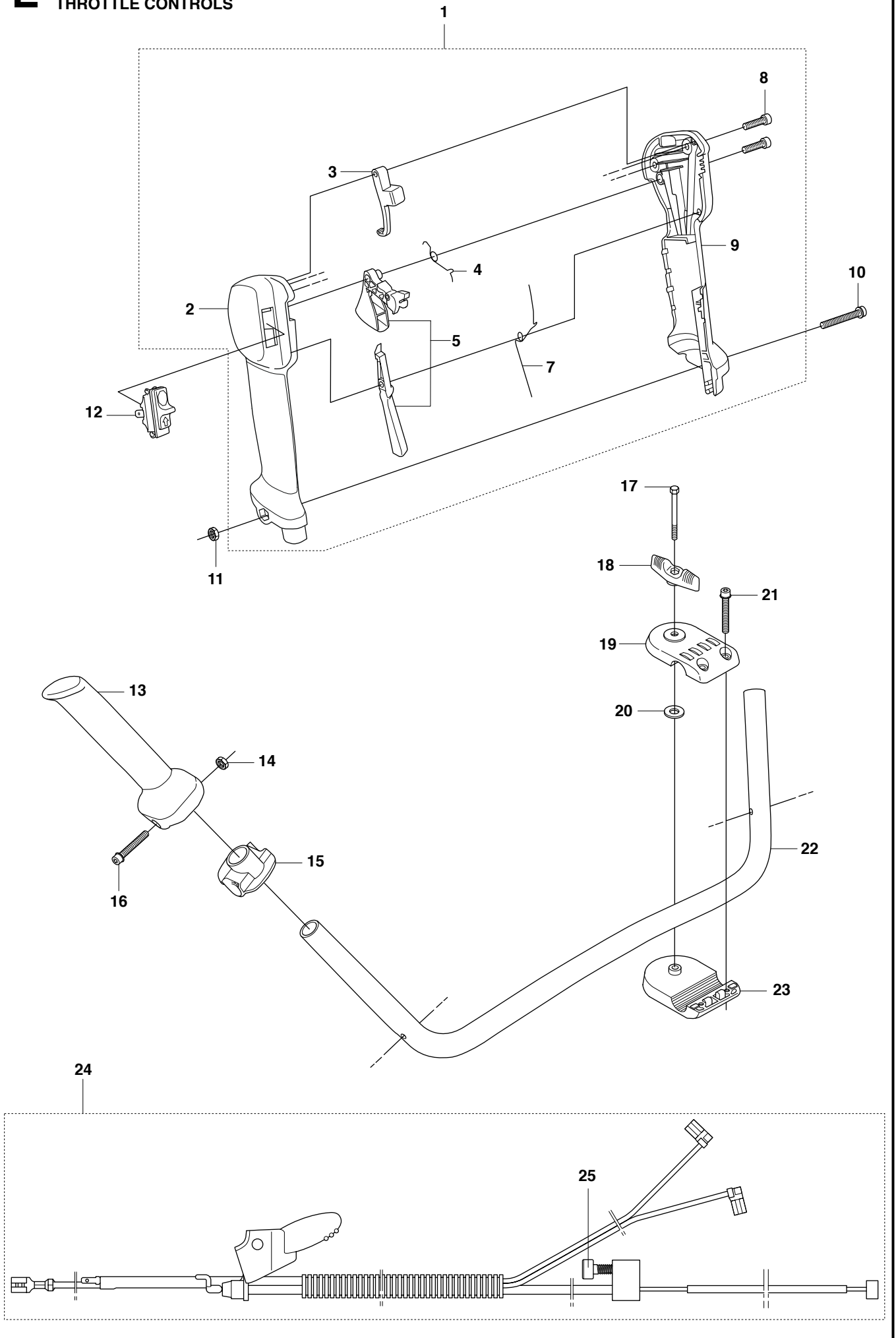


**Page D** 343R, F, FR  
345RX, FX, FXT

**FUEL TANK**

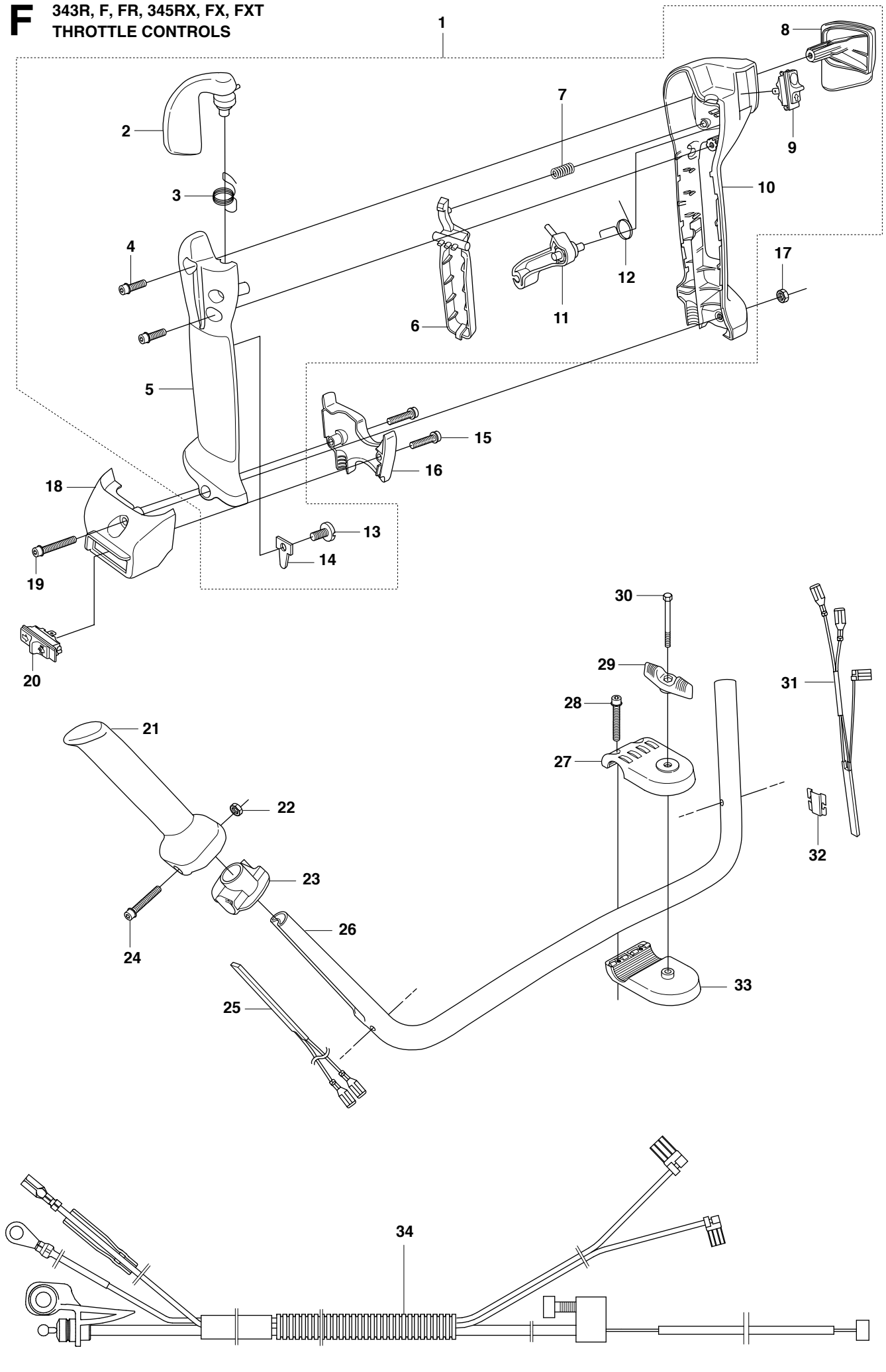
<b>Position</b>	<b>Article</b>	<b>Quantity</b>	<b>Notes</b>	<b>Kit</b>
1	503 20 02-16	1		
2	537 17 25-02	1	F, Fx, FxT, FR	
2	537 17 25-01	1	R, Rx	
3	544 07 69-02	1		
4	537 18 49-01	1		
5	544 32 49-33	1		
6	537 18 49-01	1		
7	503 44 32-01	1		
8	503 23 00-11	2		
9	503 20 02-16	2		
10	503 94 93-01	1		
11	503 22 10-12	2		
12	537 21 99-01	1		
13	503 21 71-16	1		
14	510 20 87-01	2		

**E** 343R, F, FR, 345RX, FX, FXT  
THROTTLE CONTROLS



Position	Article	Quantity	Notes	Kit
1	504 20 98-04	1	FR, R, Rx	
2	537 18 07-11	1		1
3	537 16 07-01	1		1
4	537 17 42-01	1		1
5	506 49 77-01	1		1
7	537 17 43-01	1		1
8	503 21 66-18	2		1
9	537 18 08-11	1		1
10	503 20 07-35	1		
11	503 22 10-13	1		
12	537 41 90-01	1		
13	537 17 28-03	1		
14	731 23 14-05	1		
15	537 17 29-02	1		
16	503 20 02-45	1		
17	725 23 84-85	1		
18	502 20 38-01	1		
19	537 12 90-01	1		
20	502 28 21-01	1		
21	503 20 02-25	2		
22	505 43 33-03	1		
23	537 12 91-01	1		
24	544 97 78-01	1	R, Rx	
24	544 97 78-02	1	FR	
25	503 21 66-16	1		24

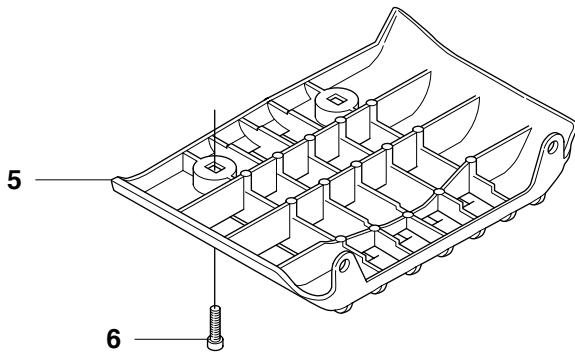
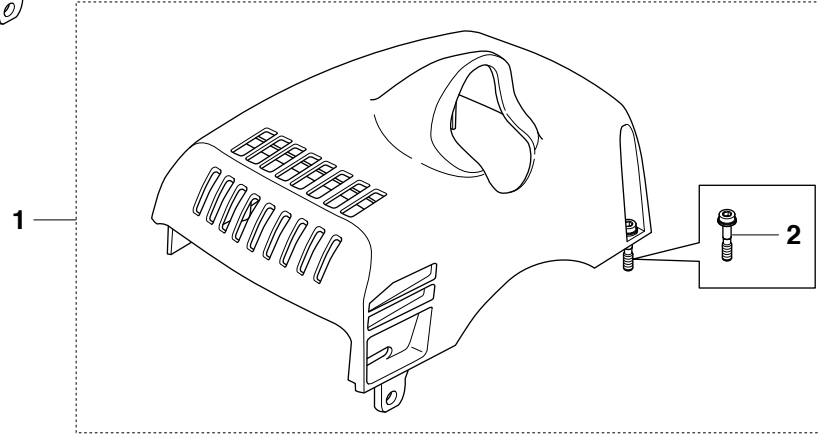
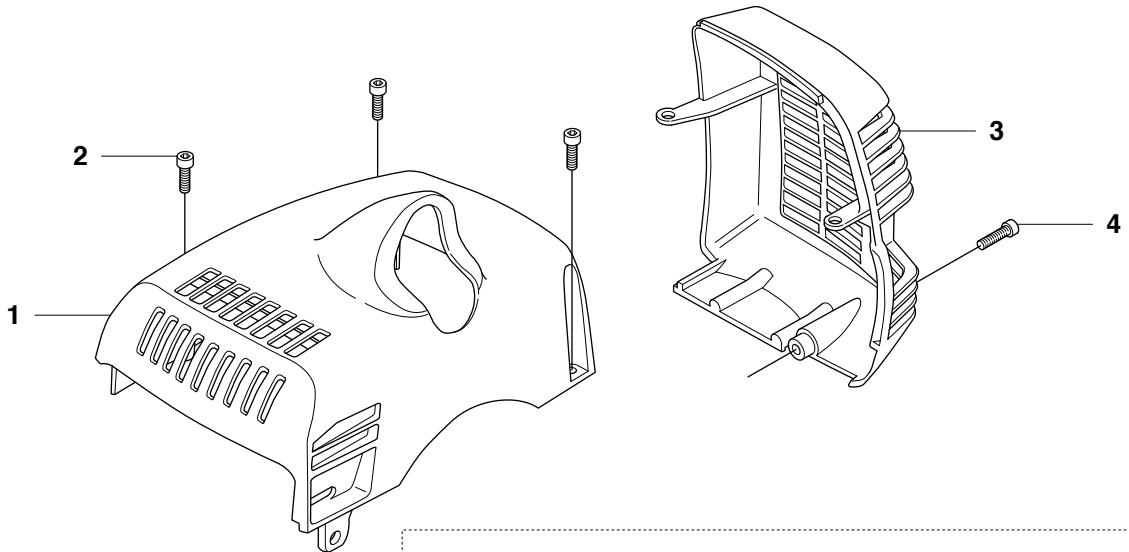
**F** 343R, F, FR, 345RX, FX, FXT  
THROTTLE CONTROLS









**Page F**      **343R, F, FR**      **THROTTLE CONTROLS**  
**345RX, FX, FXT**

<b>Position</b>	<b>Article</b>	<b>Quantity</b>	<b>Notes</b>	<b>Kit</b>
1	537 19 72-13	1	F, Fx, FxT	
2	537 26 34-01	1		1
3	537 28 37-01	1		1
4	503 21 75-20	2		1
5	537 15 53-01	1		1
6	537 15 56-01	1		1
7	537 19 97-01	1		1
8	537 18 24-01	1		1
9	537 41 90-01	1		1
10	537 15 52-01	1		1
11	537 26 35-01	1		1
12	537 34 27-01	1		1
13	503 21 70-10	1		1
14	537 25 11-01	1		1
15	503 21 71-20	2	FxT	
16	537 20 16-01	1	FxT	
17	731 23 14-05	1		
18	537 20 15-01	1	FxT	
19	503 20 02-35	1	F, Fx	
19	503 20 02-45	1	FxT	
20	503 71 82-02	1	FxT	
21	537 17 28-05	1	F, Fx, FxT	
22	731 23 14-05	1		
23	537 17 29-02	1		
24	503 20 02-45	1		
25	537 22 72-01	1	FxT	
26	503 95 86-01	1	F, Fx	
26	503 95 86-02	1	FxT	
27	537 12 90-02	1		
28	503 20 02-25	2		
29	502 20 38-01	1		
30	725 23 82-85	1		
31	537 22 71-01	1	FxT	
32	537 26 51-01	2	FxT	
33	537 12 91-01	1		
34	505 16 55-02	1	FxT	
34	505 16 55-01	1	F, Fx	

**G** 343R, F, FR, 345RX, FX, FXT  
COVERS



- 12 —  **Husqvarna**  
E-tech X-Series  
**345FR**
- 11 —  **Husqvarna**  
E-tech X-Series  
**345R**
- 10 —  **Husqvarna**  
**343R**
- 9 —  **Husqvarna**  
E-tech XT-Series  
**345F**
- 8 —  **Husqvarna**  
E-tech X-Series  
**345F**
- 7 —  **Husqvarna**  
**343F**

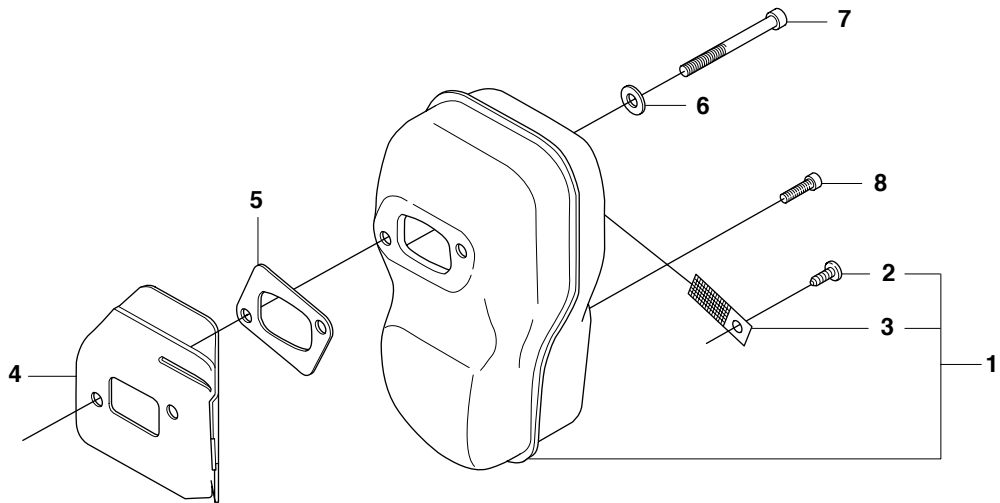


**Page G** 343R, F, FR  
345RX, FX, FXT

**COVERS**

<b>Position</b>	<b>Article</b>	<b>Quantity</b>	<b>Notes</b>	<b>Kit</b>
1	503 94 75-03	1		
1	575 58 02-01	1	Screw incl.	
2	503 20 03-02	3		
2	574 47 70-04	3	Fixed	1
3	503 94 77-01	1		
4	503 20 03-02	1		
5	537 16 61-01	1		
6	503 20 03-02	2		
7	537 35 68-01	1	F	
8	537 35 68-02	1	Fx	
9	537 35 68-03	1	FxT	
10	537 35 68-04	1	R	
11	537 35 68-05	1	Rx	
12	537 35 68-07	1	FR	

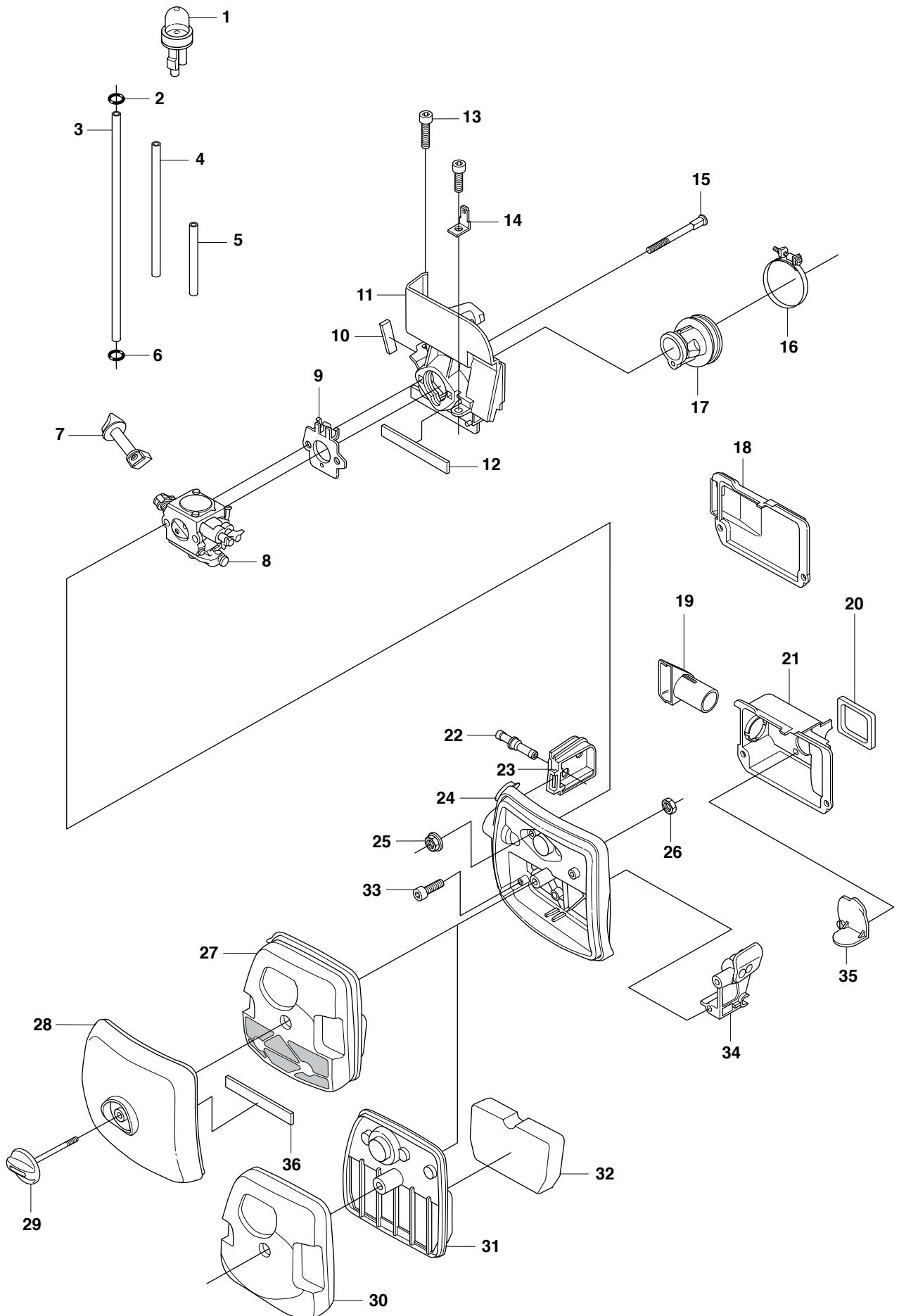
**H** 343R, F, FR, 345RX, FX, FXT  
MUFFLER



**Page H**    343R, F, FR  
              345RX, FX, FXT

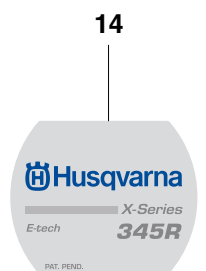
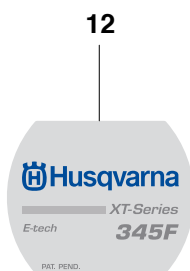
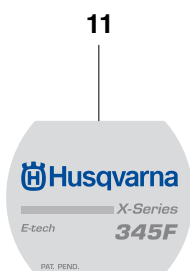
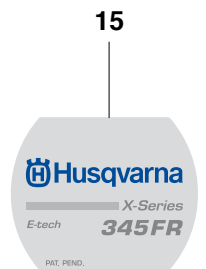
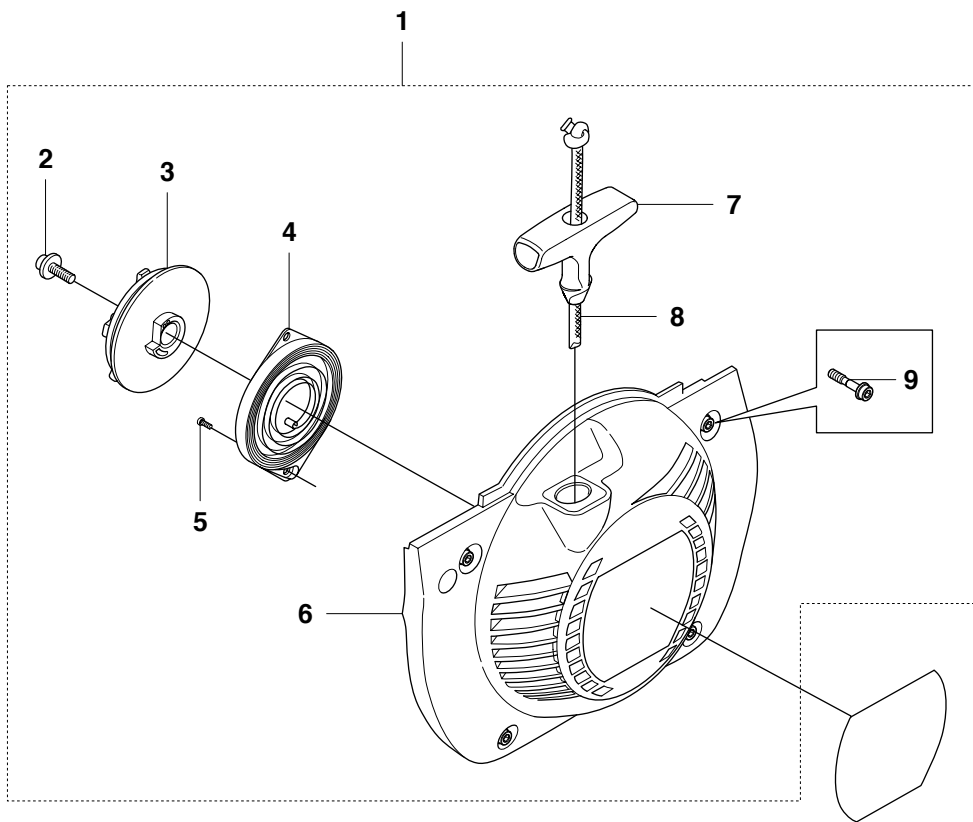
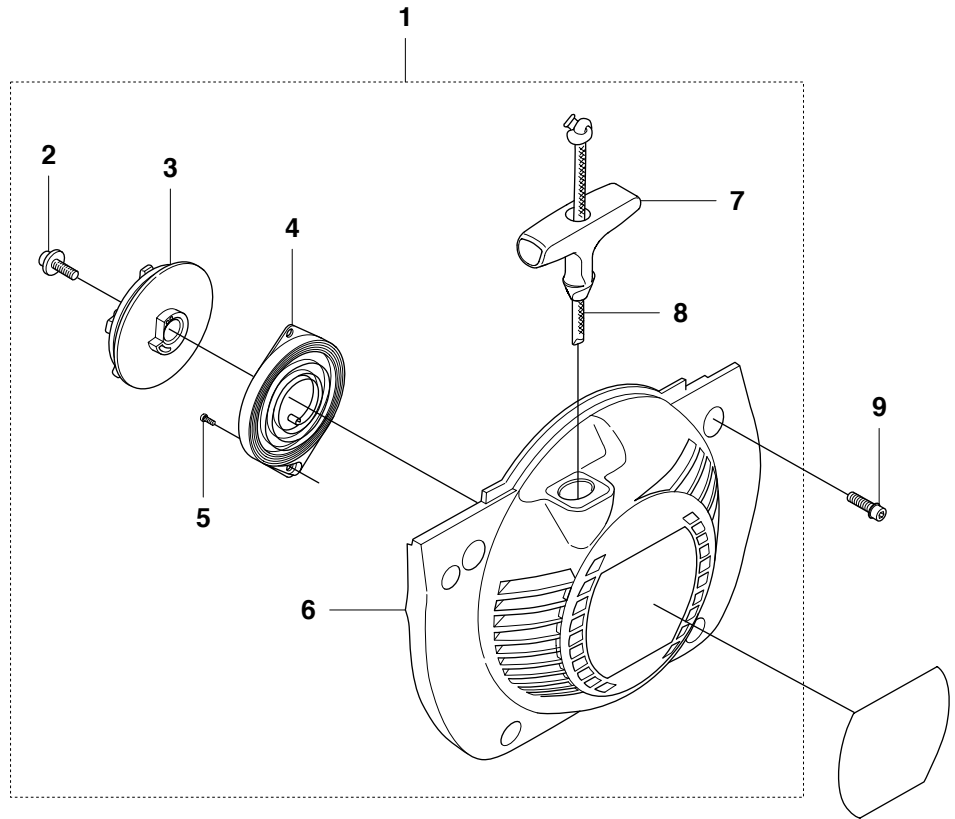
**MUFFLER**

<b>Position</b>	<b>Article</b>	<b>Quantity</b>	<b>Notes</b>	<b>Kit</b>
1	503 94 90-01	1	CAT	
1	503 94 90-02	1		
2	724 12 87-59	1		1
3	537 27 09-01	1		1
4	537 22 85-01	1		
5	537 19 87-01	1		
6	503 23 04-02	2		
7	503 20 29-70	2		
4	503 20 03-02	1		

**J****343R, F, FR, 345RX, FX, FXT  
AIRFILTER HOLDER**

Position	Article	Quantity	Notes	Kit
1	503 93 66-01	1		
2	537 18 49-01	1		
3	544 32 49-23	1	L=160 mm	
4	537 04 24-01	1	L=102 mm	
5	537 05 23-03	1	L=35 mm	
6	537 18 49-01	1		
7	537 11 00-01	1		
8	503 28 31-16	1	Zama C1Q-EL21	
8	503 28 31-18	1	Zama C1Q-EL23, 343R South America	
9	537 11 01-01	1		
10	537 22 96-02	1		
11	537 30 02-01	1		
12	537 22 96-01	1		
13	503 20 03-20	1		
14	503 23 88-02	1		
15	544 08 20-02	2		
16	503 56 00-09	1		
17	503 95 83-01	2		
18	537 27 61-01	1	FR, R, Rx	
19	537 14 15-01	1	F, Fx, FxT	
20	537 30 93-01	1	F, Fx, FxT	
21	537 10 99-02	1	F, Fx, FxT	
22	537 28 46-01	1		
23	537 16 59-01	1		
24	503 95 81-01	1		
25	731 71 14-51	1		
26	731 23 14-05	1		
27	537 38 11-01	2	μ80 Black F, Fx, FxT	
28	537 30 76-02	2		
29	537 21 32-12	1		
30	503 95 80-01	1	R, Rx, FR	
31	503 95 79-01	1	R, Rx, FR	
32	537 42 71-01	1	R, Rx, FR	
33	503 20 03-20	1		
34	537 14 13-01	1		
35	537 14 14-01	2	F, Fx, FxT, FR	
36	537 22 96-03	1		

**K** 343R, F, FR, 345RX, FX, FXT  
STARTER

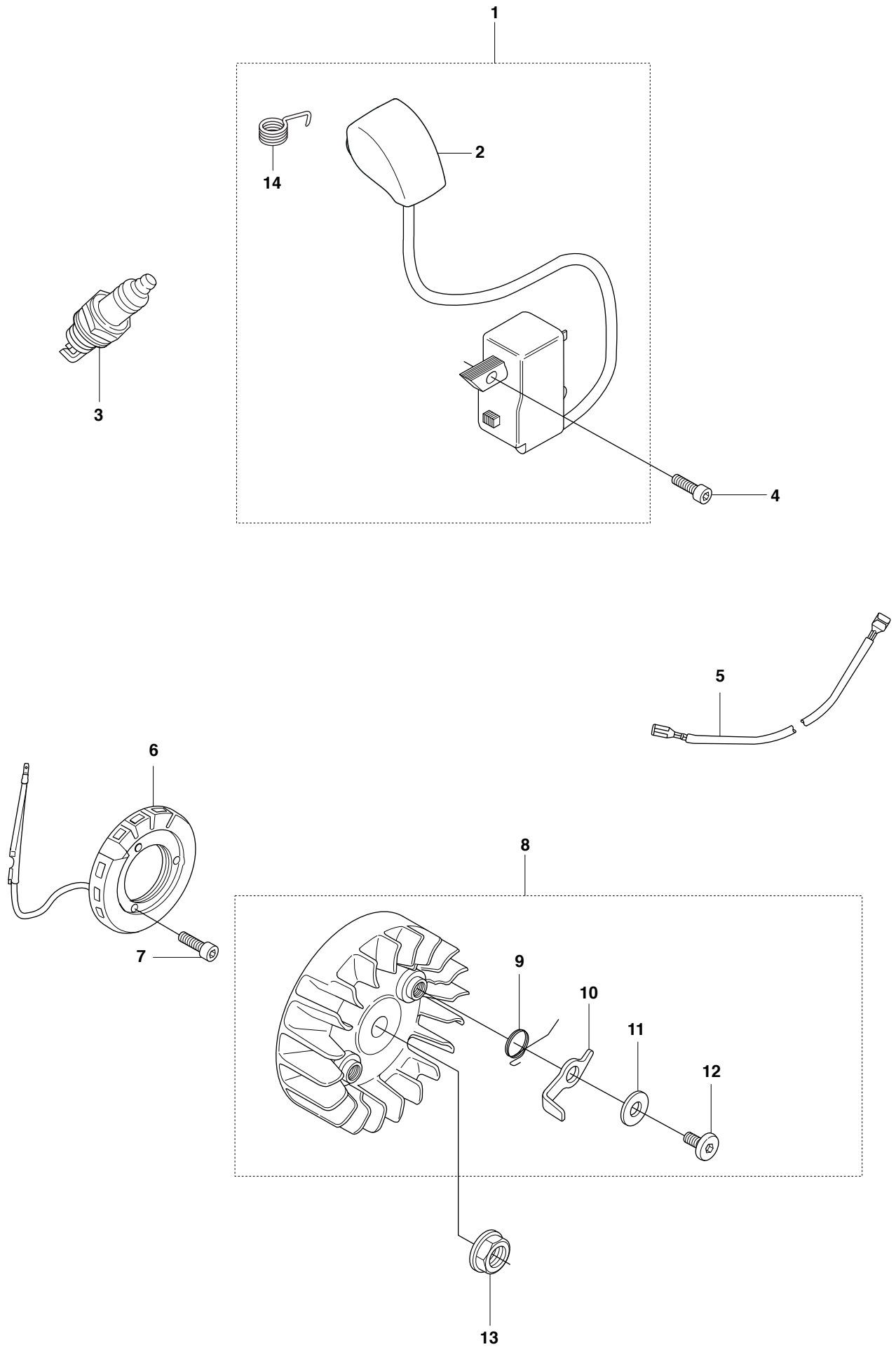


**Page K**    343R, F, FR  
              345RX, FX, FXT

**STARTER**

<b>Position</b>	<b>Article</b>	<b>Quantity</b>	<b>Notes</b>	<b>Kit</b>
1	503 94 78-02	1		
1	575 58 10-01	1		
2	503 21 69-16	1		1
3	503 95 73-01	1		1
4	502 20 06-01	1		1
5	503 21 29-06	2		1
6	503 94 79-01	1		1
6	575 58 05-01	1	Screw incl.	1
7	503 54 39-01	1		1
8	505 30 51-25	1		1
9	503 20 03-02	4		
9	574 47 70-03	4	Fixed	1, 6
10	537 35 59-01	1	F	
11	537 35 59-02	1	Fx	
12	537 35 59-03	1	FxT	
13	537 35 59-04	1	R	
14	537 35 59-05	1	Rx	
15	537 35 59-14	1	FR	

**L** 343R, F, FR, 345RX, FX, FXT  
IGNITION



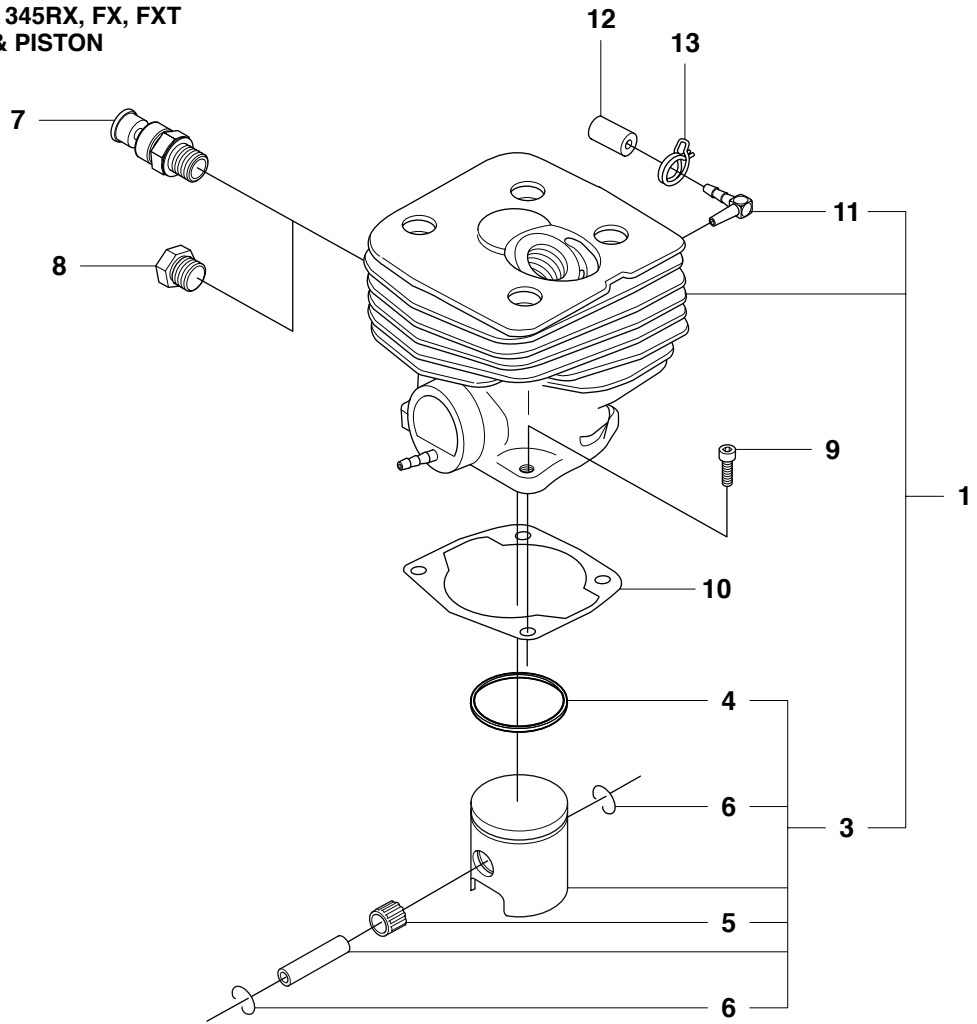


**Page L**    **343R, F, FR**  
**345RX, FX, FXT**

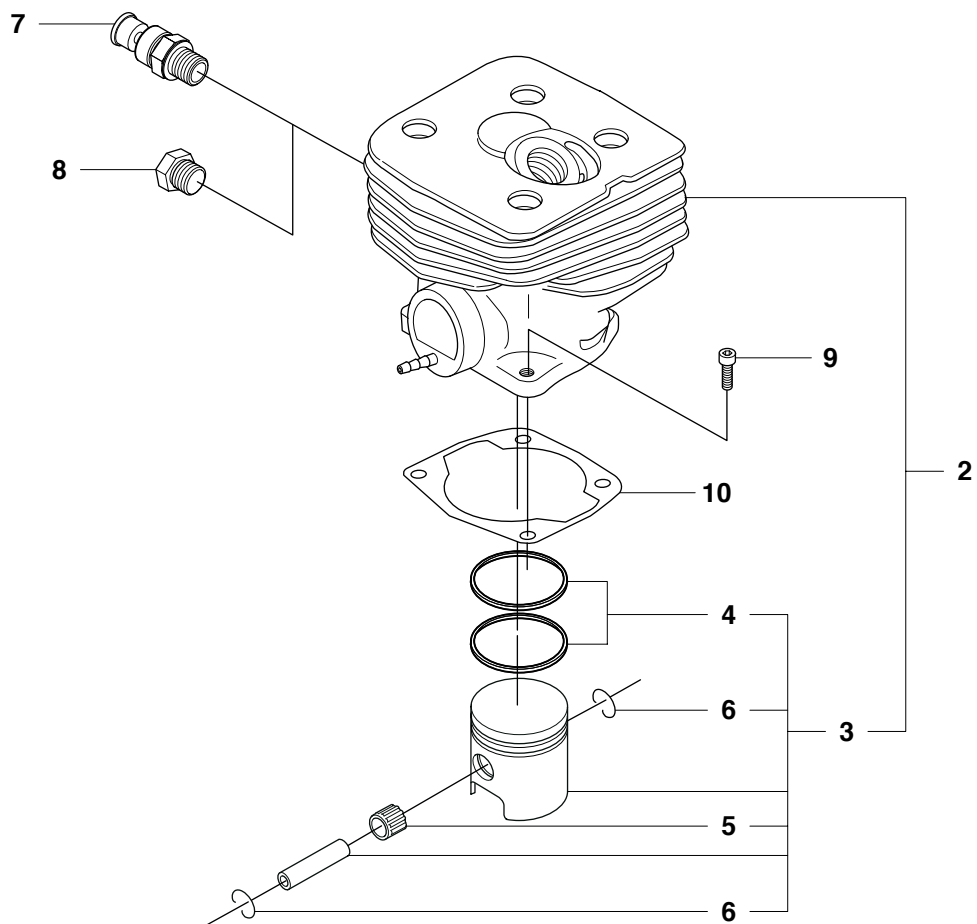
**IGNITION**

<b>Position</b>	<b>Article</b>	<b>Quantity</b>	<b>Notes</b>	<b>Kit</b>
1	501 00 13-01	1	F, Fx, FxT	
1	501 00 13-02	1	R, Rx, FR	
2	537 23 73-01	1		1
3	503 23 51-09	1	Champion RCJ 6Y	
4	503 20 25-16	2		
5	537 39 10-01	1		
6	537 25 63-01	1	FxT	
7	503 21 66-18	2	FxT	
8	503 95 33-01	1	F, Fx, R, Rx, FR	
8	503 95 33-02	1	FxT	
9	503 81 29-01	2		8
10	503 81 24-01	2		8
11	503 23 00-42	2		8
12	501 81 99-03	2		8
13	503 22 04-01	1		
14	501 48 56-01	1		1

**M** 343R, F, FR, 345RX, FX, FXT  
CYLINDER & PISTON



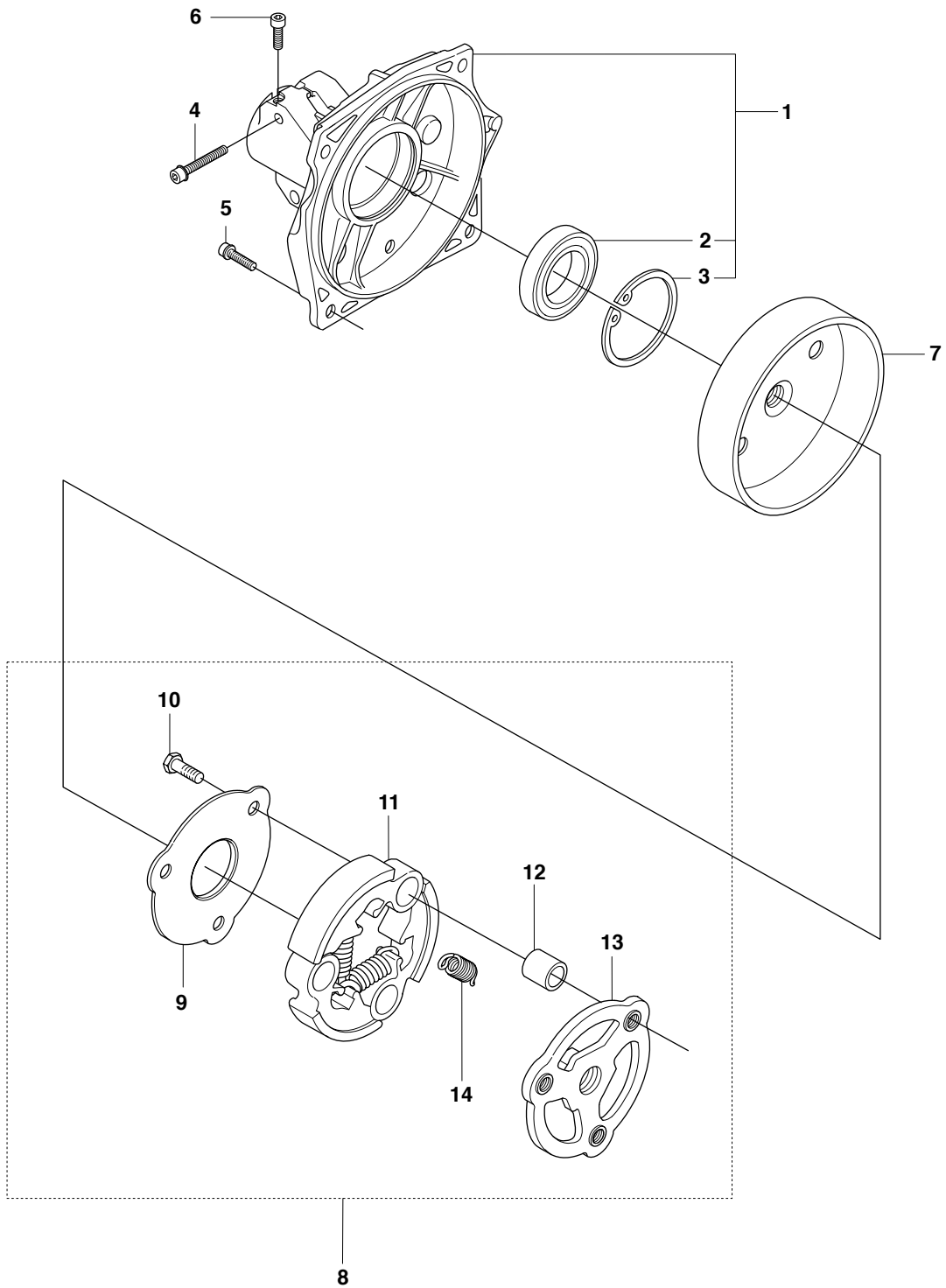
**M**



**Page M** 343R, F, FR  
345RX, FX, FXT

**CYLINDER & PISTON**

<b>Position</b>	<b>Article</b>	<b>Quantity</b>	<b>Notes</b>	<b>Kit</b>
1	503 95 64-02	1	Fx, FxT ø41mm 43cc	
2	505 03 48-04	1	F, FR, R, Rx ø42mm 45cc	
3	537 15 94-02	1	Fx, FxT ø41mm 43cc	1
3	544 09 30-02	1	F, FR, R, Rx ø42mm 45cc	2
4	503 28 90-45	1	Fx, FxT ø41mm 43cc	1, 3
4	506 44 94-01	2	F, FR, R, Rx ø42mm 45cc	2, 3
5	501 45 16-01	1		1, 2, 3
6	737 44 10-00	2		1, 2, 3
7	503 66 54-01	1		
8	503 55 22-01	1		
9	725 53 31-55	4		
10	503 95 27-01	1		
11	504 34 00-04	1	Fx, FxT	1
12	537 18 00-01	1	Fx, FxT	
13	537 32 09-01	1	Fx, FxT	

**N****343R, F, FR, 345RX, FX, FXT  
CLUTCH**

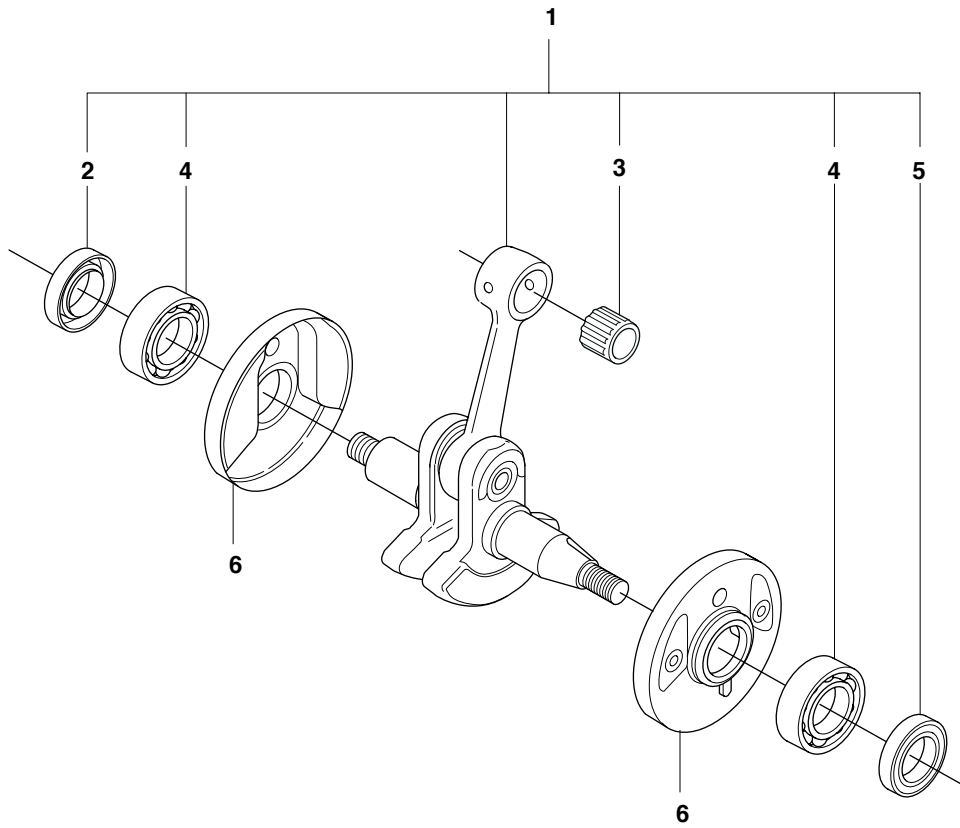
**Page N** 343R, F, FR  
345RX, FX, FXT

**CLUTCH**

<b>Position</b>	<b>Article</b>	<b>Quantity</b>	<b>Notes</b>	<b>Kit</b>
1	503 95 41-03	1		
2	738 22 02-19	1		1
3	735 31 33-10	1		1
4	503 20 02-30	2		
5	503 20 02-20	4		
6	503 20 20-01	1		
7	544 90 07-01	1		
8	503 95 35-01	1		
9	537 13 53-01	1		8
10	503 20 18-18	3		8
11	503 95 36-01	3		8
12	537 13 54-01	3		8
13	503 95 37-01	1		8
14	505 43 53-01	3	ø1.7mm	8

**P**

**343R, F, FR, 345RX, FX, FXT  
CRANK SHAFT**

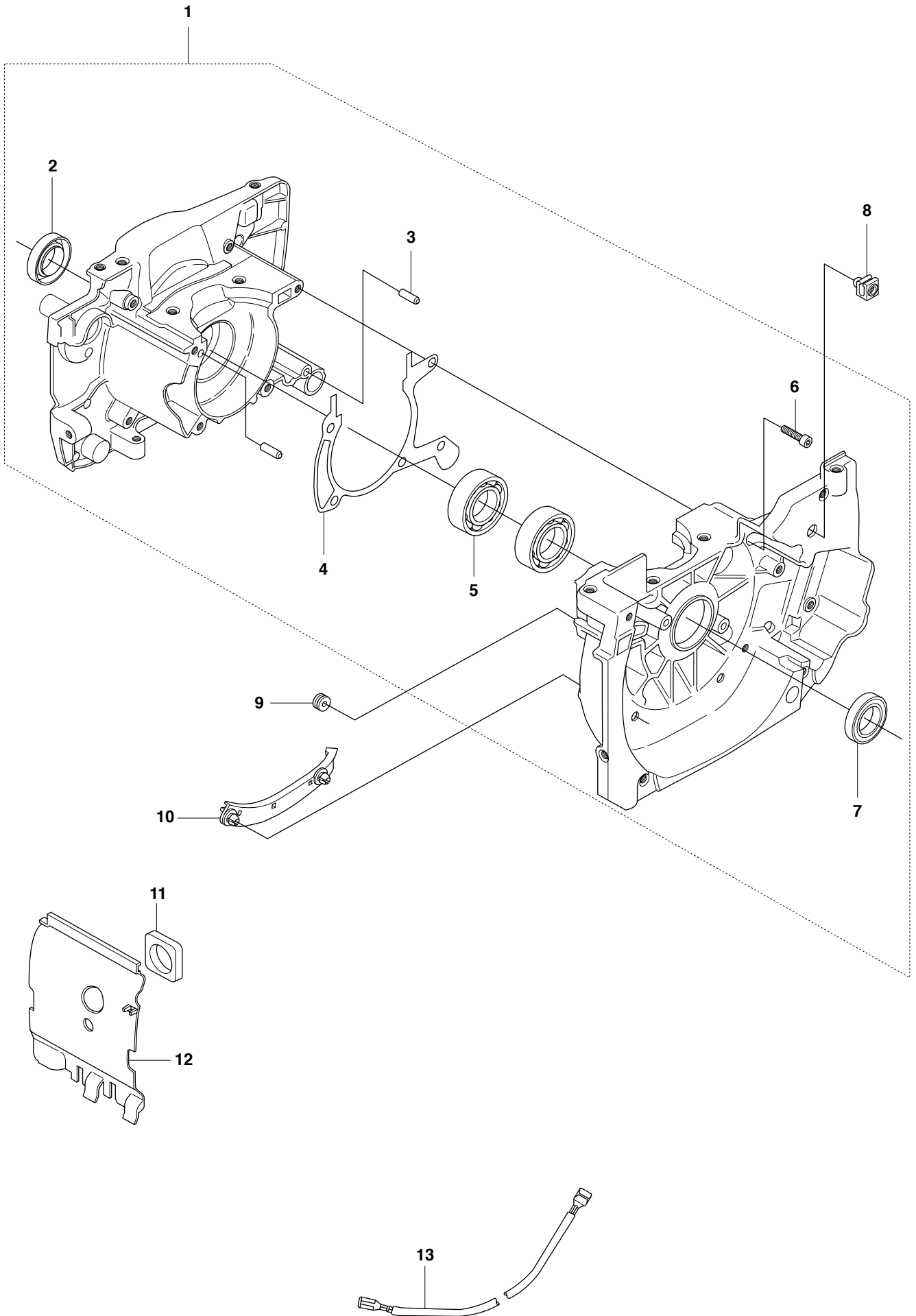


**Page P** 343R, F, FR  
345RX, FX, FXT

**CRANK SHAFT**

<b>Position</b>	<b>Article</b>	<b>Quantity</b>	<b>Notes</b>	<b>Kit</b>
1	537 18 97-02	1		
2	503 26 02-04	1		1
3	501 45 16-01	1		1
4	503 25 08-01	2		1
5	505 27 57-19	1		1
6	537 15 85-01	2	Fx, FxT	

**Q** 343R, F, FR, 345RX, FX, FXT  
**CRANK CASE**

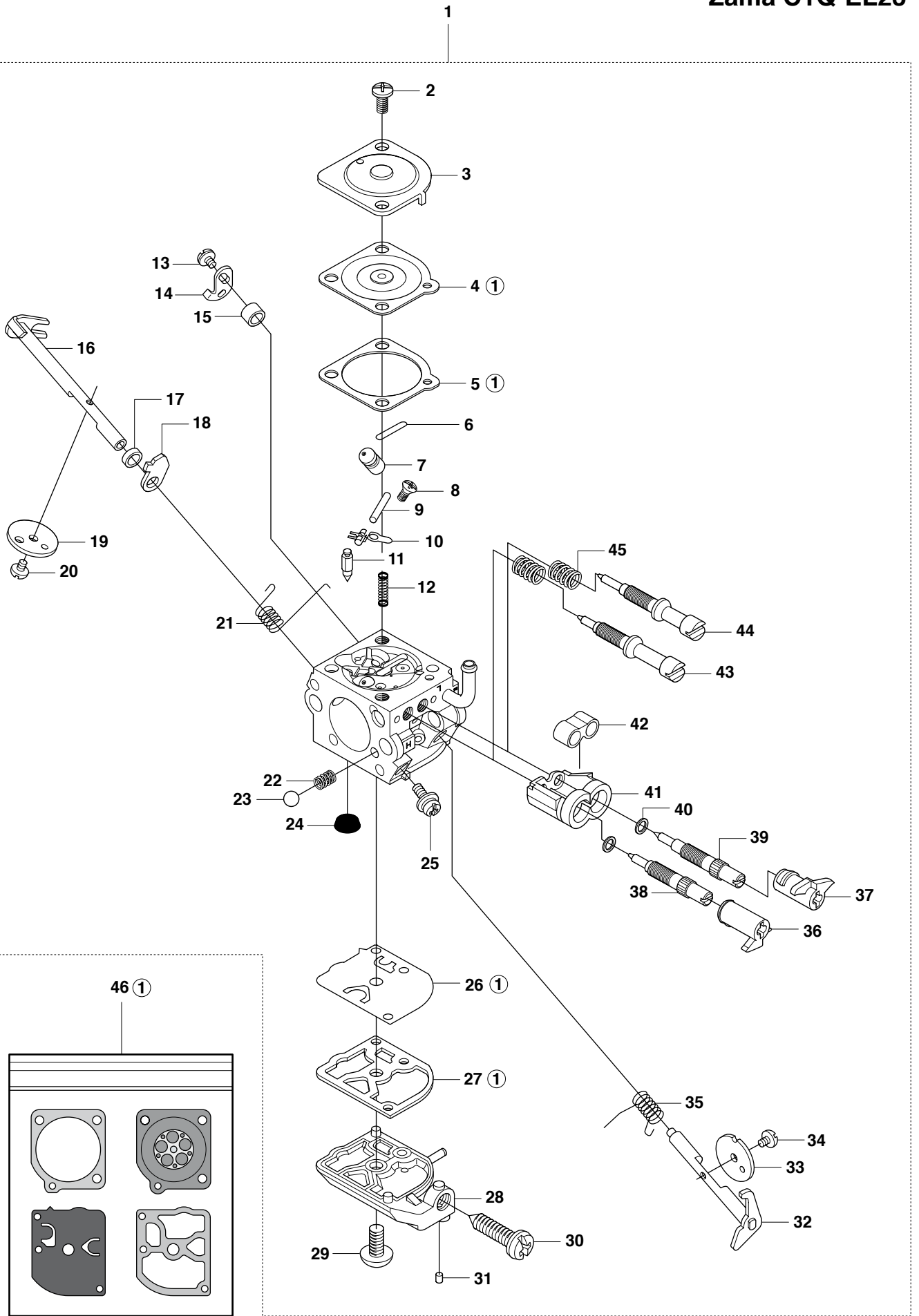




**Page Q** 343R, F, FR  
345RX, FX, FXT

**CRANK CASE**

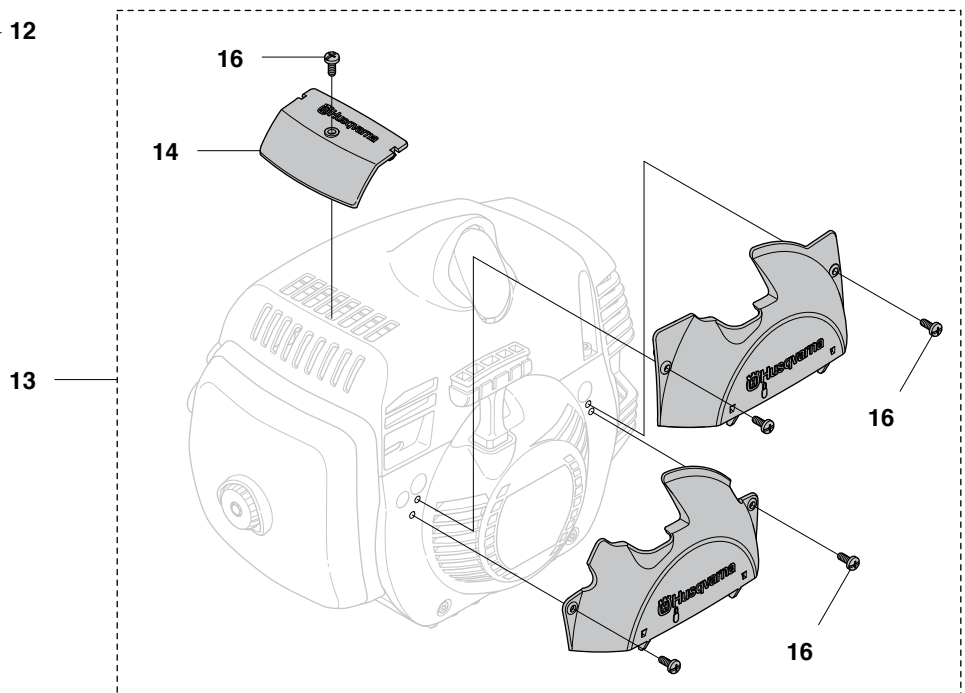
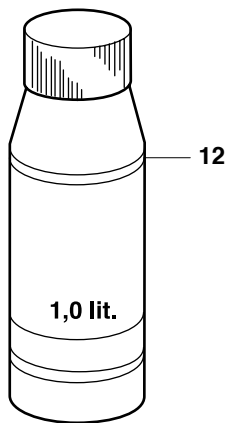
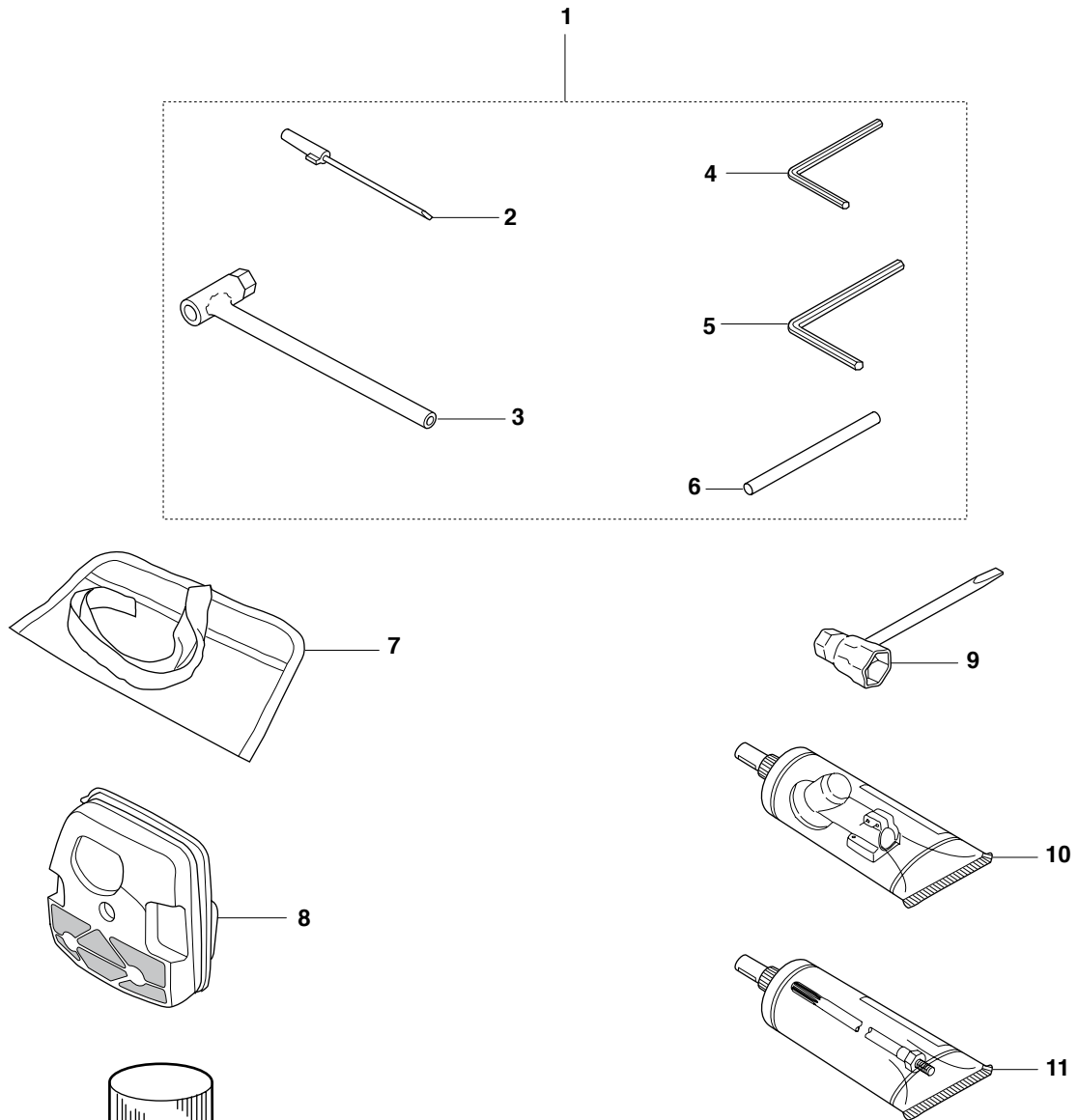
<b>Position</b>	<b>Article</b>	<b>Quantity</b>	<b>Notes</b>	<b>Kit</b>
1	537 23 04-01	1		
2	503 26 02-04	1		1
3	720 13 07-10	2		1
4	503 94 80-01	1		1
5	503 25 08-01	2		1
6	725 53 31-55	4		1
7	505 27 57-19	1		1
8	502 08 96-01	1		
9	503 73 58-01	1		
10	537 28 05-01	1		
11	537 30 94-01	1	F, Fx, FxT, FR	
12	537 27 94-01	1	R, Rx	
12	537 30 99-01	1	F, Fx, FxT, FR	
13	537 39 10-01	1		



**CARBURETOR**

<b>Position</b>	<b>Article</b>	<b>Quantity</b>	<b>Notes</b>	<b>Kit</b>
1	503 28 31-16	1	Zama C1Q-EL21	
1	503 28 31-18	1	Zama C1Q-EL23 343R South America	
2	503 48 05-01	2		1
3	503 97 43-01	1		1
4	503 48 02-01	1	Part of Gasket kit	1
5	503 48 03-01	1	Part of Gasket kit	1
6	503 53 56-01	1		1
7	544 11 49-01	1		1
8	503 48 01-01	1		1
9	503 48 00-01	1		1
10	503 66 59-01	1		1
11	503 47 97-01	1		1
12	537 02 03-01	1		1
13	503 47 90-01	1		1
14	537 01 98-01	1		1
15	503 47 89-01	1		1
16	537 02 09-01	1		1
17	503 48 19-01	1		1
18	537 04 90-01	1		1
19	537 02 11-01	1		1
20	503 48 18-01	1		1
21	537 02 10-01	1		1
22	537 01 26-01	1		1
23	537 01 25-01	1		1
24	503 53 57-01	1		1
25	503 75 53-01	1		1
26	537 02 00-01	1	Part of Gasket kit	1
27	537 02 01-01	1	Part of Gasket kit	1
28	537 02 02-01	1		1
29	503 47 96-01	1		1
30	537 02 07-01	1		1
31	503 48 11-01	1		1
32	537 27 54-01	1		1
33	537 38 68-01	1		1
34	503 47 92-01	1		1
35	537 28 71-01	1		1
36	503 90 33-01	1	H Zama C1Q-EL21	1
37	503 90 32-01	1	L Zama C1Q-EL21	1
38	537 27 56-01	1	H Zama C1Q-EL21	1
39	537 27 55-01	1	L Zama C1Q-EL21	1
40	503 97 40-01	2	Zama C1Q-EL21	1
41	503 90 34-01	1	Zama C1Q-EL21	1
42	537 27 42-01	1	Zama C1Q-EL21	1
43	537 38 70-01	1	Zama C1Q-EL23	1
44	537 38 69-01	1	Zama C1Q-EL23	1
45	503 48 08-01	2	Zama C1Q-EL23	1
46	537 24 36-01	1	Gasket kit	

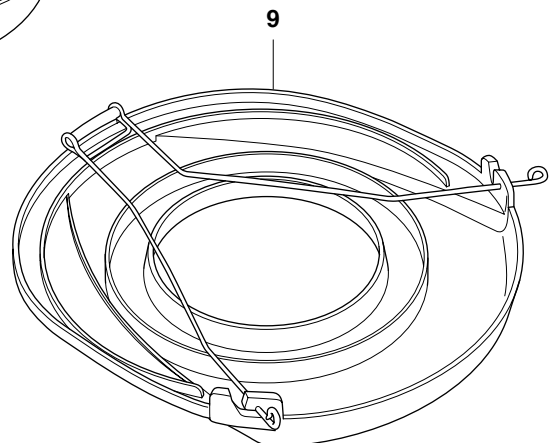
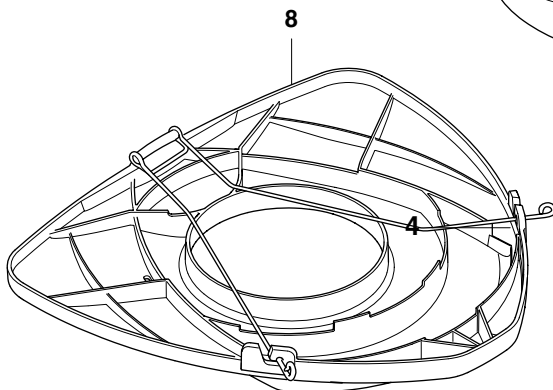
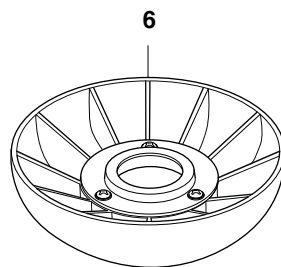
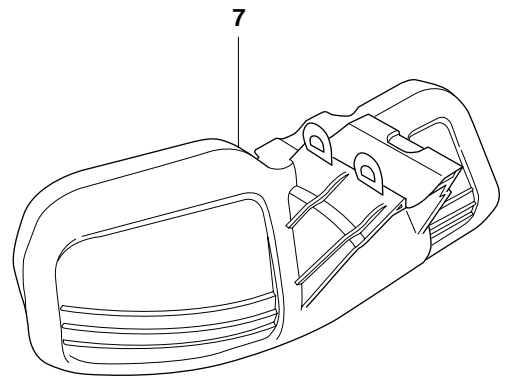
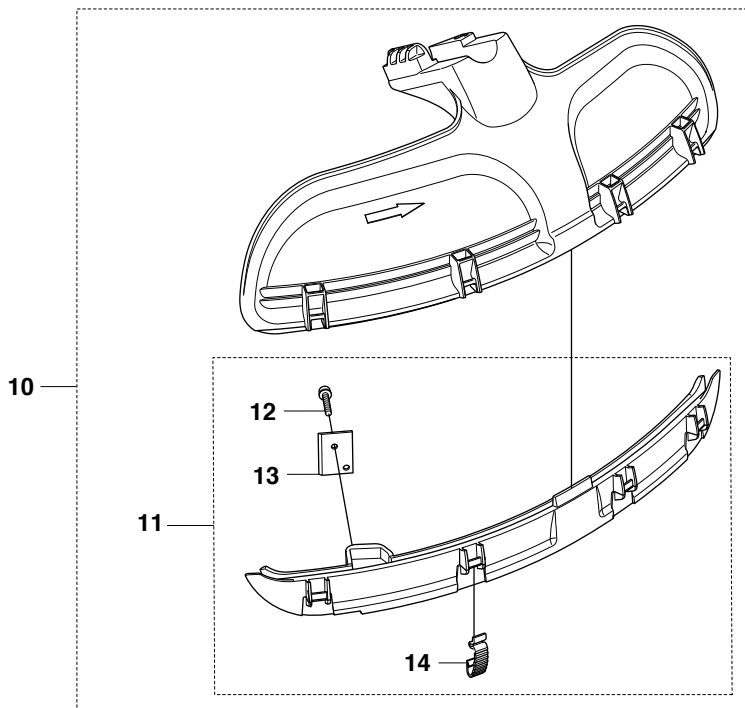
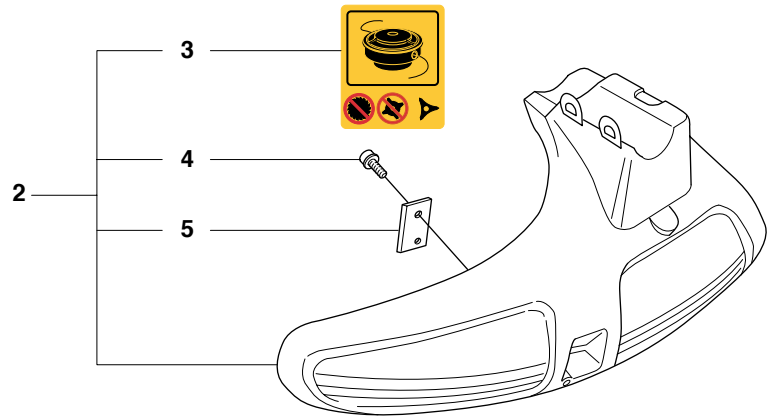
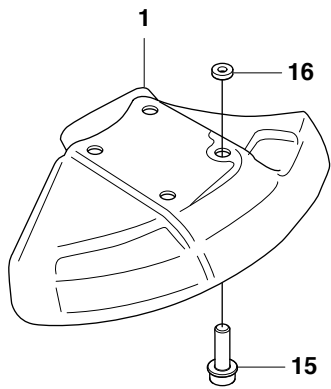
**S1** 343R, F, FR, 345RX, FX, FXT  
ACCESSORIES



Position	Article	Quantity	Notes	Kit
1	502 21 60-13	1		
2	501 60 02-03	1		1
3	502 11 46-03	1		1
4	502 21 58-01	1	4 mm	1
5	503 55 86-02	1	5 mm	1
6	502 28 59-01	1		1
7	501 19 22-01	1		
8	537 38 11-01	1	NYLON $\mu$ 80 = Black	
8	537 38 11-02	1	NYLON $\mu$ 44 = Yellow	
8	537 38 11-03	1	FELT = White	
8	537 38 11-04	1	NYLON $\mu$ 100 = Grey	
9	501 69 17-01	1		
10	503 97 64-01	1		
11	503 80 17-01	1		
12	531 00 92-48	1	Oil Airfilter 1.0 litre	
13	537 23 84-01	1	Winter Kit	
14	537 17 87-01	1		13
16	503 21 70-10	3		13

# S2

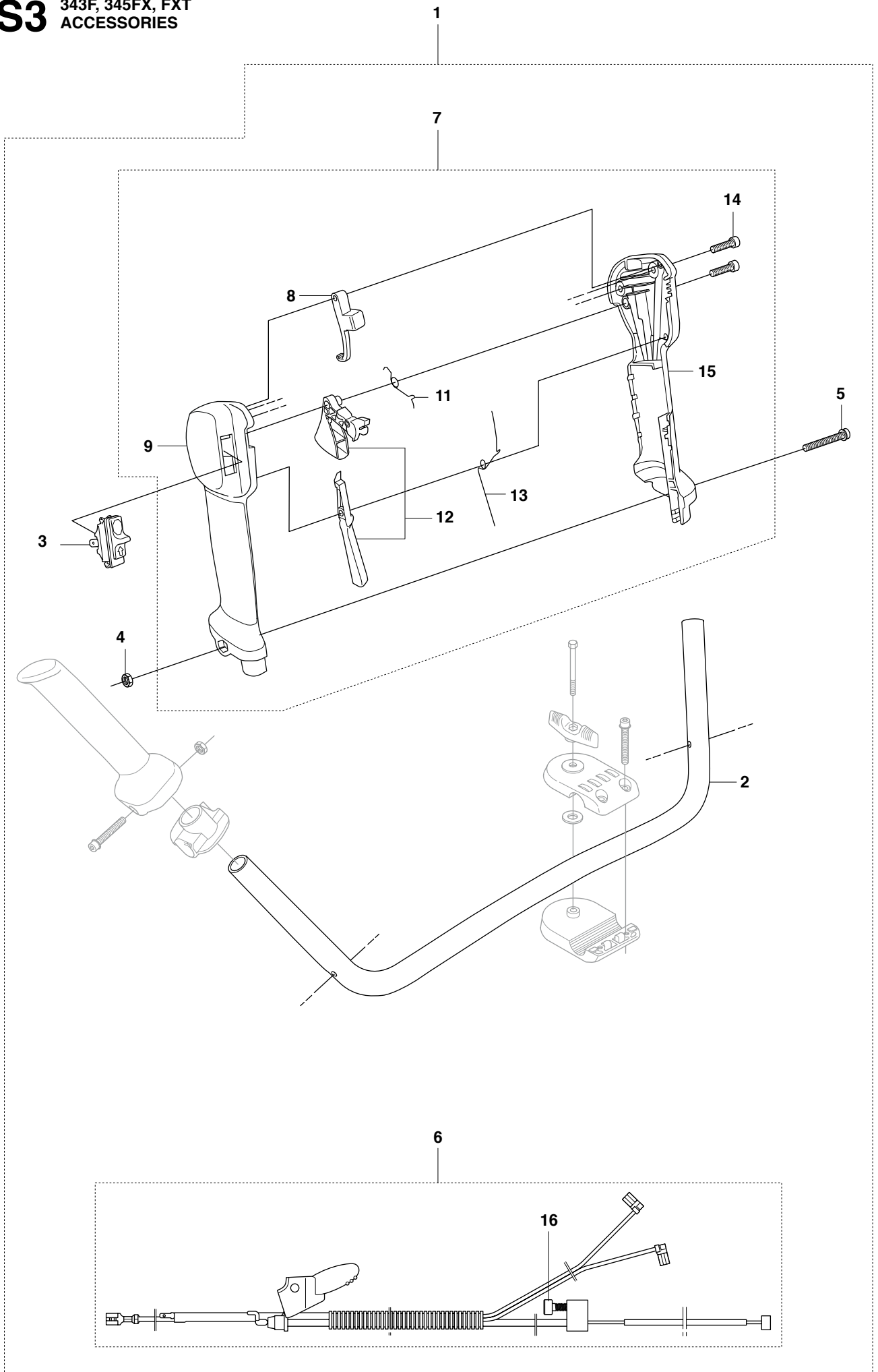
343R, F, FR, 345RX, FX, FXT  
ACCESSORIES



**ACCESSORIES**

<b>Position</b>	<b>Article</b>	<b>Quantity</b>	<b>Notes</b>	<b>Kit</b>
1	574 50 67-02	1	225 mm Sawblade guard	
1	574 53 26-01	1	200 mm Sawblade guard	
2	503 95 43-01	1	Trimmer guard	
3	503 74 29-01	1		2
4	503 21 07-16	1		2
5	503 79 88-01	1		2
6	502 15 70-02	1		
7	537 28 85-01	1	Grassblade guard	
8	544 35 91-01	1	300-350 mm, Transport guard	
9	537 31 29-01	1	200-275 mm, Transport guard	
10	544 46 43-01	1	Kombi guard	
11	537 39 63-01	1		10
12	503 21 07-16	1		10
13	503 79 88-01	1		10
14	537 38 72-01	4		10
15	503 20 03-16	1		
16	574 03 95-01	1		

**S3** 343F, 345FX, FXT  
ACCESSORIES

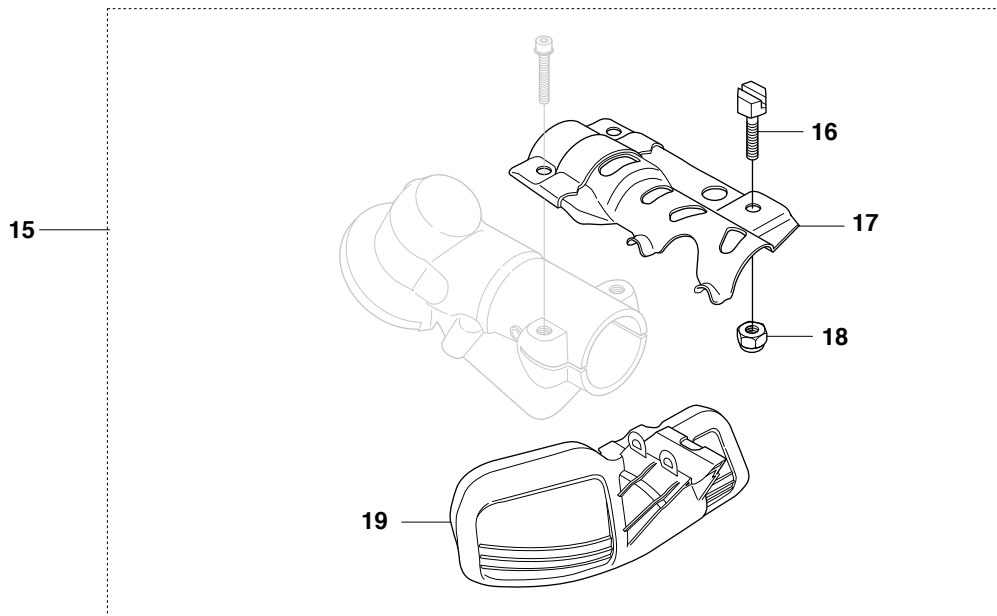
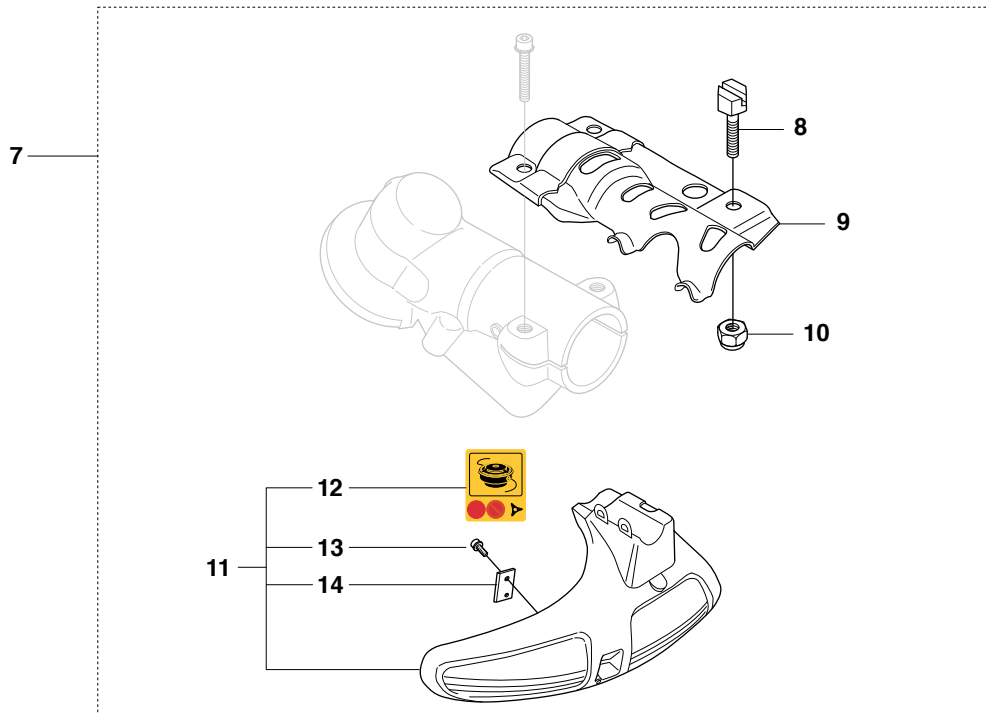
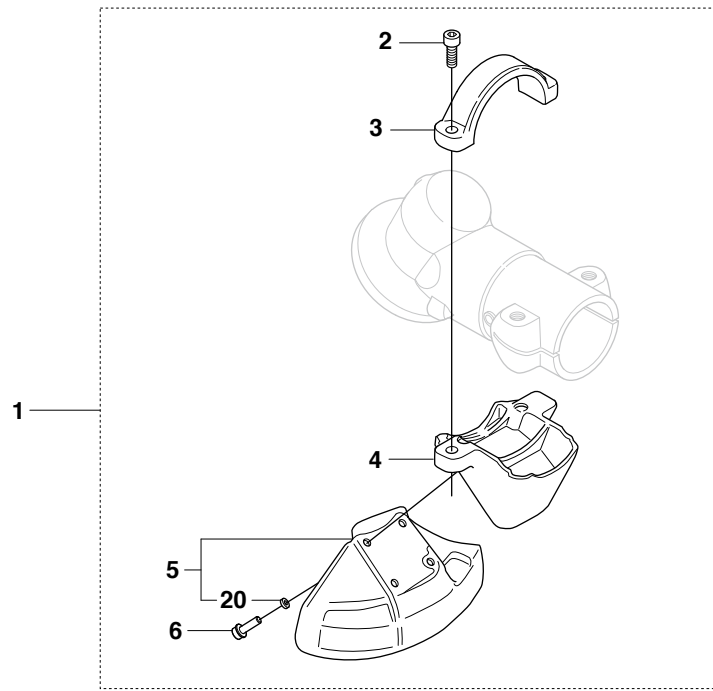




**ACCESSORIES**

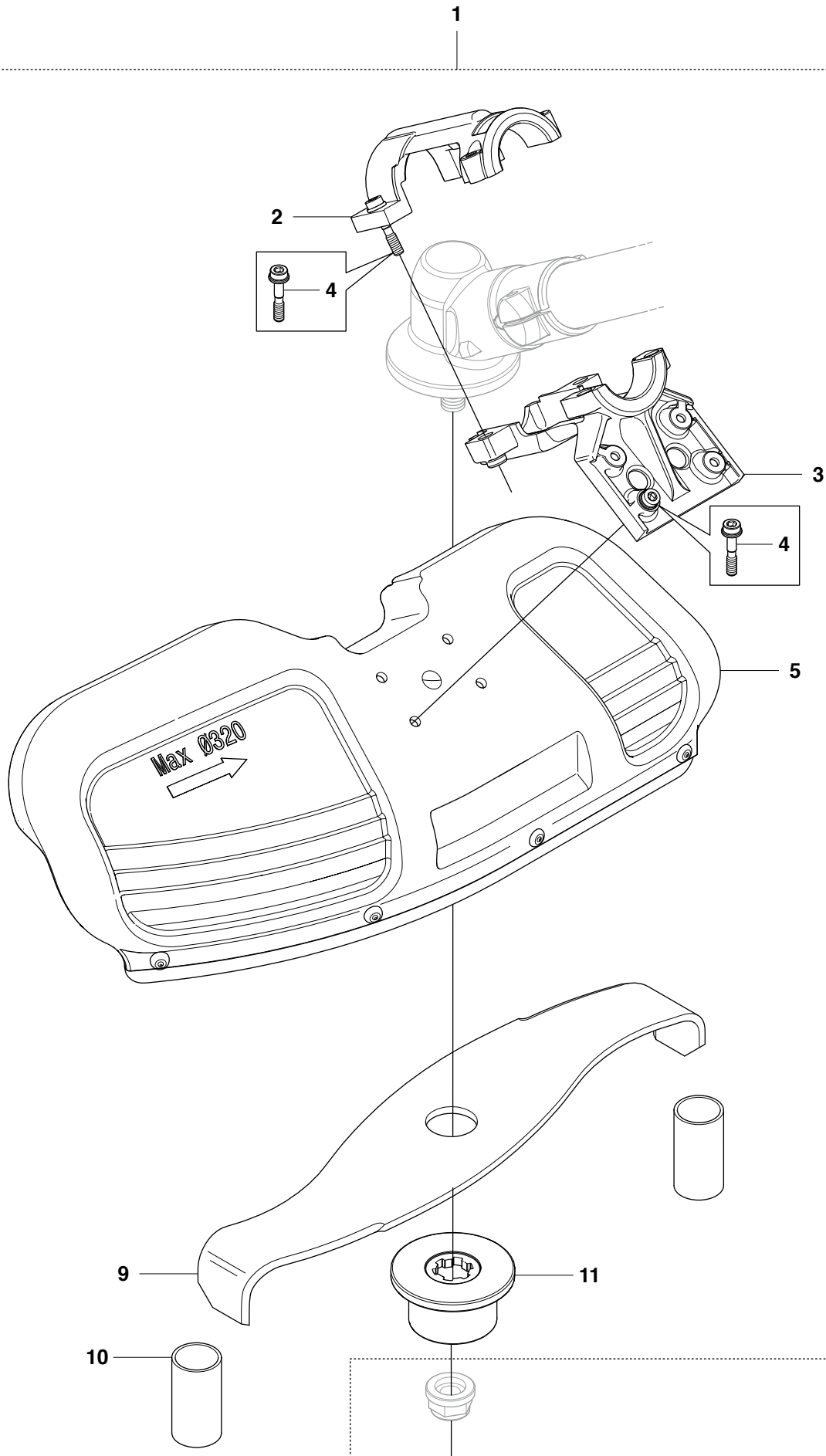
<b>Position</b>	<b>Article</b>	<b>Quantity</b>	<b>Notes</b>	<b>Kit</b>
1	510 11 88-01	1	F, Fx, FxT Canada	
2	503 95 86-03	1		1
3	503 41 90-01	1		1
4	503 22 10-13	1		1
5	503 20 07-35	1		1
6	544 97 78-02	1		1
7	504 20 98-04	1		1
8	537 16 07-01	1		1,7
9	537 18 07-11	1		1,7
11	537 17 42-01	1		1,7
12	506 49 77-01	1		1,7
13	537 17 43-01	1		1,7
14	503 21 66-18	2		1,7
15	537 18 08-11	1		1,7
16	503 21 66-16	1		1,6,7

**S4** 343R, F, FR, 345RX, FX, FXT  
ACCESSORIES

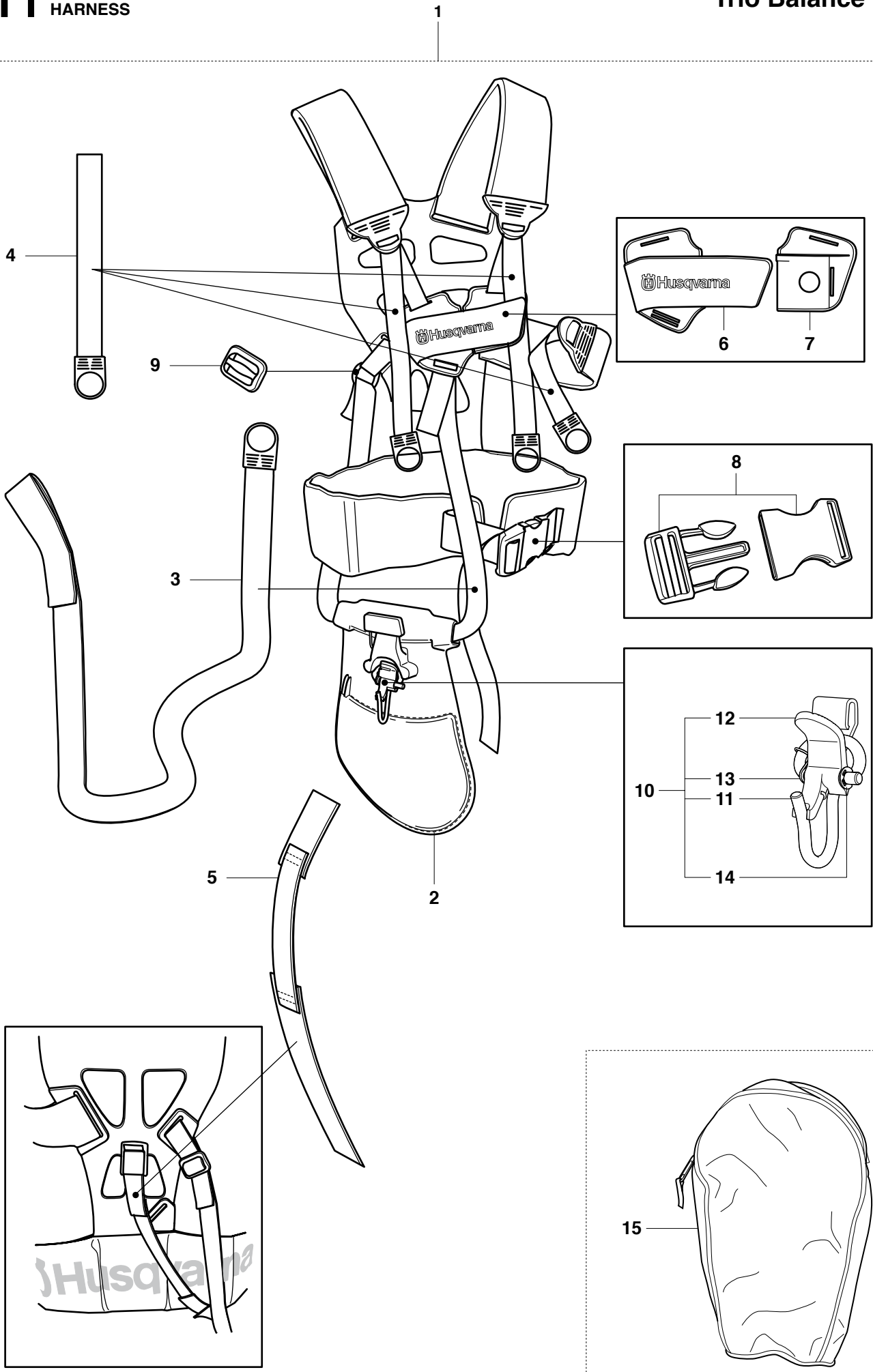


**ACCESSORIES**

<b>Position</b>	<b>Article</b>	<b>Quantity</b>	<b>Notes</b>	<b>Kit</b>
1	537 31 09-02	1	R, Rx, FR	
2	573 99 43-04	2		1
3	574 55 54-01	1		1
4	504 00 33-01	1		1
5	537 21 71-04	1	200mm	1
6	503 20 03-16	4		1
7	537 29 73-01	1	F, Fx, FxT	
8	537 18 95-01	1		7
9	537 23 03-01	1		7
10	732 21 16-01	1		7
11	503 95 43-02	1		7
12	503 74 29-01	1		7
13	503 21 07-16	1		7
14	537 28 53-01	1		7
15	537 29 74-01	1	F, Fx, FxT	
16	537 18 95-01	1		15
17	537 23 03-01	1		15
18	732 21 16-01	1		15
19	537 28 85-01	1		15
20	574 03 95-01	4		1, 5



Position	Article	Quantity	Notes	Kit
1	544 84 29-01	1		
2	544 11 87-01	1	Screw incl.	1
3	544 11 88-01	1	Screw incl.	1
4	573 99 43-04	8	Fixed	1
5	544 02 65-02	1		1
9	522 82 54-01	1		1
10	537 19 49-01	2		1
11	510 13 94-01	1		1



**Page T1** 343R, F, FR  
345RX, FX, FXT

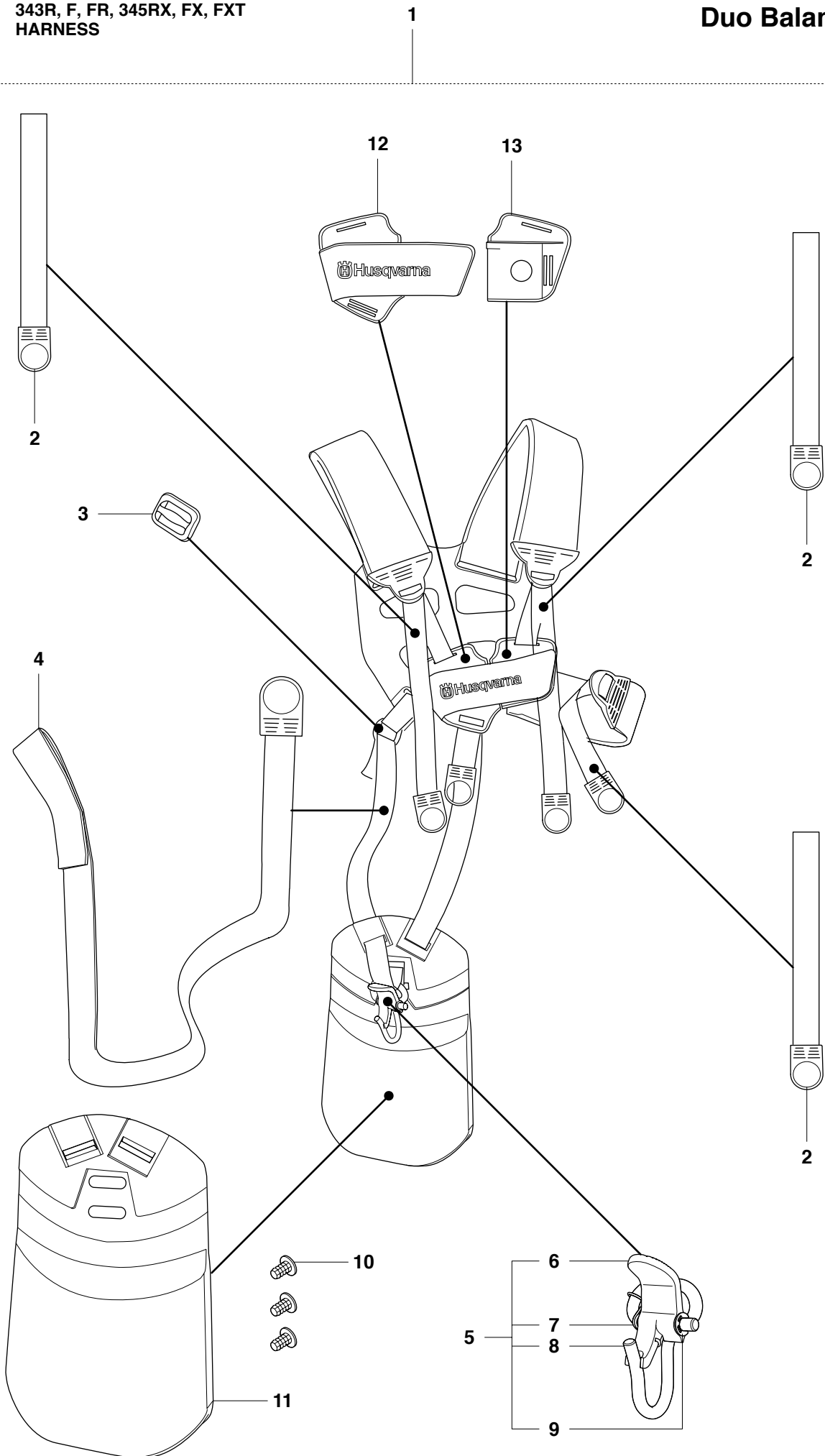
**HARNESSES**

<b>Position</b>	<b>Article</b>	<b>Quantity</b>	<b>Notes</b>	<b>Kit</b>
1	504 04 52-01	1	Fx, FxT, FR, Rx	
1	505 40 62-01	1	US	1
2	544 90 17-01	1		1
3	503 99 61-04	1		1
4	503 99 61-01	3		1
5	537 15 35-01	1		1
6	537 28 84-01	1		1
7	537 28 83-01	1		1
8	537 33 15-01	1		1
9	537 11 35-01	1		1
10	544 96 07-02	1		1
11	502 02 29-02	1		1, 10
12	502 02 30-02	1		1, 10
13	502 02 38-01	1		1, 10
14	735 31 09-20	1		1, 10
15	537 30 66-01	1	Triobalance Tool bag	

**T2**

343R, F, FR, 345RX, FX, FXT  
HARNESS

**Duo Balance**

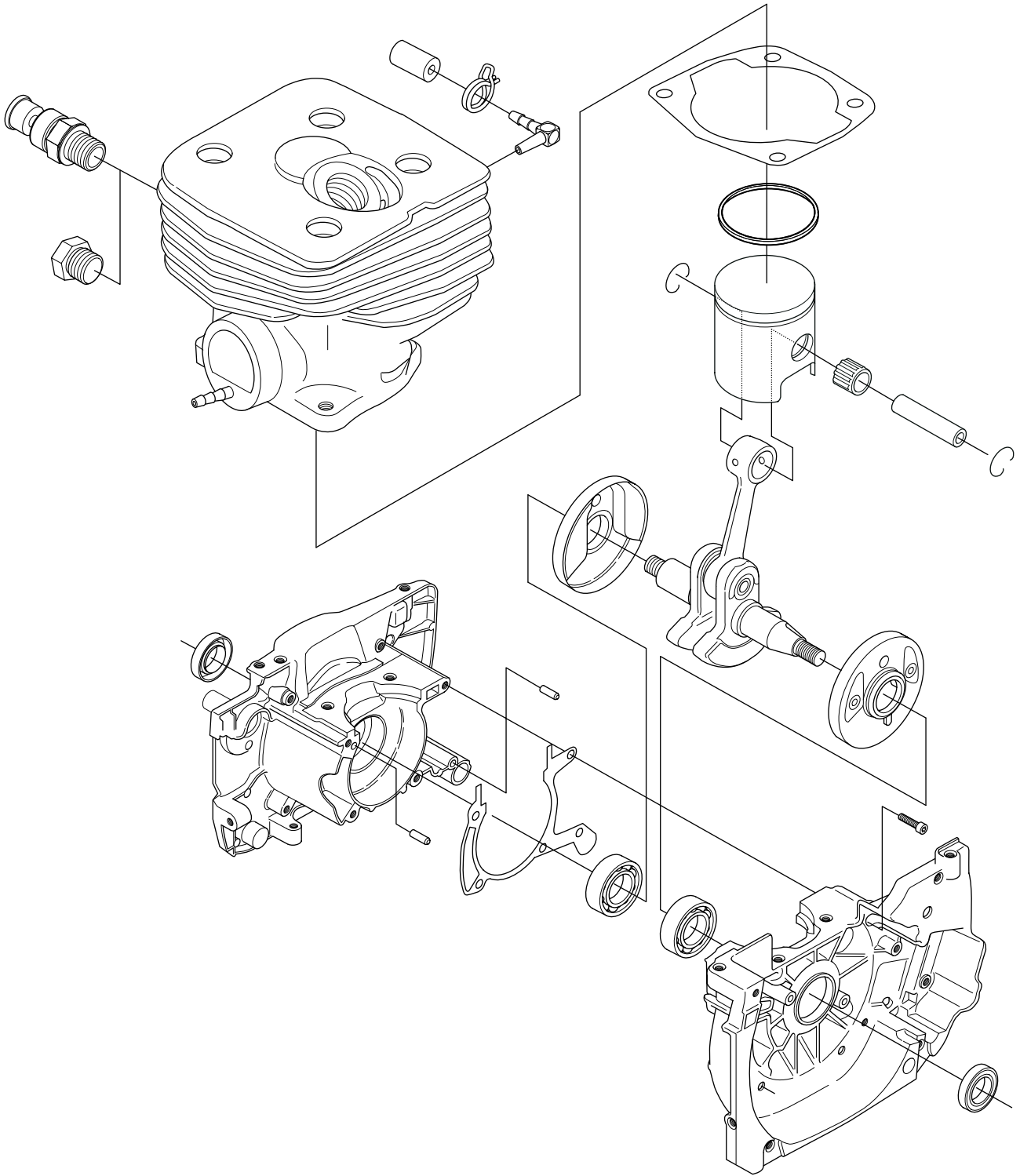




<b>Position</b>	<b>Article</b>	<b>Quantity</b>	<b>Notes</b>	<b>Kit</b>
1	537 27 57-01	1	F, FR, R	
1	537 27 57-03	1	US	
2	503 99 61-01	3		1
3	537 11 35-01	1		1
4	503 99 61-03	1		1
5	502 02 28-01	1		1
6	502 02 30-02	1		1,5
7	502 02 38-01	1		1,5
8	502 02 29-02	1		1,5
9	735 31 09-20	1		1,5
10	537 17 54-01	3		1
11	537 27 59-01	1		1
12	537 28 84-01	1		1
13	537 28 83-01	1		1

**U** 343R, F, FR, 345RX, FX, FXT  
SHORT BLOCK

1



<b>Page U</b>		343R, F, FR 345RX, FX, FXT	<b>SHORT BLOCK</b>		
<b>Position</b>	<b>Article</b>	<b>Quantity</b>	<b>Notes</b>	<b>Kit</b>	
1	576 82 97-01	1	Assembled		