

RESERVDELSKATALOG

: HUSQVARNA 240

Reservdelslista

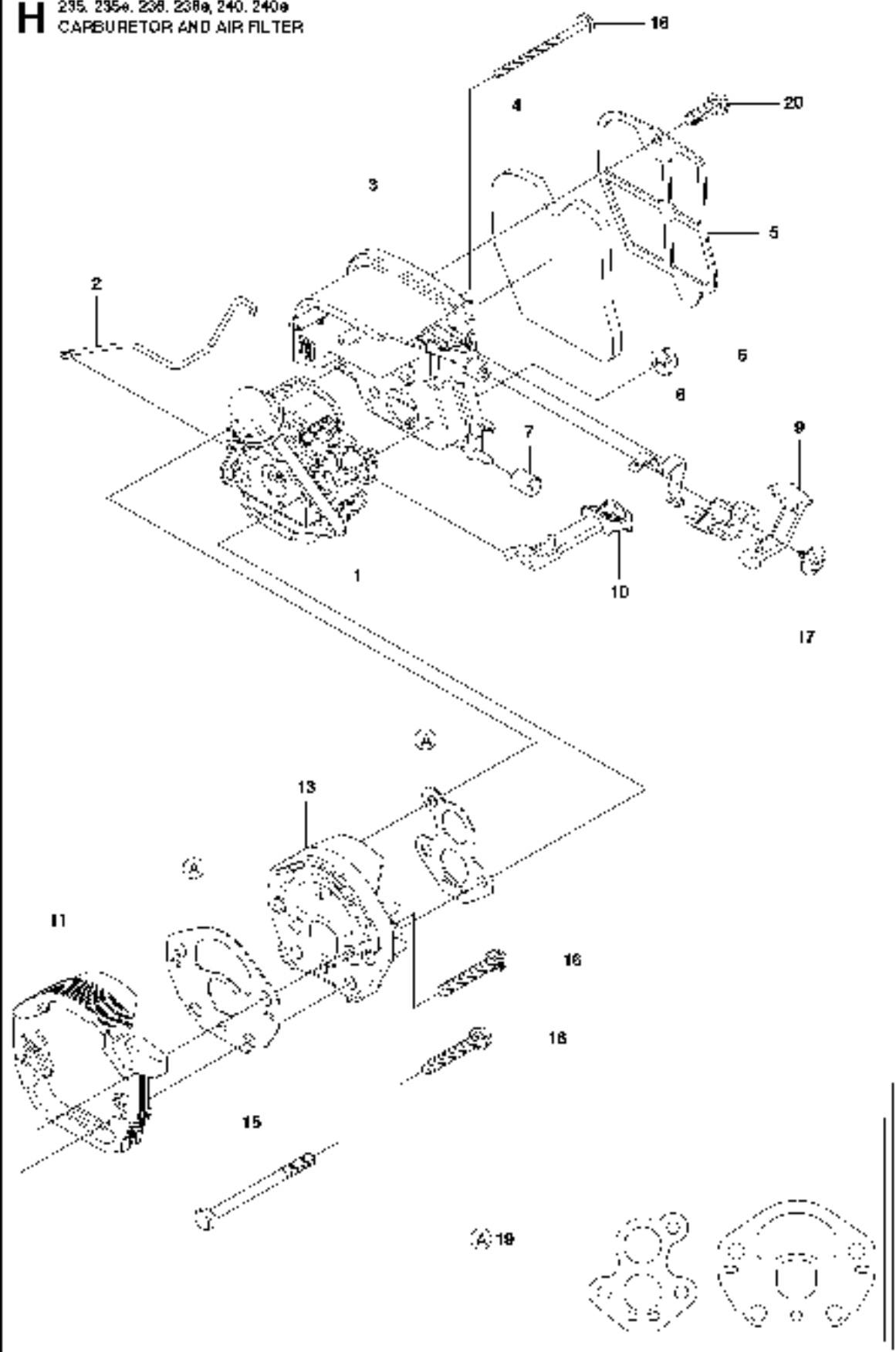
RESERVDELSLISTA

P 235, 235e, 238, 238e, 240, 240e
ACCESSORIES



REF.	ART. NR	ARTIKELBESKRIVNING	ANMÄRKNING	KIT
1	587417201	SKIFTNYCKEL	From 20080100001 up to 20144000000	1
1	587465401	SKIFTNYCKEL	From 20144000001	1

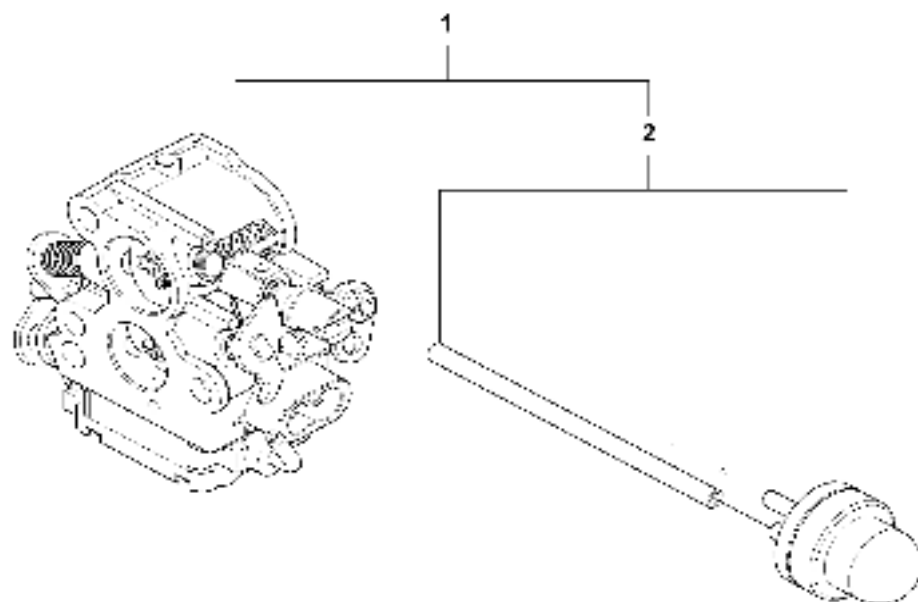
H 235, 235e, 238, 238e, 240, 240e
CARBURETOR AND AIR FILTER



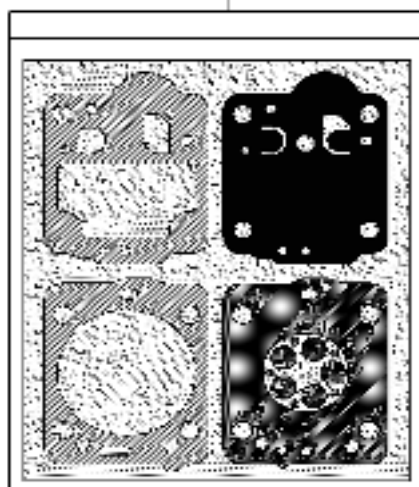
REF.	ART. NR	ARTIKELBESKRIVNING	ANMÄRKNING	KIT
1	586936202	FÖRGASARE		1
2	545062801	THROTTLE WIRE		1
3	545062101	FILTER HOUSING		1
4	545061801	LUFTFILTER		1
5	545151801	FILTER		1
6	530016101	MUTTER		2
7	545061901	ISOLATOR		1
8	545063401	SWITCH.SPRING		1
9	545061701	SWITCH LEVER		1
10	545061601	CHOKE KNOB		1
11	545061501	CARB ADAPTOR SEAL		1
13	577636501	ADAPTOR		1
15	545033701	STUD-CARBURETOR		2
16	545158301	CARB ADAPTOR SCREW		4
17	530016080	SCREW		1
18	545074901	TOP STUD-CARBURETOR		1
19	545081892	PACKNINGSSATS		1
20	530016349	SCREW		1

N 235, 235ef240, 240e
CARBURETOR DETAILS

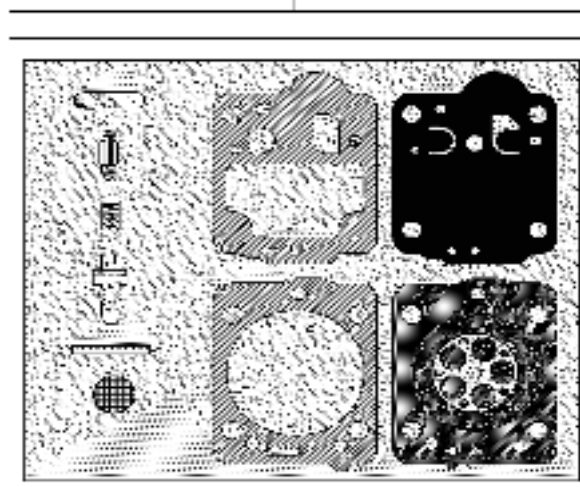
From 20080100001 up to 20144000000



3



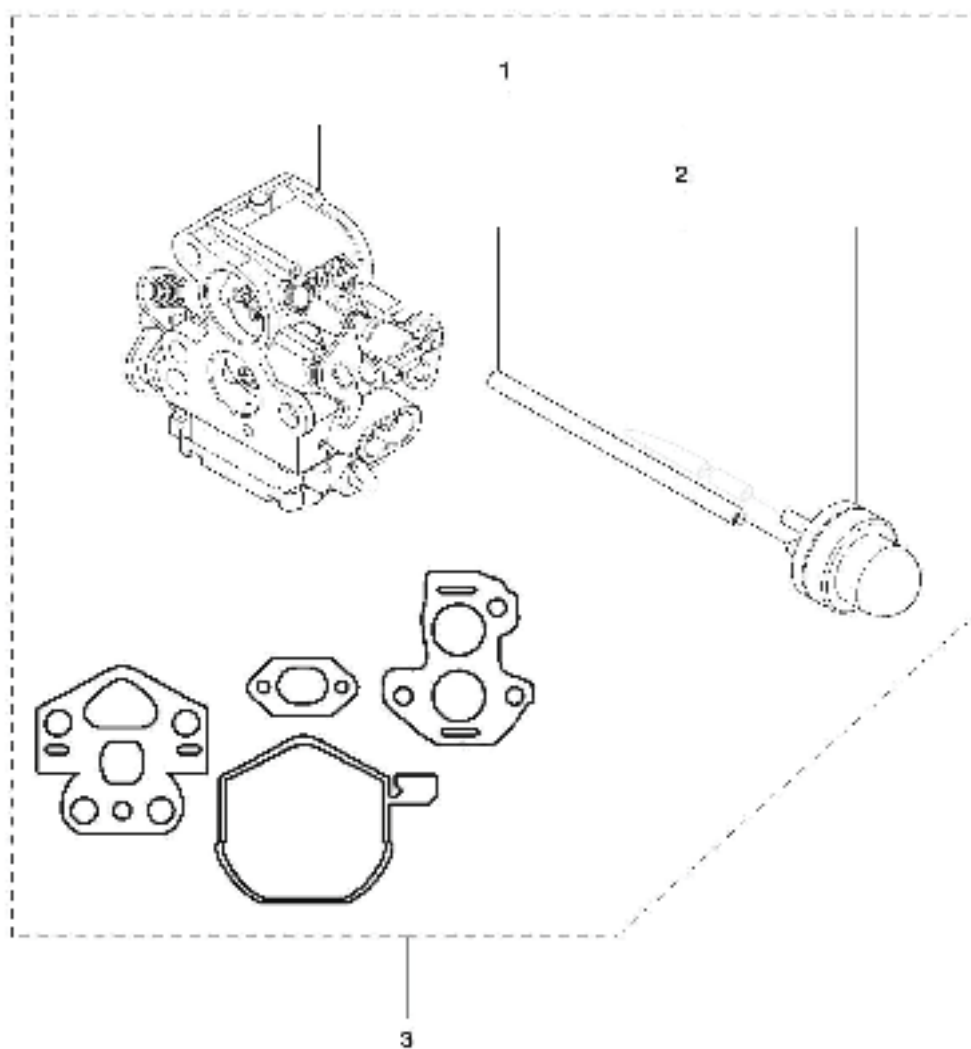
4



REF.	ART. NR	ARTIKELBESKRIVNING	ANMÄRKNING	KIT
1	586936202	FÖRGASARE		1
2	545008030	PURGE AND LINE ASSEMBLY		1 1
3	545008031	PACKNINGSSATS		1
4	545008032	CARBURETTOR KIT		1

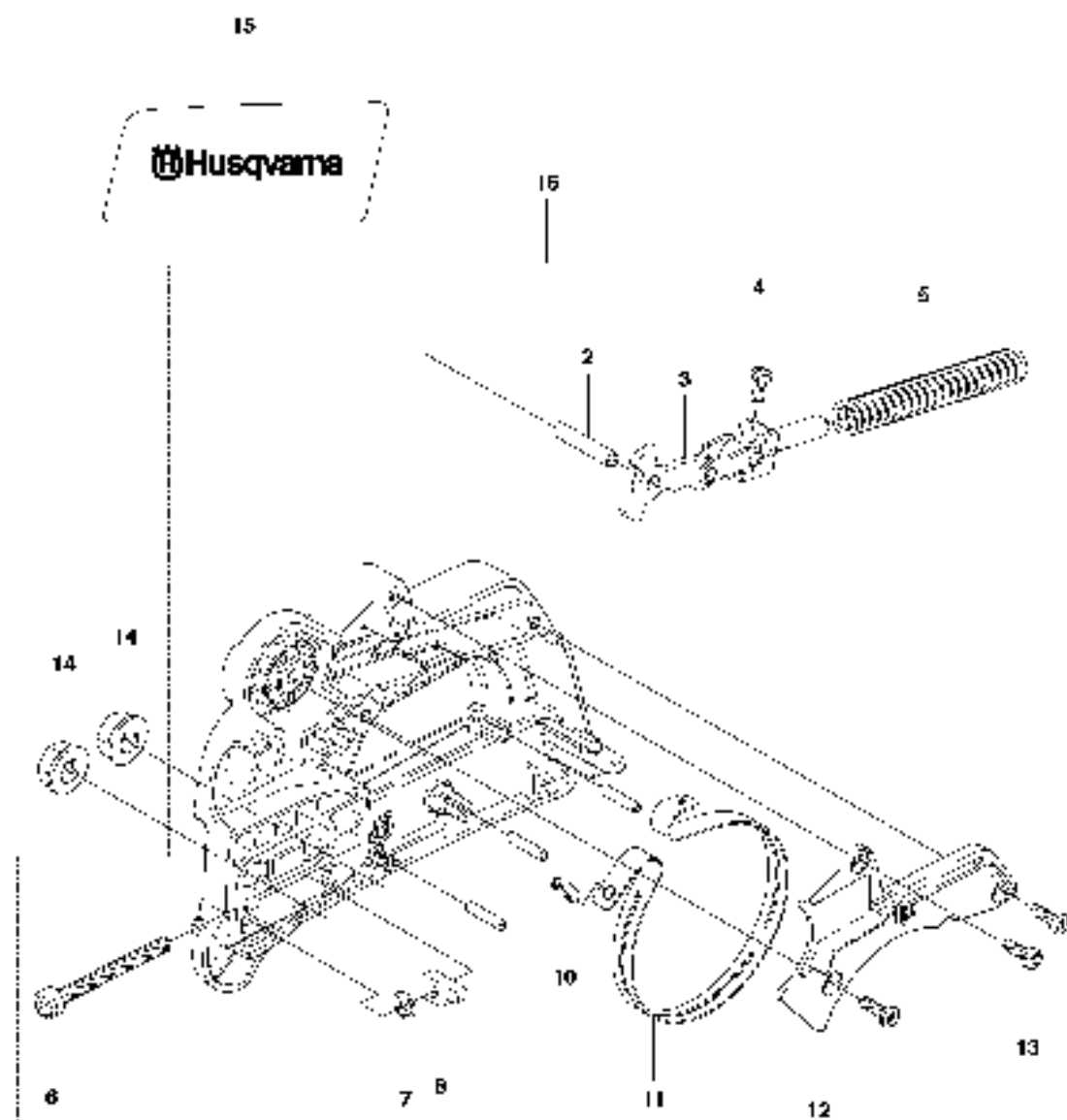
N 235, 235c, 238, 238c, 240, 240c
CARBURETOR DET AILB

From 20144000001



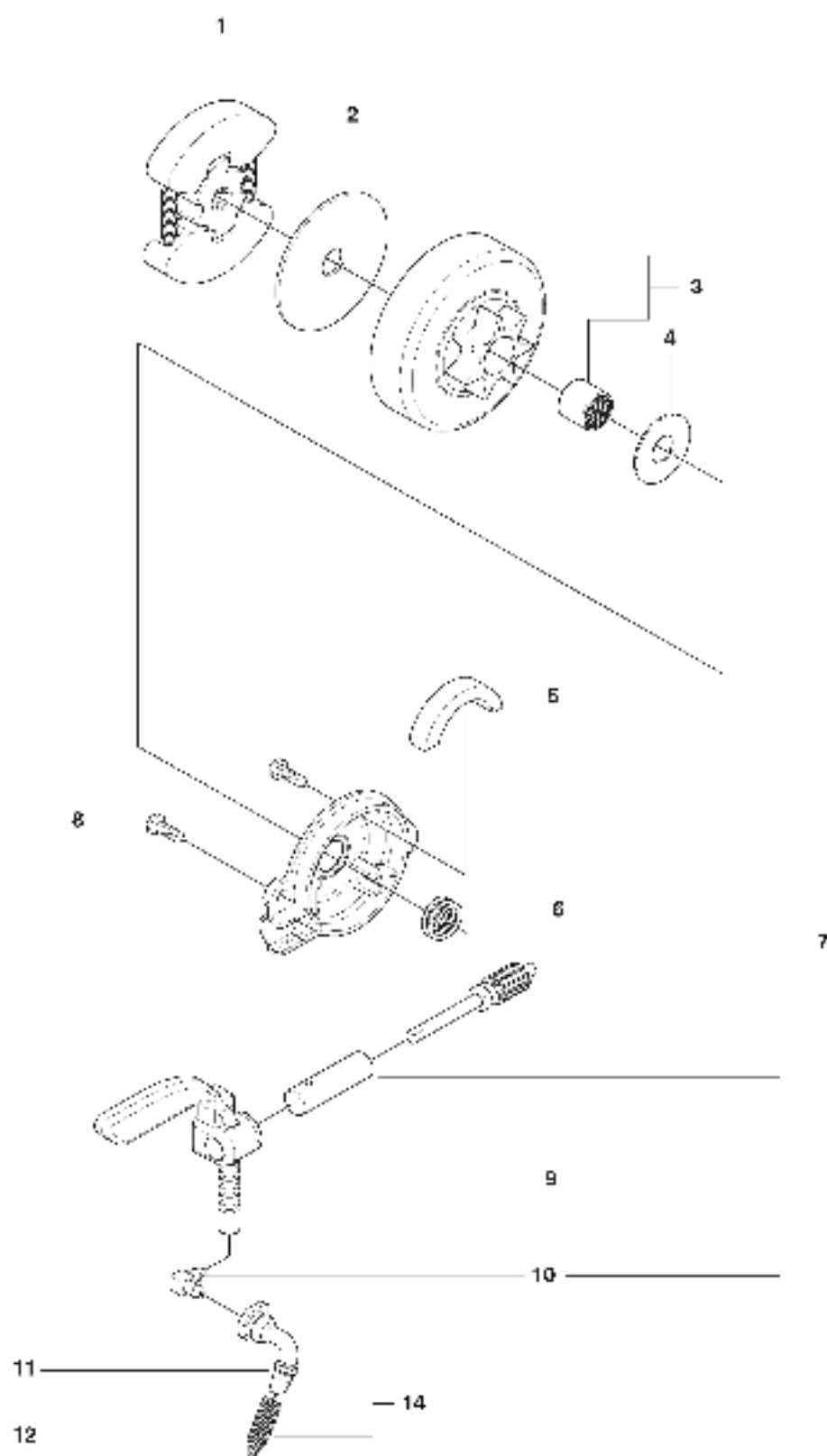
REF.	ART. NR	ARTIKELBESKRIVNING	ANMÄRKNING	KIT
1	586936202	FÖRGASARE		1 3
2	545008030	PURGE AND LINE ASSEMBLY		1 1.3
3	587609701	KIT		1

B 235, 236, 240
CHAIN BRAKE ASSY



REF.	ART. NR	ARTIKELBESKRIVNING	ANMÄRKNING	KIT
2	530057950	PIN, DOWEL		1 16
3	530057940	ASSY, FRONT LINK		1 16
4	574780301	SCREW		1 16
5	530016415	SPRING COMPRESSION		1 16
6	530016110	SCREW		1 16
7	530038593	HÅLLARE		1 16
8	530015826	PENNOR		1 16
10	530015913	PENNOR		1 16
11	530057923	BROMSBAND		1 16
12	545071001	KÅPA	From 20080100001 up to 20144000000	1 16
12	525743001	KÅPA	From 20144000001	1 16
13	545227101	SCREW		3 16
14	530015917	MUTTER		2
15	545118701	DEKAL		1
16	525628901	KEDJEBROMS KPL		1

C 236, 236c, 236, 236c, 240, 240c
CLUTCH AND OIL PUMP

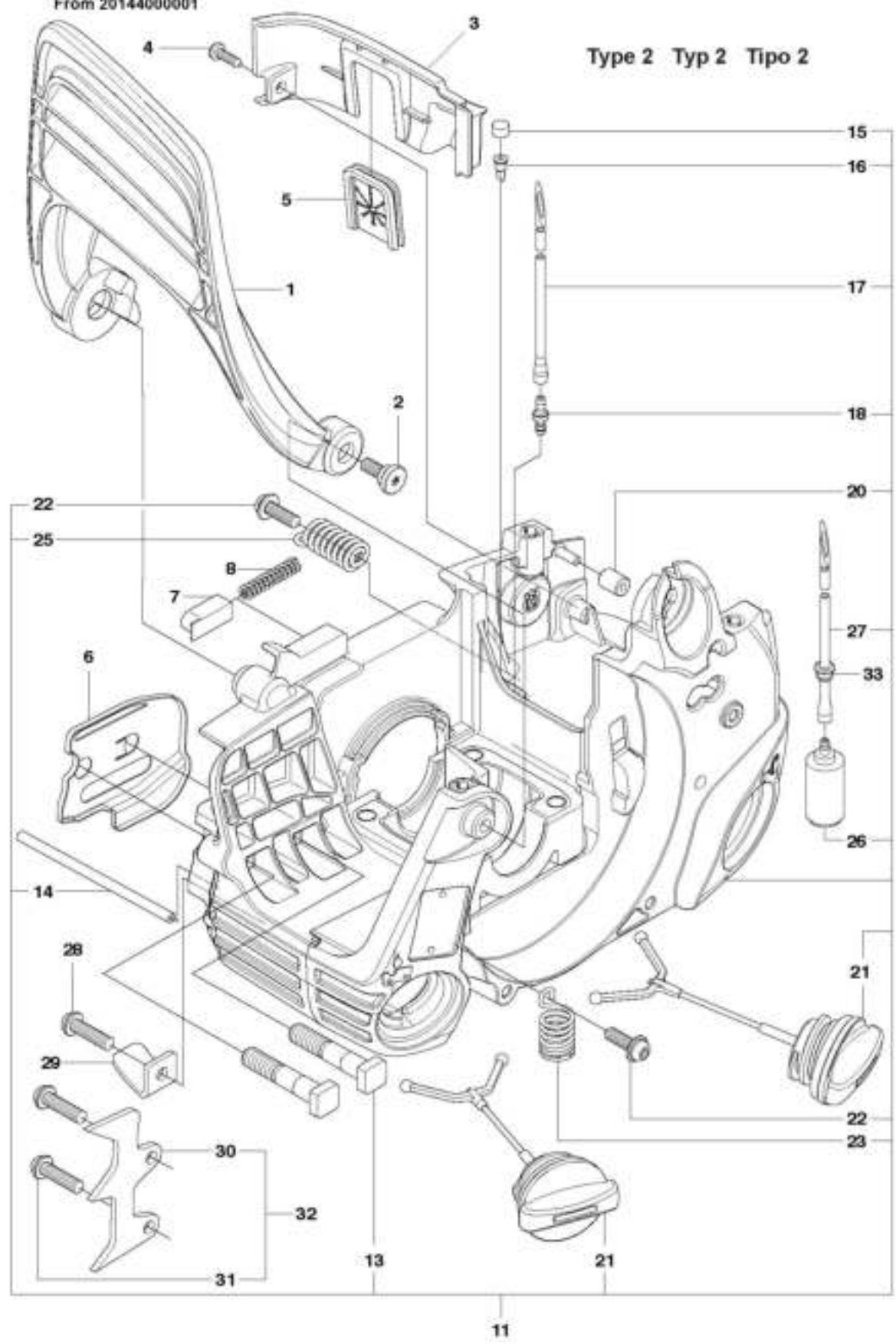


REF.	ART. NR	ARTIKELBESKRIVNING	ANMÄRKNING	KIT
1	530014949	KOPPLING		1
2	530015611	BRICKA		1
3	530047061	KOPPLINGSTRUMMA KPL	3/8 6-Tooth	1
3	530048132	KOPPLINGSTRUMMA	.325 7-tooth	1
4	579621501	BRICKA		1
5	525318401	DAMMTÄTNING		1
6	530037820	PUMPDREV		1
7	581063901	OLJEPUMP KPL		1
9	545227501	BLOCK		1
8	530016064	SCREW		2
10	530049477	ELBOW		1
11	545069401	SEAL		1
12	530056533	NÄT		1
14	545069501	PICK UP ASSEMBLY OIL TANK		1
				11, 12

L2 235, 235e, 236, 236e, 240, 240e
CHASSIS & HAND GUARD
From 20144000001

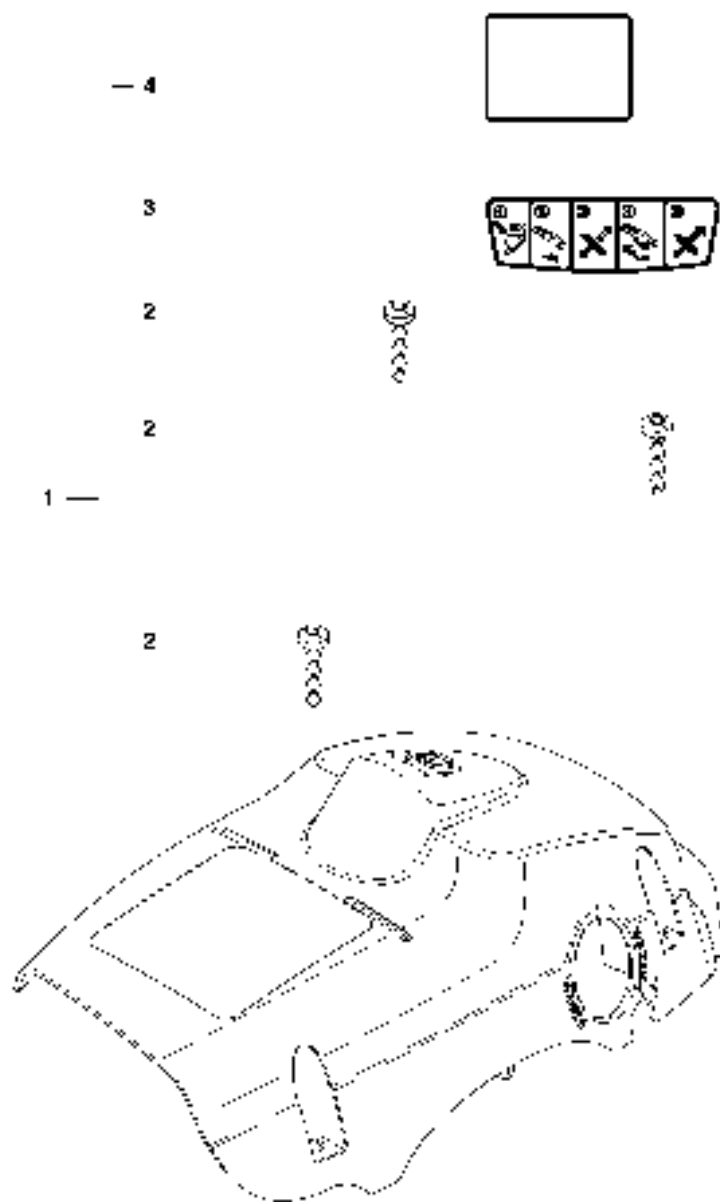


Type 2 Typ 2 Tipo 2



REF.	ART. NR	ARTIKELBESKRIVNING	ANMÄRKNING	KIT
1	577611901	KASTSKYDD		1
2	545127301	BOSS		1
3	545061201	BAKHJUL		1
4	545227101	SCREW		1
5	545075401	GENOMFÖRING		1
6	545071401	SVÄRD		1
7	545071301	CAP. SPRING HANDGUARD		1
8	545071201	SPRING. HANDGUARD POSITION		1
11	587026801	CHASSI		1
13	529310301	BULT		2 11
14	545033501	SLANG		1
15	530029868	PLUGG		1
16	530026119	VENTIL		1
17	530021025	SLANG		1
18	530023877	NIPPEL		1
20	545061901	ISOLATOR		1
21	544111201	TANKLOCK KPL		2 11
22	530015906	SCREW		2 11
23	545033801	ISOLATOR		1
25	545063101	FJÄDER		1
26	577167201	BRÄNSLEFILTER		1
27	580632317	LINE		1
28	530015814	SCREW		1
29	530029850	KEDJEFÅNGARE		1
30	530038990	FELLING DOG		1 32
31	530016439	SCREW		2 32
32	530014381	FELLING DOG		1
33	503735801	BUSHING		1

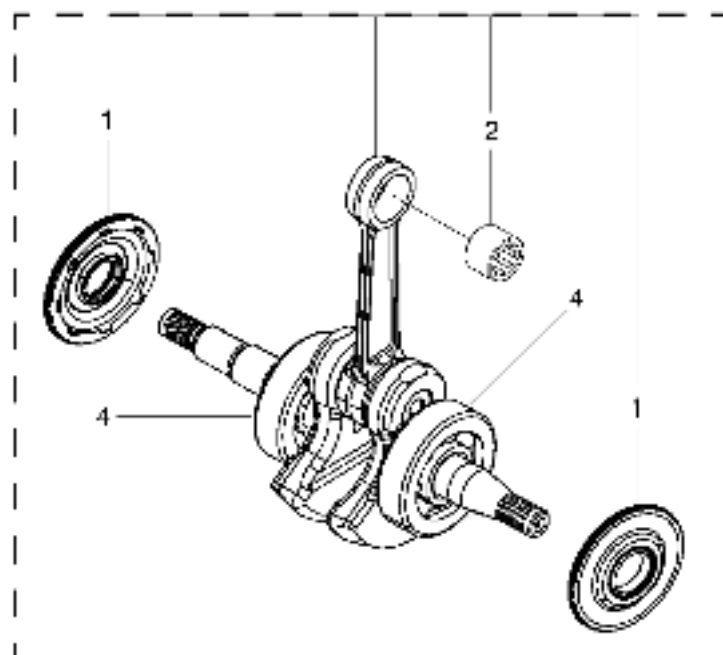
D 235, 235a, 238, 238a, 240, 240a
COVER



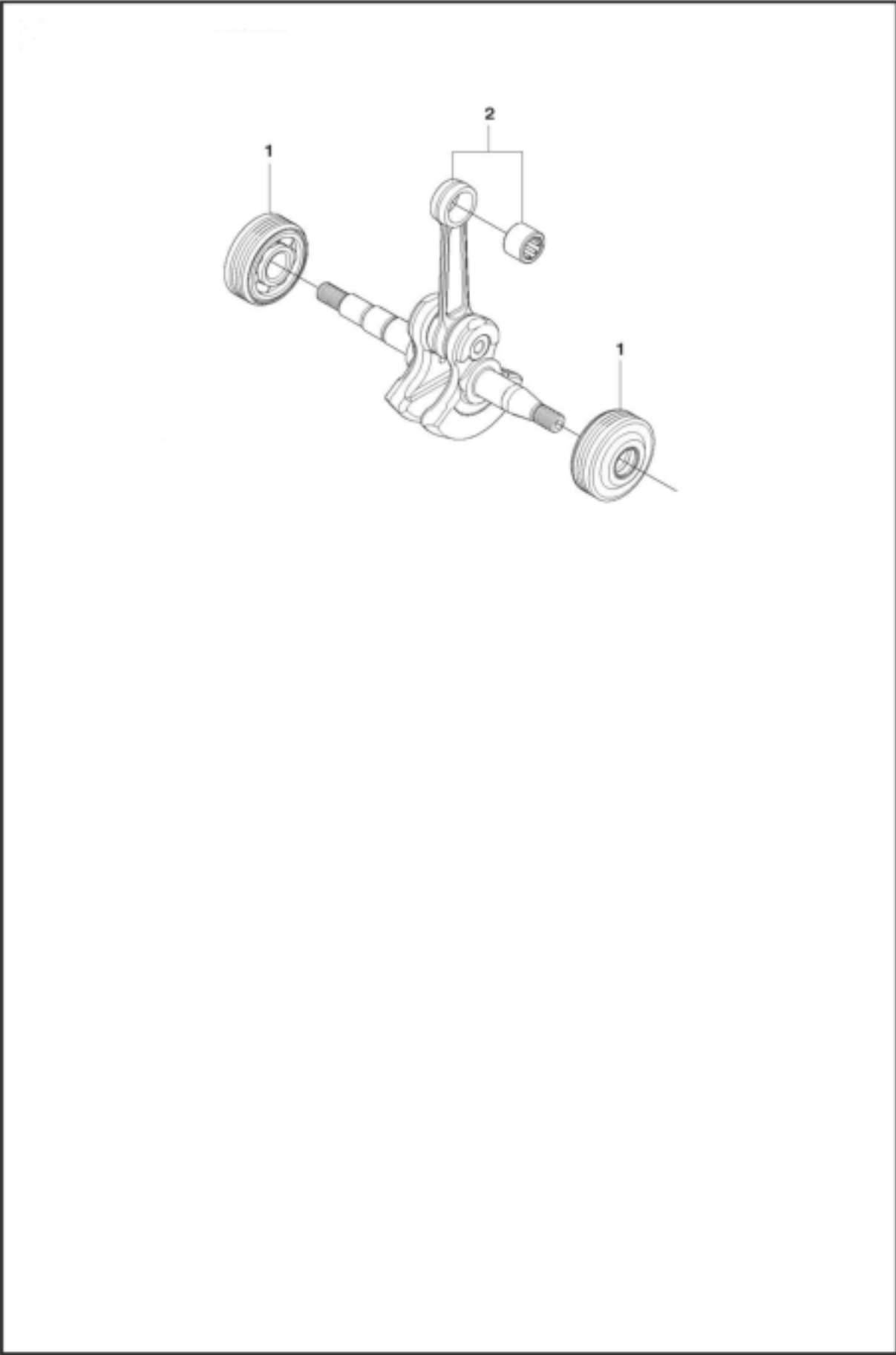
REF.	ART. NR	ARTIKELBESKRIVNING	ANMÄRKNING	KIT	
1	576543201	KIT		1	
2	574320601	SCREW	SCREWS STRIPPED SEE SB1200019	3	1
3	545116502	DEKAL		1	1
4	545165957	SKYLT		1	1
SB1200019	579173401	KIT	From 20144000001. SEE SB1200019.	1	

K2 235, 235c, 236, 236c, 240, 240c
CRANKSHAFT
From 2014400001

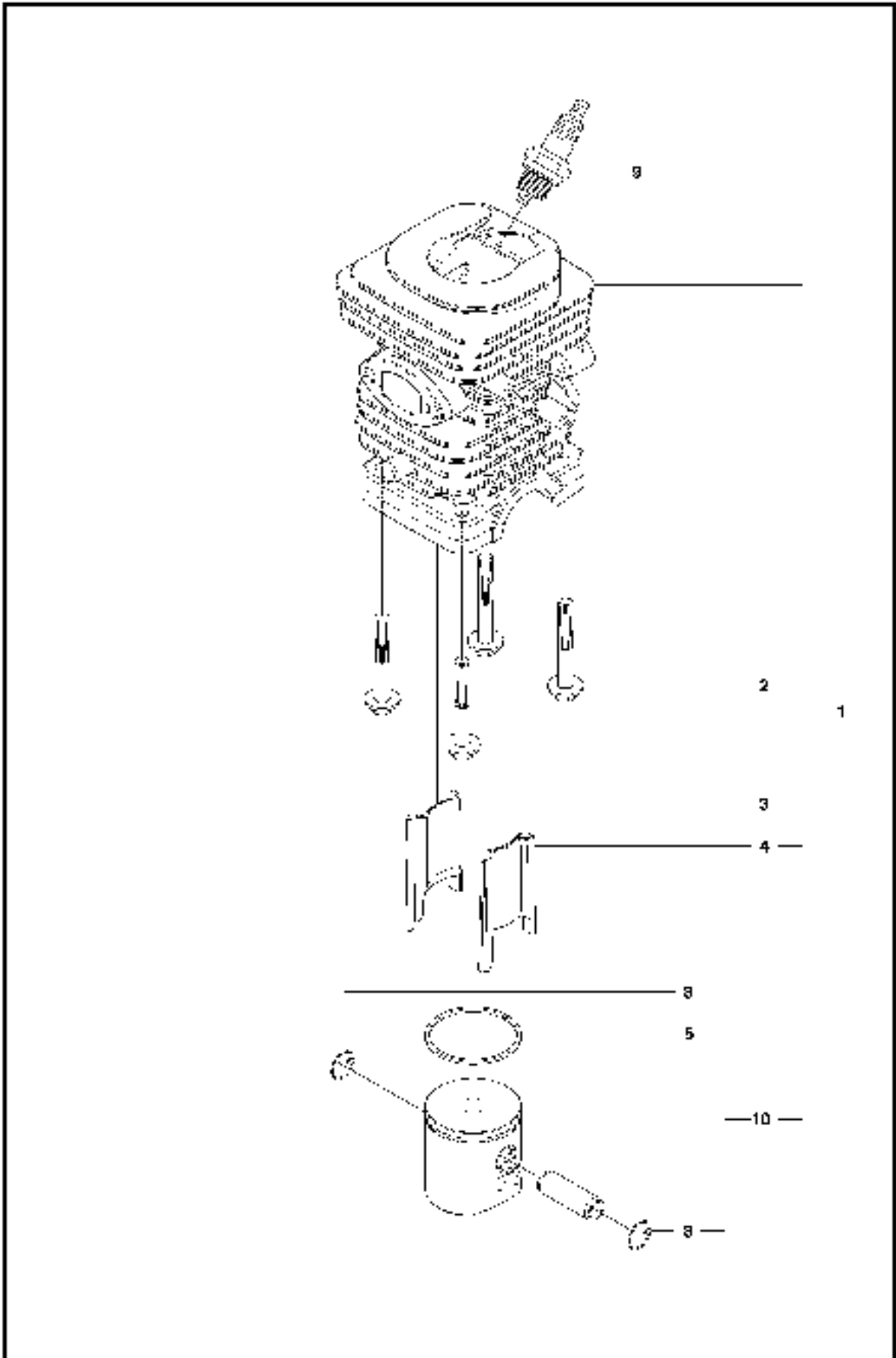
3



REF.	ART. NR	ARTIKELBESKRIVNING	ANMÄRKNING	KIT
1	581608001	SEAL		2 3
2	574449401	ASSEMBLY		1 3
3	577830802	KIT	CRANKSHAFT W / HARDMOUNT BEARINGS	1
4	585621401	LAGER		1 3



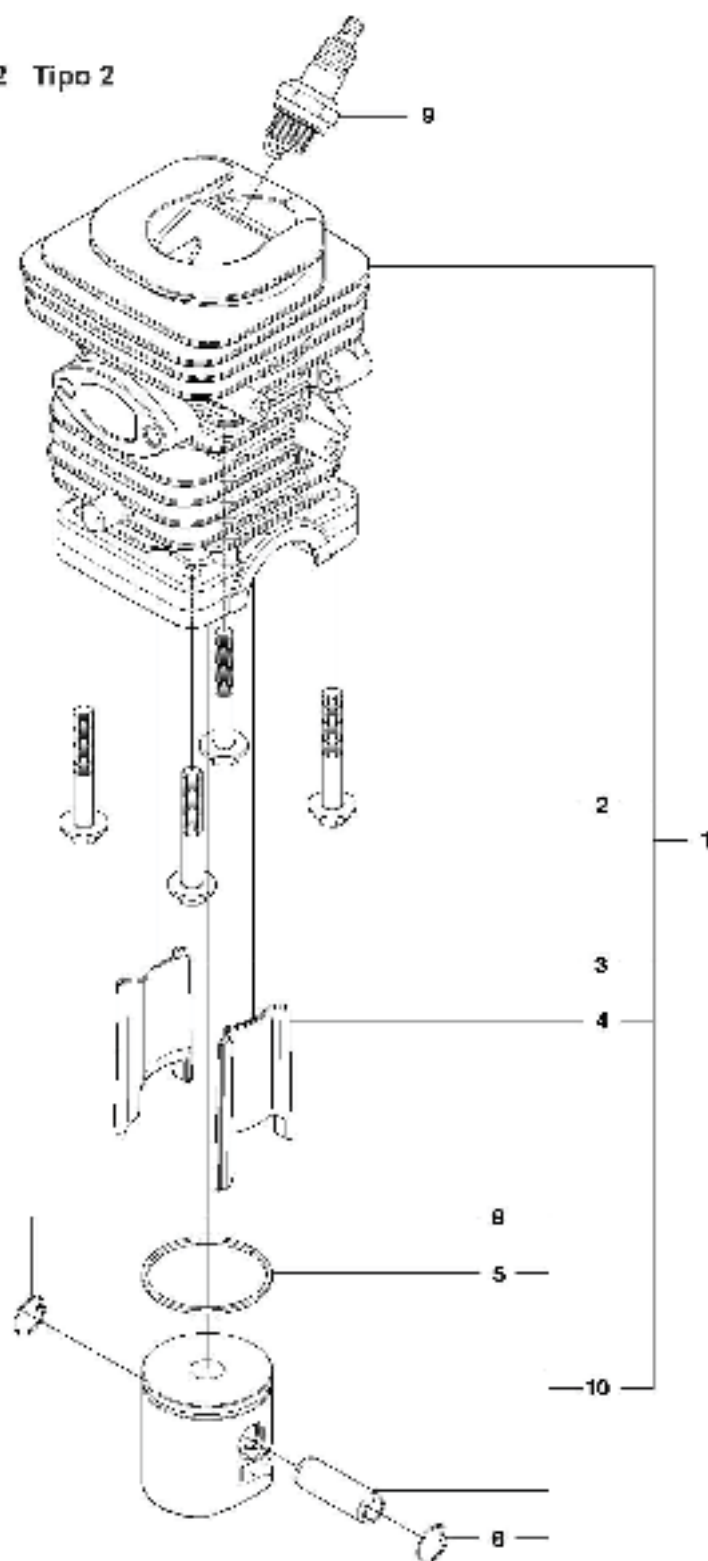
REF.	ART. NR	ARTIKELBESKRIVNING	ANMÄRKNING	KIT
1	530056363	LAGER	From 20080100001 up to 20101400000	2
1	576243901	LAGER	From 20101400001	2
2	580302601	VEVAXEL		1



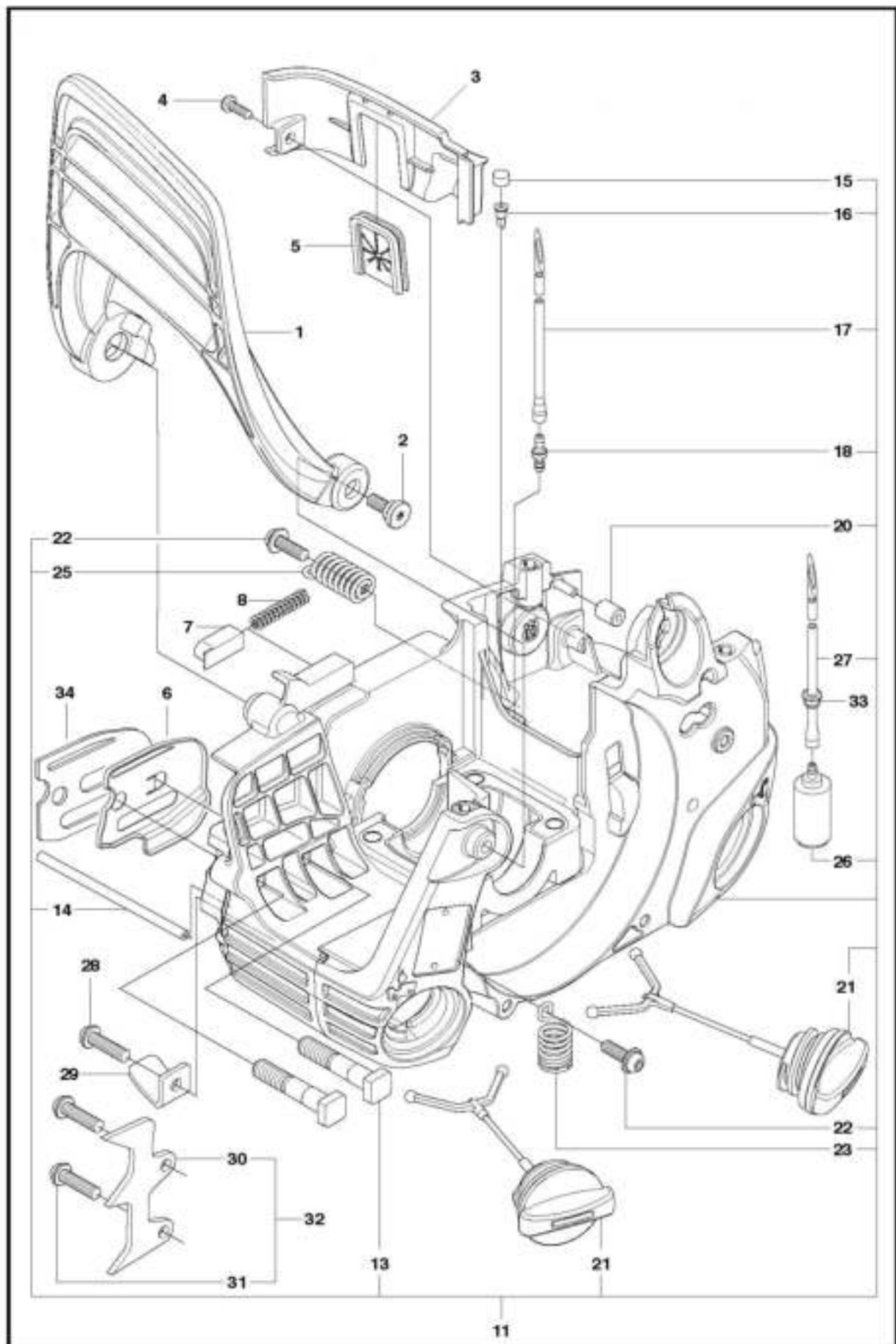
REF.	ART. NR	ARTIKELBESKRIVNING	ANMÄRKNING	KIT
1	545050417	KIT		1
2	545081501	BULT		4
3	574190901	INSATS		1
4	574190801	INSATS		1
5	530012608	KOLVRING		1
8	530015697	LOCKING RING		2
9	503235108	TÄNDSTIFT		1
10	545081894	KIT	PISTON	1 5.8

J2 236, 236c, 240, 240c
CYLINDER PISTON 38CC
From 2014400001

Type 2 Typ 2 Tipo 2

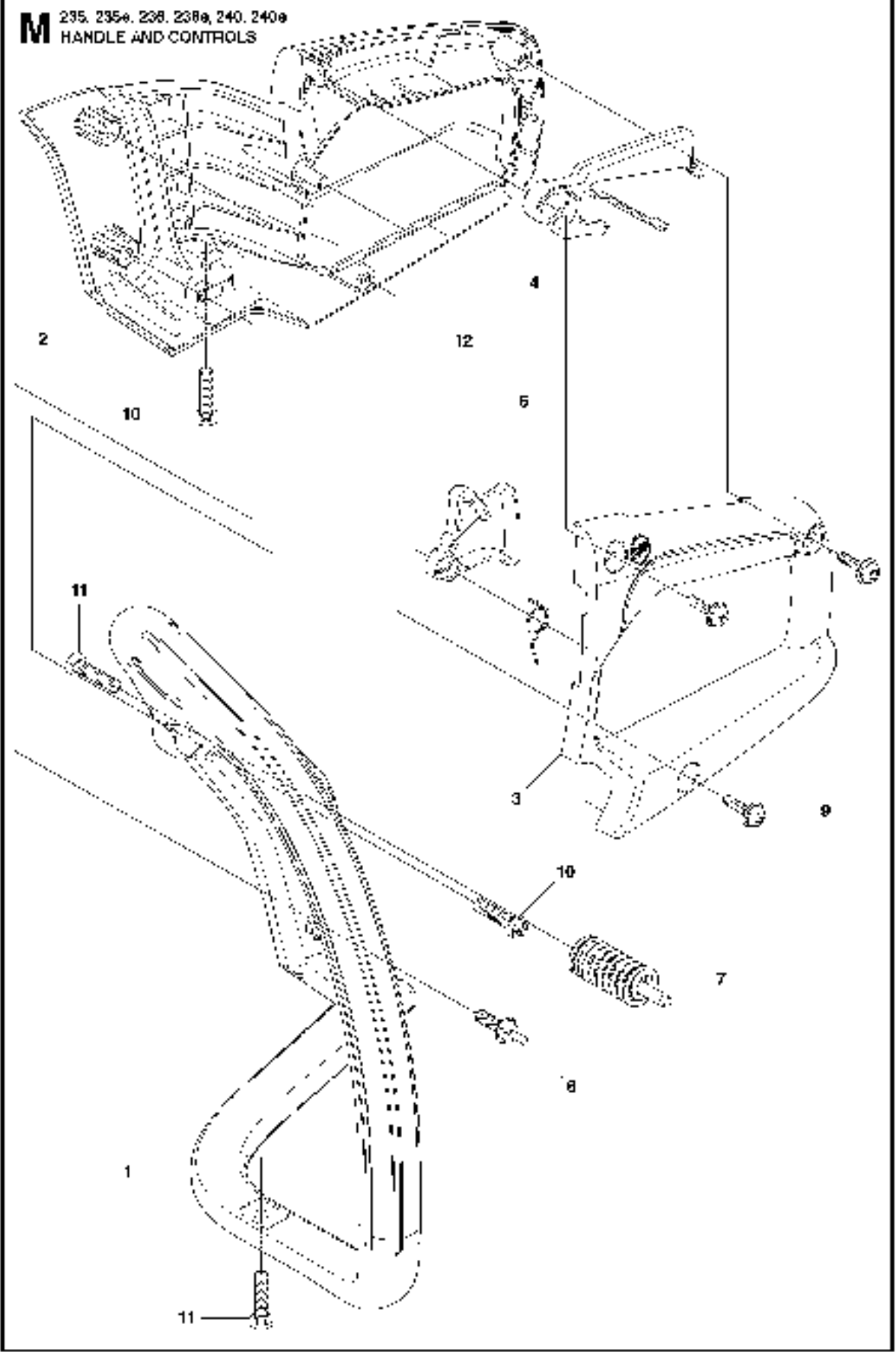


REF.	ART. NR	ARTIKELBESKRIVNING	ANMÄRKNING	KIT	
1	577831102	KIT	Not for US	1	
2	545081501	BULT		4	
3	574190901	INSATS		1	
4	574190801	INSATS		1	
5	585040601	KOLVRING		1	10
8	530015697	LOCKING RING		2	10
9	503235108	TÄNDSTIFT		1	
10	545081894	KIT		1	



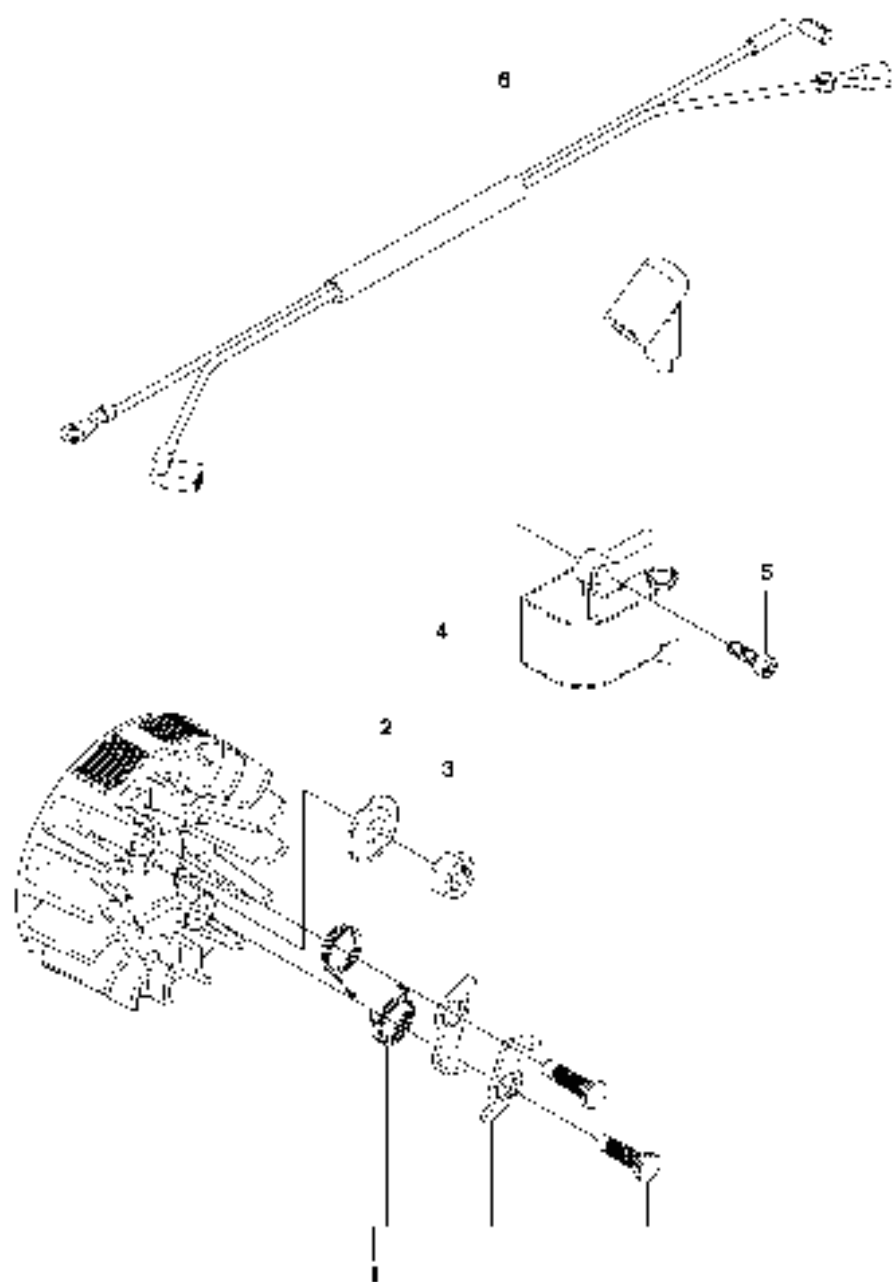
REF.	ART. NR	ARTIKELBESKRIVNING	ANMÄRKNING	KIT
1	575636901	KASTSKYDD	From 20080100001 up to 20101400000	1
1	577611901	KASTSKYDD	From 20101400001	1
2	545127301	BOSS		1
3	545061201	BAKHJUL		1
4	545227101	SCREW		1
5	545075401	GENOMFÖRING		1
6	545071401	SVÄRD		1
7	545071301	CAP. SPRING HANDGUARD		1
8	545071201	SPRING. HANDGUARD POSITION		1
11	579665201	CHASSI		1 13-27
13	530016133	BULT	From 20080100001 up to 20091400000	2
13	530015877	BULT	From 20091400001 up to 20101400000	2
13	529310301	BULT	From 20101400001	2
14	545033501	SLANG		1
15	530029868	PLUGG		1
16	530026119	VENTIL		1
17	530069216	BRÄNSLESLANG	From 20080100001 up to 20144000000	1
17	580727101	BRÄNSLESLANG	From 20144000001	1
18	530023877	NIPPEL		1
20	545061901	ISOLATOR		1
21	545070801	TANKLOCK KPL	From 20080100001 up to 20101400000	2
21	544111203	TANKLOCK KPL	From 20101400001	2
22	530015906	SCREW		2
23	545033801	ISOLATOR		1
25	545063101	FJÄDER	From 20080100001 up to 20144000000	1
25	577540601	FJÄDER	From 20144000001	1
26	530095646	FILTER	From 20080100001 up to 20091400000	1
26	577167201	BRÄNSLEFILTER	From 20091400001	1
26	530095601	BRÄNSLEFILTER	30 pcs. plastic bag of 530095646	1
27	545078302	LINE	From 20080100001 up to 20144000000	1
27	580727101	BRÄNSLESLANG	From 20144000001	1
27	580632317	LINE	From 20101400001 up to 20144000000. Use after date code 201220. Also use grommet 503735801 with this line.	1
28	530015814	SCREW		1
29	530029850	KEDJEFÅNGARE		2
30	530038990	FELLING DOG		1
31	530016439	SCREW		2
32	530014381	FELLING DOG		1
33	503735801	BUSHING	From 20144000001	1
34	592969801	DISTANSPLÅT	From 20144000001	1

M 235, 235a, 238, 238a, 240, 240a
HANDLE AND CONTROLS



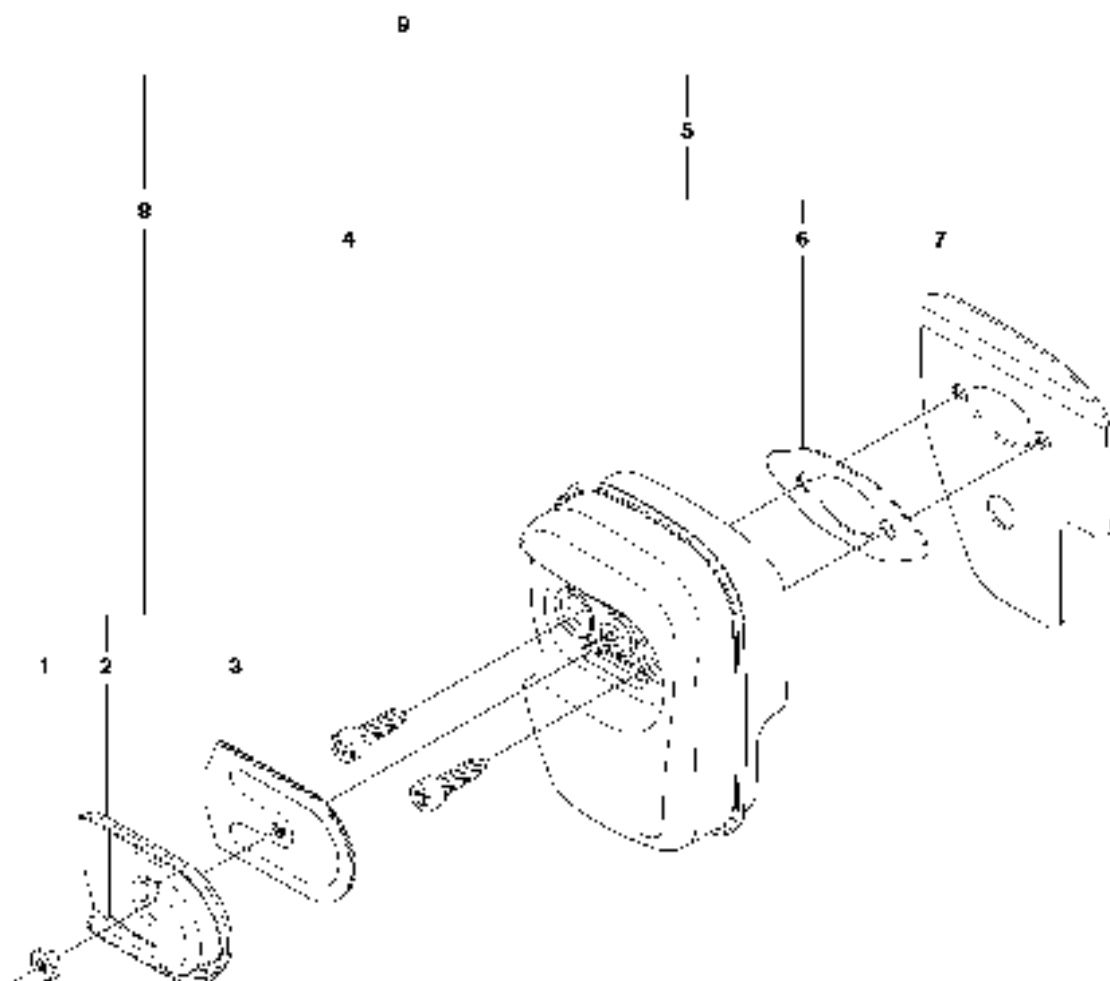
REF.	ART. NR	ARTIKELBESKRIVNING	ANMÄRKNING	KIT
1	545062401	HANDTAG FRÄMRE		1
2	545062202	REAR HANDLE W/OVMLD 240E		1
2	545062201	HANDTAG BAKRE		1
3	545062302	REAR HANDLE COVER W/OVMLD 240E		1
3	545062301	REAR HANDLE COVER 235/235E		1
4	545062601	LOCKOUT- THROTTLE		1 12
6	545121501	ASSY TRIGGER & SPRING	From 20080100001 up to 20144000000	1 12
6	578246701	UTLÖSARE	From 20144000001	1 12
7	545033901	ISOLATOR		1
8	545076301	ISOLATION LIMITER SCREW		1
9	530016433	SCREW		3
10	530016349	SCREW		2
11	530016432	SCREW		2
12	545081013	KIT	From 20080100001 up to 20144000000	1
12	578862201	KIT	From 20144000001	1

F 235, 235e, 238, 238e, 240, 240e
IGNITION SYSTEM



REF.	ART. NR	ARTIKELBESKRIVNING	ANMÄRKNING	KIT
1	530039147	SVÄNGHJUL KPL		1
2	530015127	BRICKA		1
3	530016134	MUTTER		1
4	545199901	TÄNDMODUL		1
5	545121901	SCREW		2
6	545079901	ASSY- WIRE HARNESS		1

G 235, 235e, 238, 238e, 240, 240e
MUFFLER



REF.	ART. NR	ARTIKELBESKRIVNING	ANMÄRKNING	KIT
1	574266401	MUTTER		1 8,9
2	545076901	EXHAUST PLATE		1 8,9
3	545167401	NÄT		1 8,9
4	530016338	BULT		2 5,9
5	586094301	LJUDDÄMPARE		1 9
6	530054884	MUFFLER GASKET		1 5,9
7	545066901	MUFFLER BACK PLATE		1 5,9
8	545008027	KIT		1 9
9	545180843	LJUDDÄMPARE		1

Q 235, 235e, 238, 238e, 240, 240e
SERVICE UPDATE



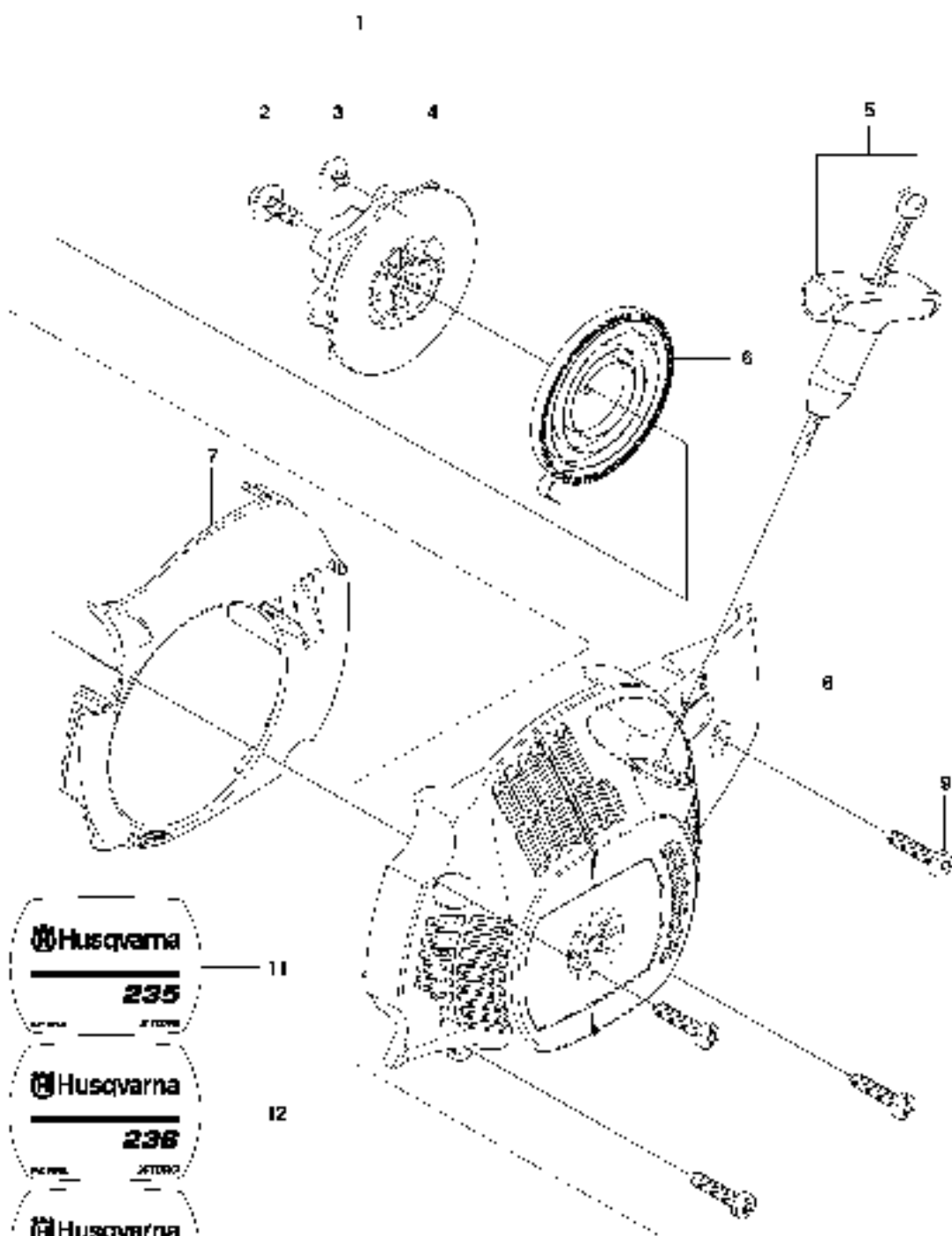
**Old hand guard up to
serial no. 20093899999**

1

REF.	ART. NR	ARTIKELBESKRIVNING	ANMÄRKNING	KIT
1	545066701	HANDGUARD		1

E2 235, 236, 240
STANDARD STARTER

10



REF.	ART. NR	ARTIKELBESKRIVNING	ANMÄRKNING	KIT
1	545008028	LINHJUL		1
2	530015920	SCREW		1 1,1
3	530016080	SCREW		1 1,1
4	530057890	LINHJUL		1 1,1
5	545010010	HANDTAG		1 10
6	530042095	FJÄDER		1 10
7	545063801	SKYDD		1
8	545063701	FLÄKTHUS		1 10
9	530016432	SCREW		4 10
10	545008025	KIT		1
11	545118503	DEKAL		1
12	575730301	DEKAL	From 20101400001 up to 20144000000	1
12	575729701	DEKAL	From 20144000001	1
13	545165947	DEKAL		1