

2041, 1994-12

GPL<sup>®</sup>

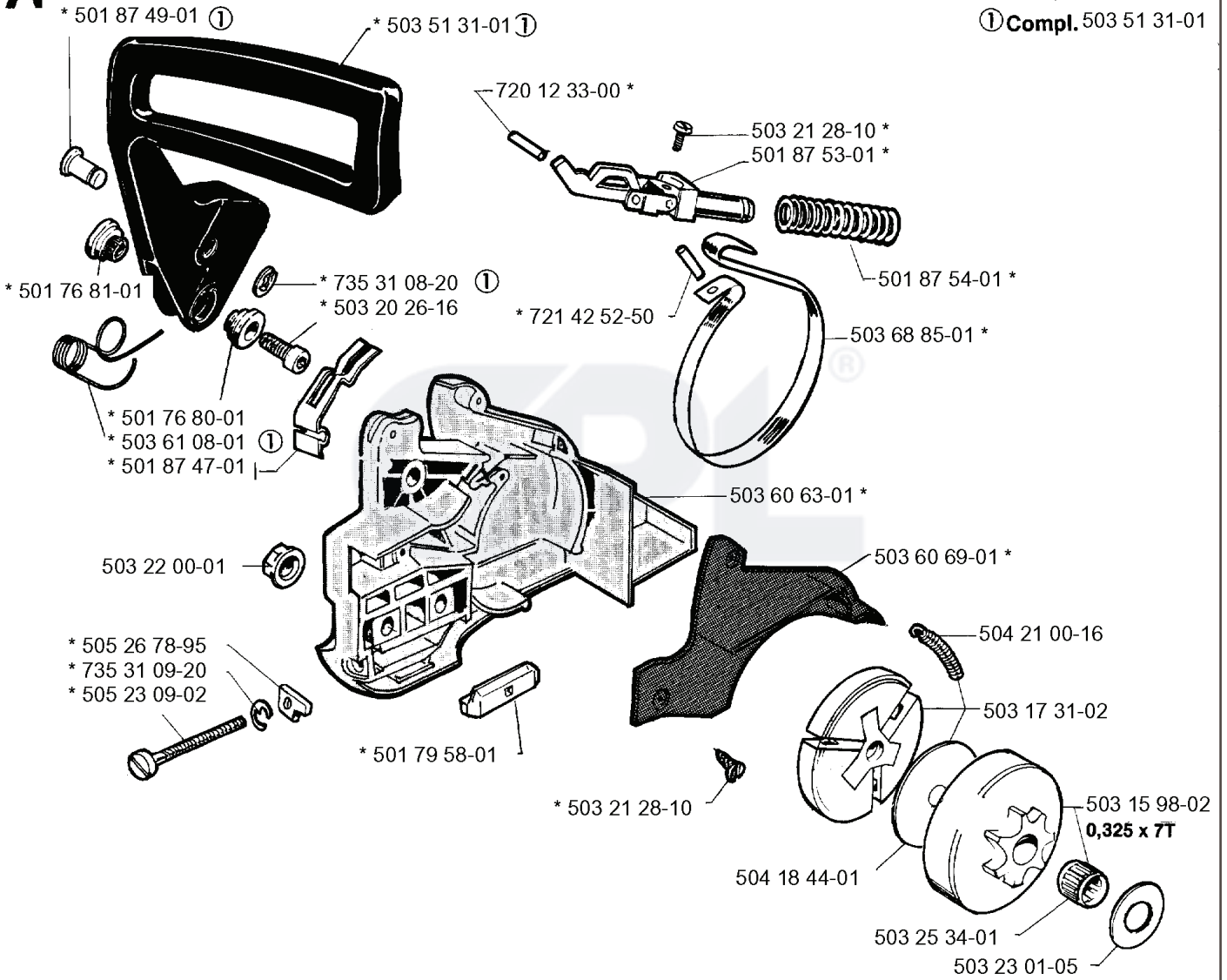
---

**SPARE PARTS LIST**

**A**

\*Compl. 503 61 06-01

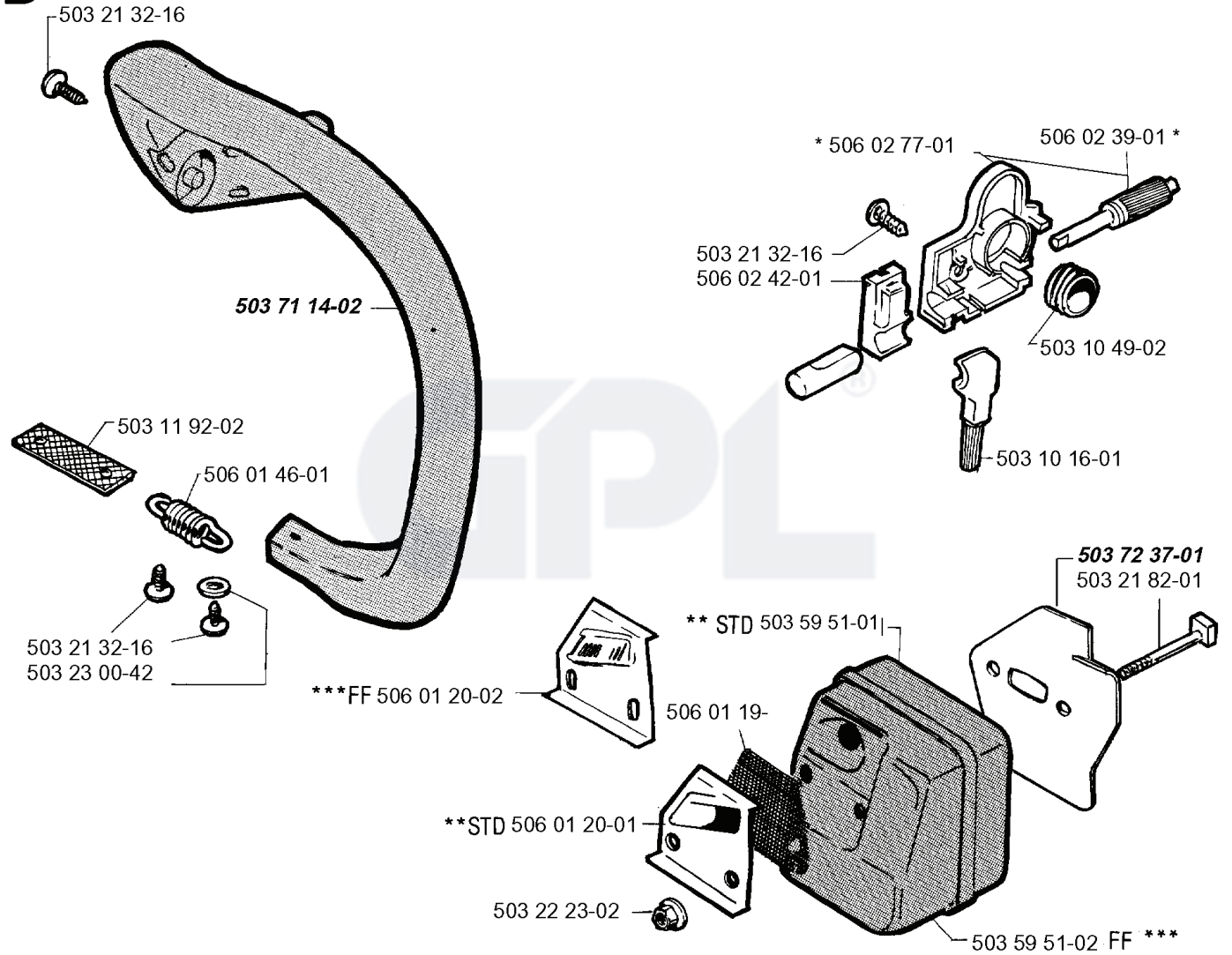
① Compl. 503 51 31-01



REF.	PART NO.	DESCRIPTION	REMARK	QTY.	KIT
501 87 49-01	501874901	PIVOT PIN		1	
501 76 81-01	501768101	SHAFT		1	
501 76 80-01	501768001	SHAFT		1	
503 61 08-01	503610801	POSITION SPRING		1	
501 87 47-01	501874701	SPRING		1	
503 22 00-01	503220001	HEXAGON NUT		1	
505 26 78-95	505267895	PAWL		1	
735 31 09-20	735310920	E-CLIP		1	
505 23 09-02	505230902	SCREW		1	
501 79 58-01	501795801	CHAIN GUIDE		1	
503 20 26-16	503202616	SCREW IHSCM		1	
735 31 08-20	735310820	E-CLIP		1	
720 12 33-00	720123300	PARALLEL PIN		1	
721 42 52-50	721425250	SPRING PIN		1	
503 60 63-01	503606301	CLUTCH COVER		1	
501 87 53-01	501875301	KNEE JOINT ASSY		1	
503 21 28-10	503212810	SCREW CCRPANT		1	
501 87 54-01	501875401	BRAKE SPRING		1	
503 68 85-01	503688501	BRAKE BAND		1	
503 60 69-01	503606901	HUB CAP		1	
504 21 00-16	504210016	CLUTCH SPRING		1	
503 17 31-02	503173102	CLUTCH		1	
504 18 44-01	504184401	WASHER		1	
503 25 34-01	503253401	NEEDLE BEARING		1	
503 23 01-05	503230105	WASHER		1	
503 15 98-02	503159802	CLUTCH DRUM	0,325 X 7T	1	
503 51 31-01	503513101	HAND GUARD		1	
503 61 06-01	503610601	CHAIN BRAKE ASSY		1	

**D**

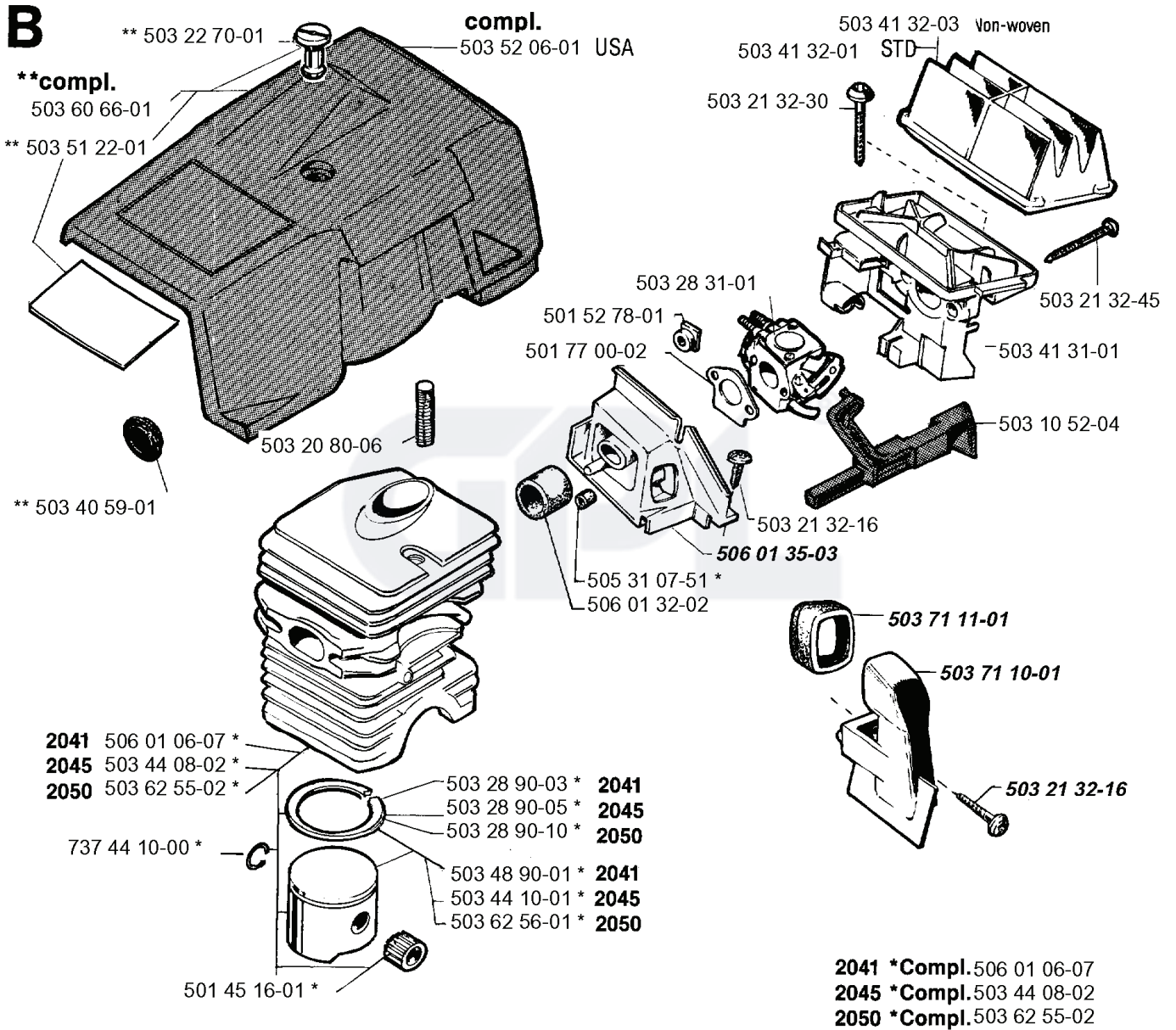
**\*Compl. 506 02 77-01**



**\*\*Compl. 503 59 51-01 STD**  
**\*\*\*Compl. 503 59 51-02 FF**

REF.	PART NO.	DESCRIPTION	REMARK	QTY.	KIT
503 71 14-02	503711402	FRONT HANDLE		1	
503 11 92-02	503119202	STRAP		1	
506 01 46-01	506014601	ANTIVIBRATION ELEMENT		1	
503 23 00-42	503230042	WASHER		1	
503 22 23-02	503222302	LOCK NUT		1	
506 01 20-01	506012001	GAS CONDUIT	STD	1	
506 01 20-02	506012002	GAS CONDUIT	FF	1	
503 59 51-01	503595101	MUFFLER KIT	STD	1	
506 01 19-02	506011902			1	
503 59 51-02	503595102	MUFFLER KIT	FF	1	
503 21 82-01	503218201	SCREW		1	
503 72 37-01	503723701	PLATE		1	
503 10 16-01	503101601	SUCTION HOSE ASSY		1	
503 10 49-02	503104902	PUMP PINION		1	
506 02 42-01	506024201	PRESSURE PIPE		1	
503 21 32-16	503213216	SCREW CITXPANT		1	
506 02 39-01	506023901	PUMP PISTON		1	
506 02 77-01	506027701	OIL PUMP ASSY		1	

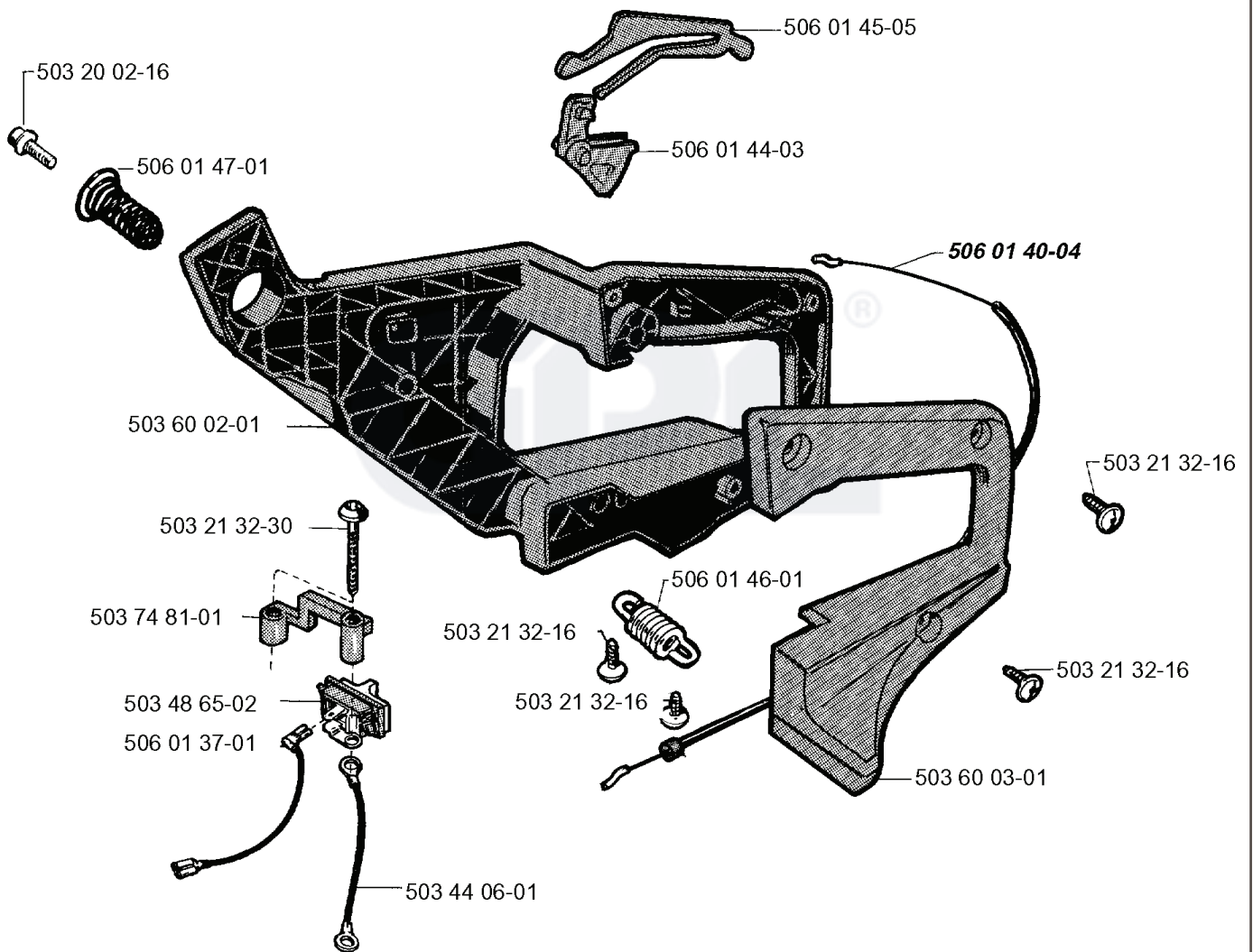




REF.	PART NO.	DESCRIPTION	REMARK	QTY.	KIT
503 22 70-01	503227001	NUT		1	
503 60 66-01	503606601	CYLINDER COVER		1	
503 51 22-01	503512201	HEAT PROTECTOR		1	
503 40 59-01	503405901	WINTER PLUG		1	
737 44 10-00	737441000	SNAP RING		1	
501 45 16-01	501451601	NEEDLE BEARING		1	
503 62 56-01	503625601	PISTON ASSY	2050	1	
503 44 10-01	503441001	PISTON ASSY	2045	1	
503 48 90-01	503489001	PISTON ASSY	2041	1	
503 28 90-10	503289010	PISTON RING	2050	1	
503 28 90-05	503289005	PISTON RING	2045	1	
503 28 90-03	503289003	PISTON RING	2041	1	
503 20 80-06	503208006	SCREW		1	
503 52 06-01	503520601	CYLINDER COVER ASSY	USA	1	
503 28 31-01	503283101	CARBURETTOR		1	
501 52 78-01	501527801	GROMMET		1	
501 77 00-02	501770002	GASKET		1	
505 31 07-51	505310751	IMPULSE HOSE		1	
506 01 32-02	506013202	INLET PIPE		1	
503 62 55-02	503625502	CYLINDER ASSY	2050	1	
503 44 08-02	503440802	CYLINDER ASSY	2045	1	
506 01 06-07	506010607	CYLINDER ASSY	2041	1	
503 21 32-16	503213216	SCREW CITXPANT		1	
503 71 10-01	503711001	NOZZLE		1	
503 71 11-01	503711101	GROMMET		1	
506 01 35-03	506013503	INSULATION WALL		1	
503 10 52-04	503105204	CHOKE CONTROL		1	
503 41 31-01	503413101	AIR FILTER HOLDER		1	
503 21 32-45	503213245	SCREW CITXPANT		1	
503 21 32-30	503213230	SCREW CITXPANT		1	
503 41 32-01	503413201	AIR FILTER		1	
503 41 32-03	503413203	AIR FILTER	STD	1	



C



REF.	PART NO.	DESCRIPTION	REMARK	QTY.	KIT
503 20 02-16	503200216	SCREW IHSCFM		1	
506 01 47-01	506014701	ANTIVIBRATION ELEMENT		1	
503 60 02-01	503600201	HANDLE HALF		1	
503 21 32-30	503213230	SCREW CITXPANT		1	
503 74 81-01	503748101	CLAMP		1	
503 48 65-02	503486502	STOP SWITCH		1	
506 01 37-01	506013701	CABLE		1	
503 44 06-01	503440601	GROUND CABLE		1	
503 21 32-16	503213216	SCREW CITXPANT		1	
506 01 45-05	506014505	THROTTLE LOCKOUT		1	
506 01 44-03	506014403	THROTTLE TRIGGER		1	
506 01 46-01	506014601	ANTIVIBRATION ELEMENT		1	
503 60 03-01	503600301	HANDLE HALF		1	
506 01 40-04	506014004	THROTTLE CABLE		1	



H



503 73 70-01



503 73 73-01



503 73 71-01



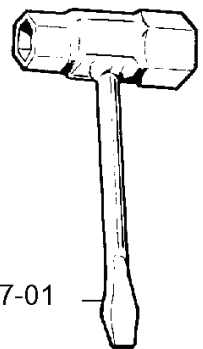
503 73 74-01



503 73 72-01



503 73 75-01



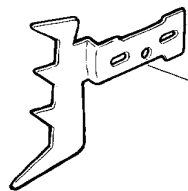
501 69 17-01

---

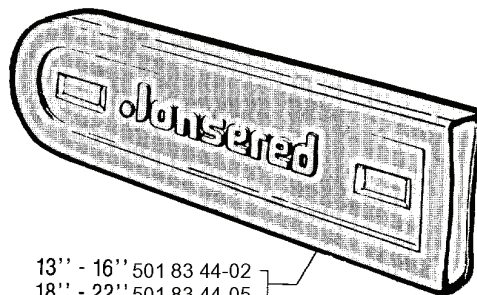
REF.	PART NO.	DESCRIPTION	REMARK	QTY.	KIT
5037370-01	503737001	LABEL	2041 TUR80	1	
5037373-01	503737301	LABEL	2041 TUR80	1	
5037371-01	503737101	LABEL	2045 TUR80	1	
5037374-01	503737401	LABEL	2045 TUR80	1	
5037372-01	503737201	LABEL	2050 TUR80	1	
5037375-01	503737501	LABEL	2050 TUR80	1	
5016917-01	501691701	COMBINATION WRENCH		1	



I



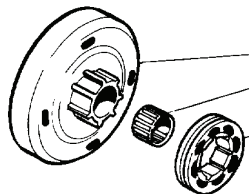
506 01 49-01



13'' - 16'' 501 83 44-02  
18'' - 22'' 501 83 44-05

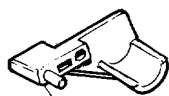
J

\*Compl. 503 15 98-01

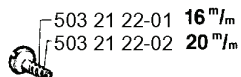


\* 503 15 98-01  
\* 503 25 34-01

501 45 74-02  
0,325 x 7T

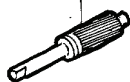


503 52 74-01



503 21 22-01 16<sup>m</sup>/m  
503 21 22-02 20<sup>m</sup>/m

506 02 39-02 Veg. Oil.

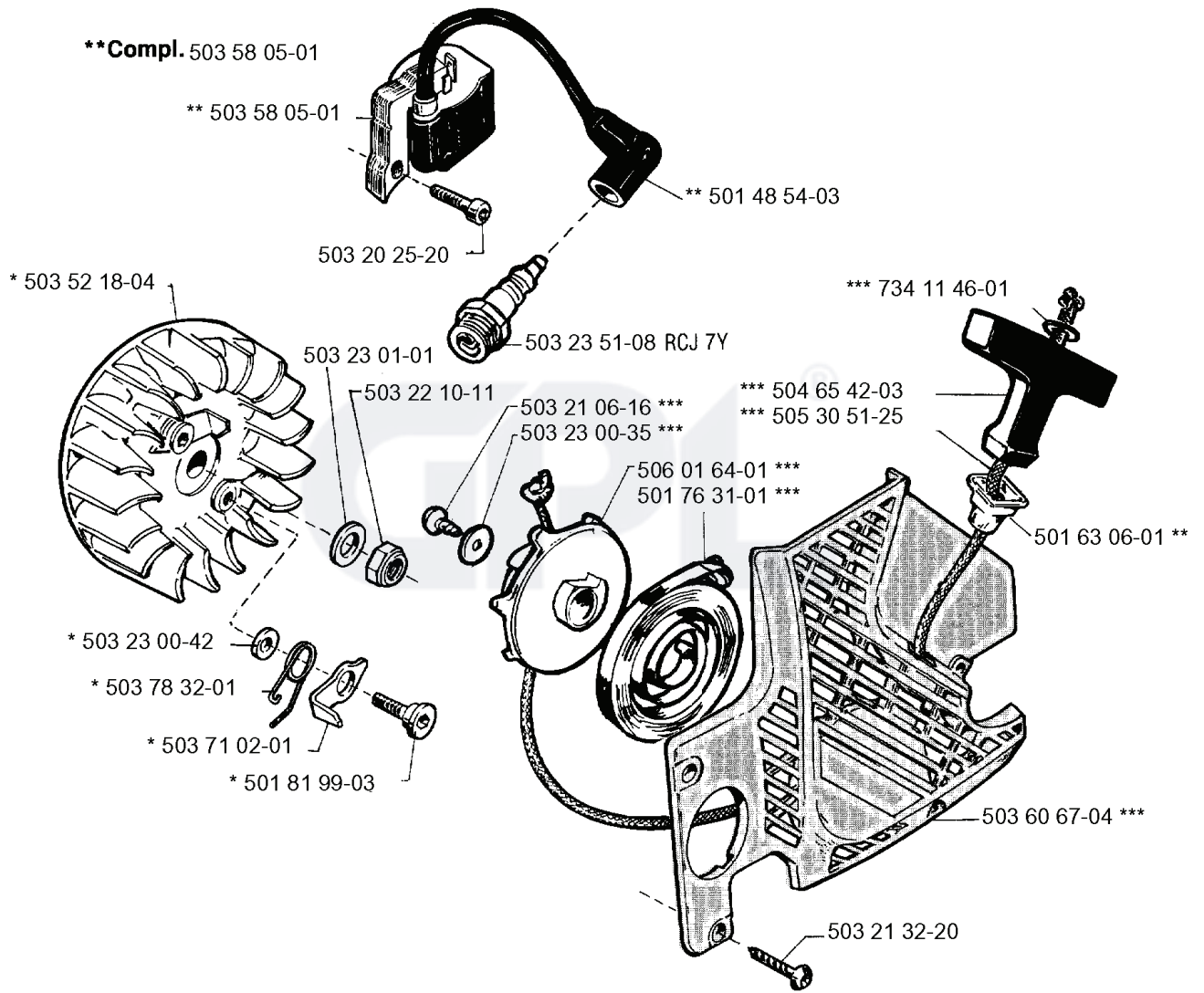


Leveras endast som reservdel  
Delivery as spare part only  
Nur als Ersatzteil lieferbar  
Livable seulement comme pièce de réchange  
Solo como repuesto

REF.	PART NO.	DESCRIPTION	REMARK	QTY.	KIT
501 83 44-02	501834402	BAR COVER		1	
503 15 98-01	503159801	CLUTCH DRUM		1	
501 83 44-05	501834405	BAR COVER		1	
503 25 34-01	503253401	NEEDLE BEARING		1	
501 45 74-02	501457402	RIM	0.325 X 7T	1	
503 52 74-01	503527401	PEN		1	
503 21 22-01	503212201	SCREW SLPANT	16 M/M	1	
503 21 22-02	503212202	SCREW SLPANT	20 M/M	1	
506 02 39-02	506023902	PUMP PISTON	VEG. OIL.	1	
506 01 49-01	506014901	SPIKE		1	



**F**



**\*\*Compl.** 503 58 05-01

\*\* 503 58 05-01

\*\* 501 48 54-03

503 20 25-20

\* 503 52 18-04

\*\*\* 734 11 46-01

503 23 01-01

503 23 51-08 RCJ 7Y

503 22 10-11

503 21 06-16 \*\*\*

503 23 00-35 \*\*\*

\*\*\* 504 65 42-03

\*\*\* 505 30 51-25

506 01 64-01 \*\*\*

501 76 31-01 \*\*\*

501 63 06-01 \*\*

\* 503 23 00-42

\* 503 78 32-01

\* 503 71 02-01

\* 501 81 99-03

503 60 67-04 \*\*\*

503 21 32-20

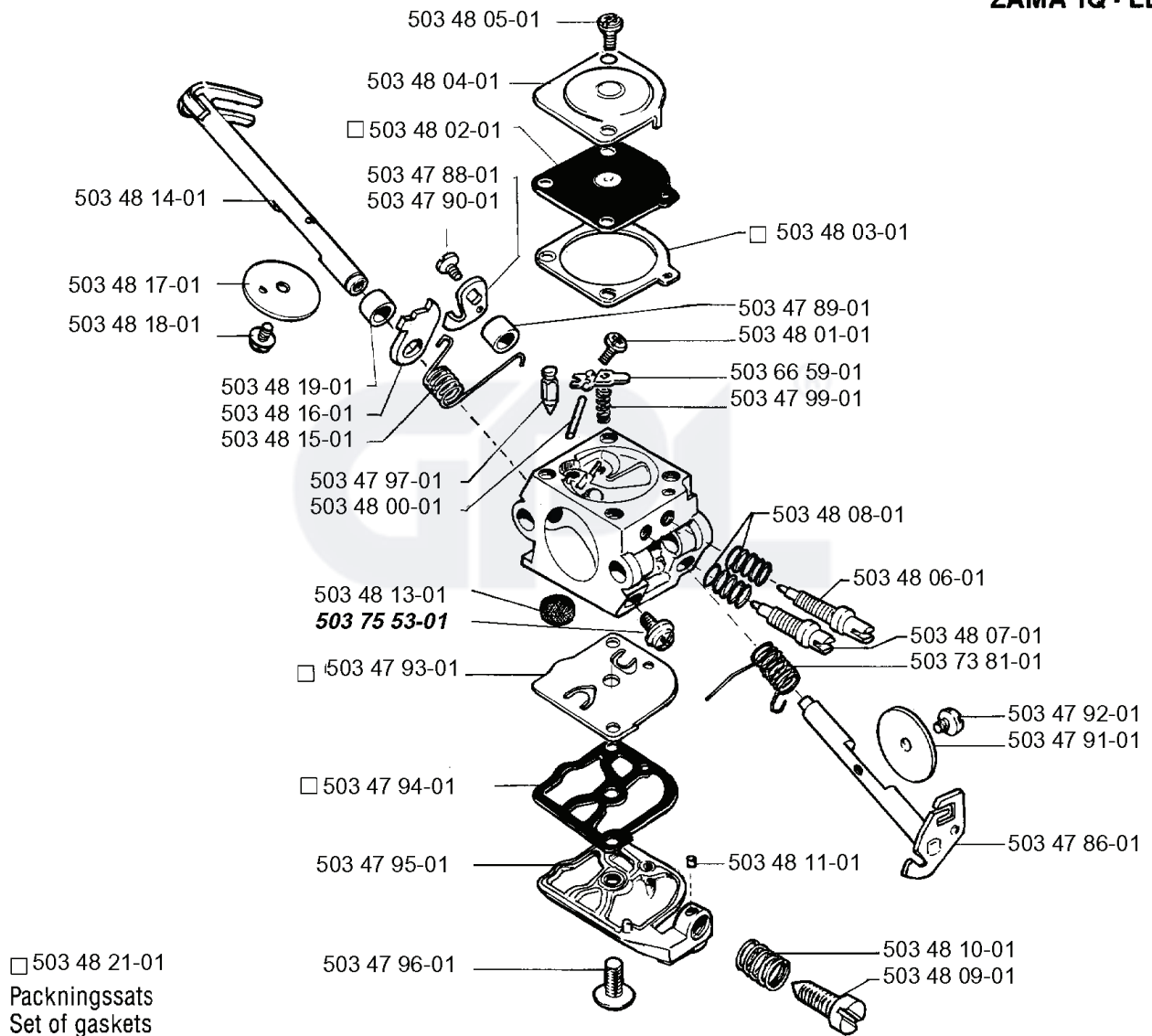
**\*\*\*compl.** 503 61 1

REF.	PART NO.	DESCRIPTION	REMARK	QTY.	KIT
5035805-01	503580501	IGNITION MODULE		1	
5032300-42	503230042	WASHER		1	
5037832-01	503783201	SPRING		1	
5037102-01	503710201	PAWL		1	
5018199-03	501819903	SCREW		1	
5035218-04	503521804	FLYWHEEL ASSY		1	
5032210-11	503221011	HEXAGON NUT		1	
5032301-01	503230101	WASHER		1	
5032025-20	503202520	SCREW IHSCM		1	
5014854-03	501485403	SPARK PLUG CAP		1	
5032351-08	503235108	SPARK PLUG	RCJ 7Y	1	
5032106-16	503210616	SCREW IHSCM		1	
5032300-35	503230035	WASHER		1	
5060164-01	506016401	STARTER PULLEY		1	
5017631-01	501763101	SPRING CASSETTE ASSY		1	
5036115-01	503611501	STARTER ASSY		1	
5032132-20	503213220	SCREW CITXPANT		1	
5036067-04	503606704	STARTER HOUSING		1	
5016306-01	501630601	SLEEVE		1	
5053051-25	505305125	STARTER ROPE		1	
5046542-03	504654203	STARTER HANDLE		1	
7341146-01	734114601	WASHER		1	



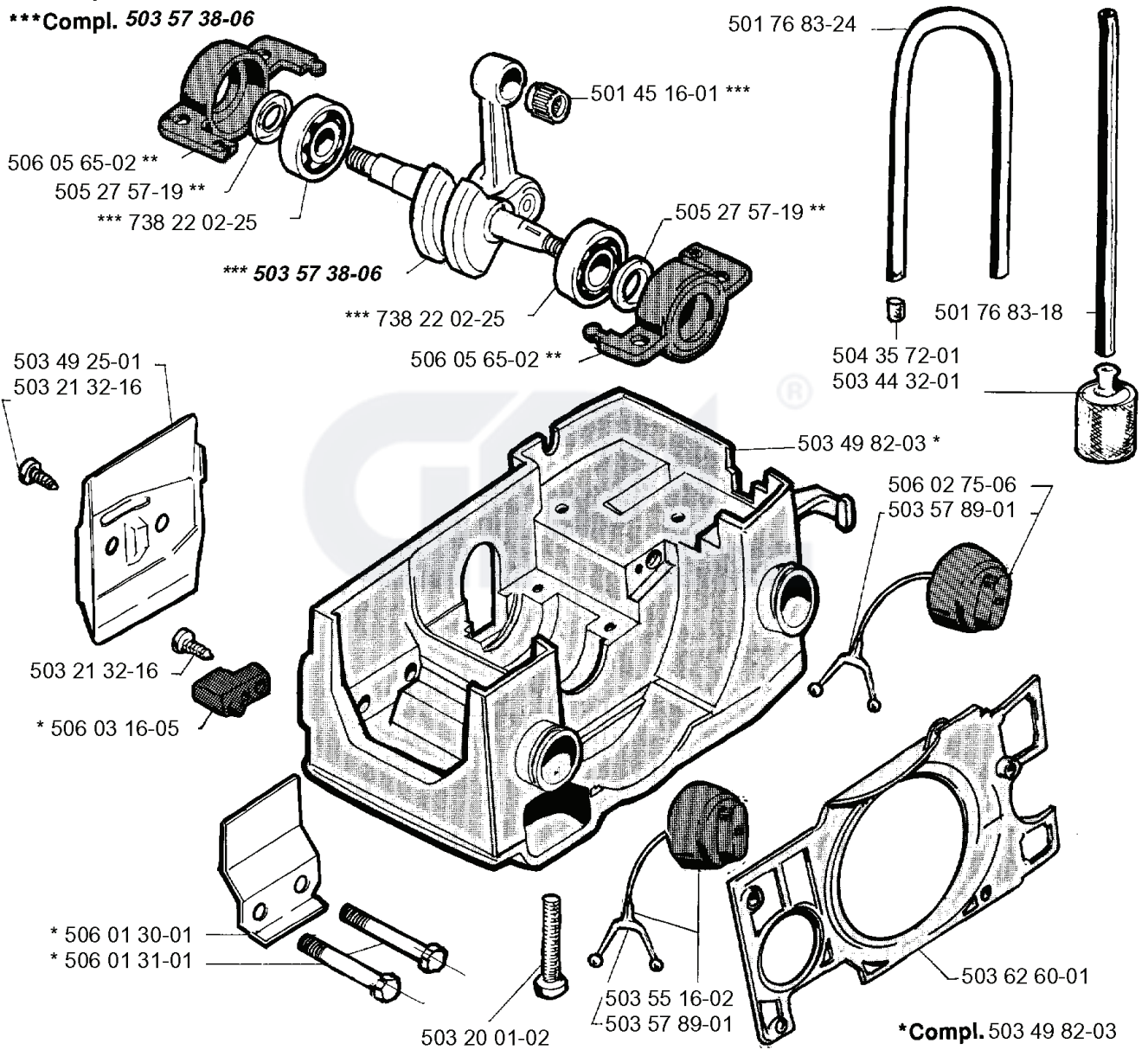
G

ZAMA 1Q - EL 1



REF.	PART NO.	DESCRIPTION	REMARK	QTY.	KIT
503 48 14-01	503481401	SHAFT ASSY		1	
503 48 17-01	503481701	VALVE		1	
503 48 18-01	503481801	SCREW		1	
503 48 19-01	503481901	COLLAR		1	
503 48 16-01	503481601	LEVER		1	
503 48 15-01	503481501	SPRING		1	
503 47 97-01	503479701	VALVE		1	
503 48 00-01	503480001	PIN RETAINING SCREW		1	
503 48 13-01	503481301	STRAINER		1	
503 75 53-01	503755301	SCREW		1	
503 47 93-01	503479301	DIAPHRAGM PUMP	503 48 21-01 SET OF GASKETS	1	
503 47 94-01	503479401	GASKET	503 48 21-01 SET OF GASKETS	1	
503 47 95-01	503479501	COVER		1	
503 47 96-01	503479601	SCREW		1	
503 48 09-01	503480901	SCREW		1	
503 48 10-01	503481001	SPRING		1	
503 48 11-01	503481101	PIECE		1	
503 47 86-01	503478601	SHAFT ASSY		1	
503 47 91-01	503479101	VALVE		1	
503 47 92-01	503479201	SCREW		1	
503 73 81-01	503738101	RECOIL SPRING		1	
503 48 07-01	503480701	SCREW		1	
503 48 06-01	503480601	SCREW		1	
503 48 08-01	503480801	SPRING		1	
503 47 99-01	503479901	SPRING		1	
503 66 59-01	503665901	LEVER		1	
503 48 01-01	503480101	SCREW		1	
503 47 89-01	503478901	COLLAR		1	
503 48 03-01	503480301	GASKET	503 48 21-01 SET OF GASKETS	1	
503 47 90-01	503479001	SCREW		1	
503 47 88-01	503478801	LEVER		1	
503 48 02-01	503480201	DIAPHRAGM	503 48 21-01 SET OF GASKETS	1	
503 48 04-01	503480401	COVER		1	
503 48 05-01	503480501	SCREW		1	

**E** **\*\*Compl.** 506 05 65-02  
**\*\*\*Compl.** 503 57 38-06



REF.	PART NO.	DESCRIPTION	REMARK	QTY.	KIT
506 05 65-02	506056502	SEAL		1	
505 27 57-19	505275719	SEALING RING		1	
738 22 02-25	738220225	BALL BEARING		1	
503 49 25-01	503492501	CHAIN GUIDE PLATE		1	
503 21 32-16	503213216	SCREW CITXPANT		1	
506 03 16-05	506031605	CHAIN CATCHER PIN		1	
506 01 30-01	506013001	HEAT PROTECTOR		1	
506 01 31-01	506013101	BAR BOLT		1	
503 57 38-06	503573806	CRANKSHAFT ASSY		1	
503 20 01-02	503200102	SCREW EHHFMO		1	
503 55 16-02	503551602	TANK CAP ASSY		1	
501 45 16-01	501451601	NEEDLE BEARING		1	
501 76 83-24	501768324	FUEL HOSE		1	
504 35 72-01	504357201	PLUG		1	
503 44 32-01	503443201	FUEL FILTER		1	
506 02 75-06	506027506	TANK CAP ASSY		1	
503 57 89-01	503578901	HOLDER		1	
503 62 60-01	503626001	AIR CONDUCTOR		1	
503 49 82-03	503498203	TANK ASSY		1	
501 76 83-18	501768318	FUEL HOSE		1	

