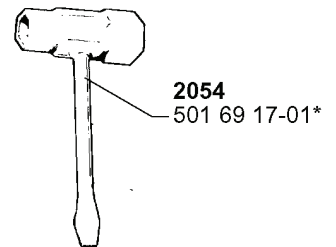
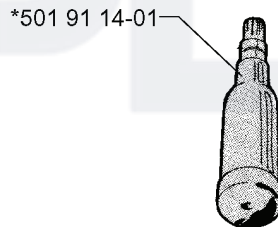
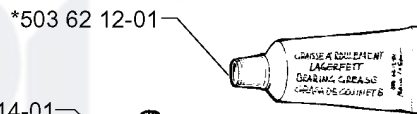
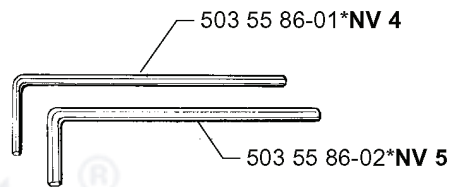
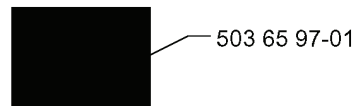


2055, 2000-05

GPL[®]

SPARE PARTS LIST

H

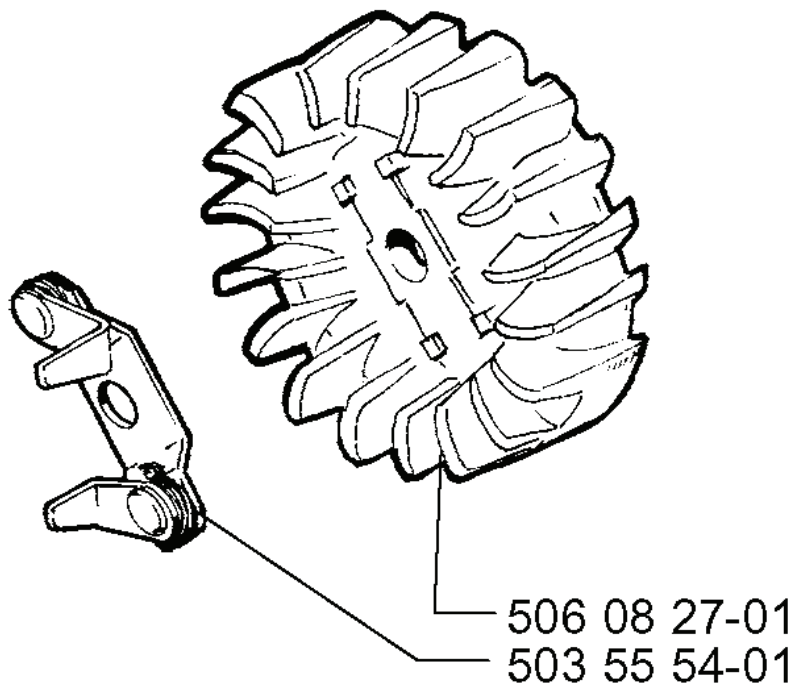
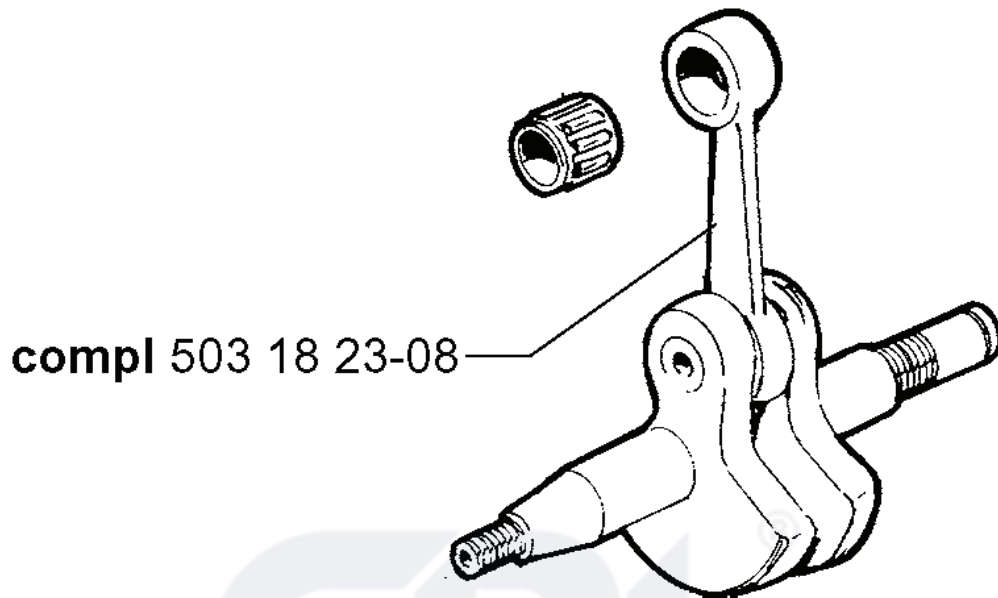


*compl 503 55 85-01 - 2055

REF.	PART NO.	DESCRIPTION	REMARK	QTY.	KIT
503 69 44-01	503694401	DECAL		1	
503 69 44-02	503694402	DECAL		1	
503 69 44-03	503694403	LABEL		1	
503 69 43-01	503694301	DECAL		1	
503 69 43-05	503694305	DECAL		1	
503 69 43-02	503694302	DECAL		1	
503 69 43-03	503694303	DECAL		1	
503 69 43-04	503694304	LABEL		1	
503 55 85-01	503558501	TOOL	2055	1	
501 69 17-01	501691701	COMBINATION WRENCH	2054	1	
501 91 14-01	501911401	GREASE GUN		1	
503 62 12-01	503621201	GREASE		1	
503 55 86-02	503558602	SPANNER	NV 5	1	
503 55 86-01	503558601	SPANNER	NV 4	1	
503 65 97-01	503659701	DECAL		1	



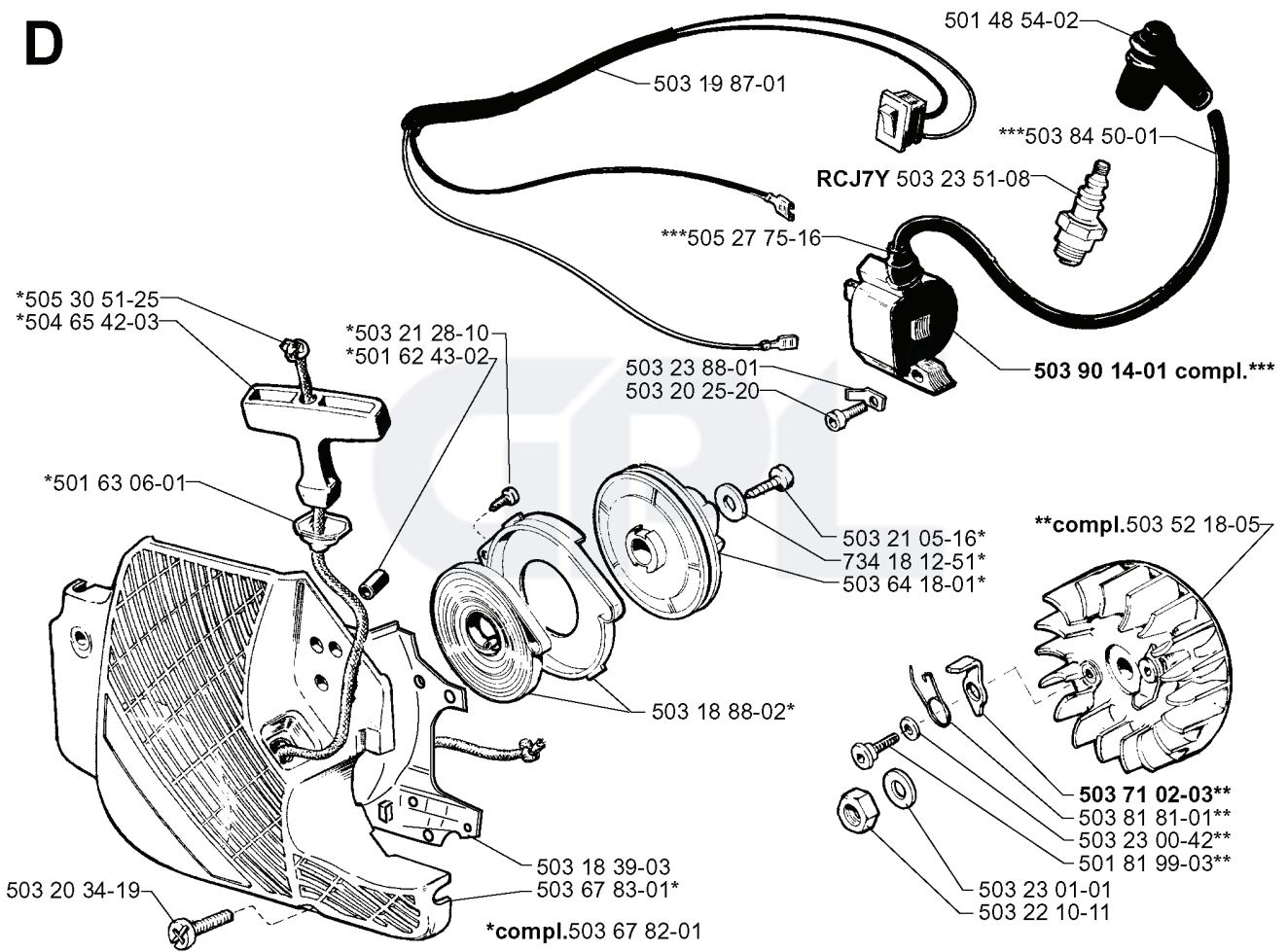
Up to (1994) 2054- 4390491



REF.	PART NO.	DESCRIPTION	REMARK	QTY.	KIT
503 18 23-08	503182308	CRANKSHAFT		1	
506 08 27-01	506082701	FLYWHEEL		1	
503 55 54-01	503555401	STARTER PAWL BRIDGE		1	

GPL®

D

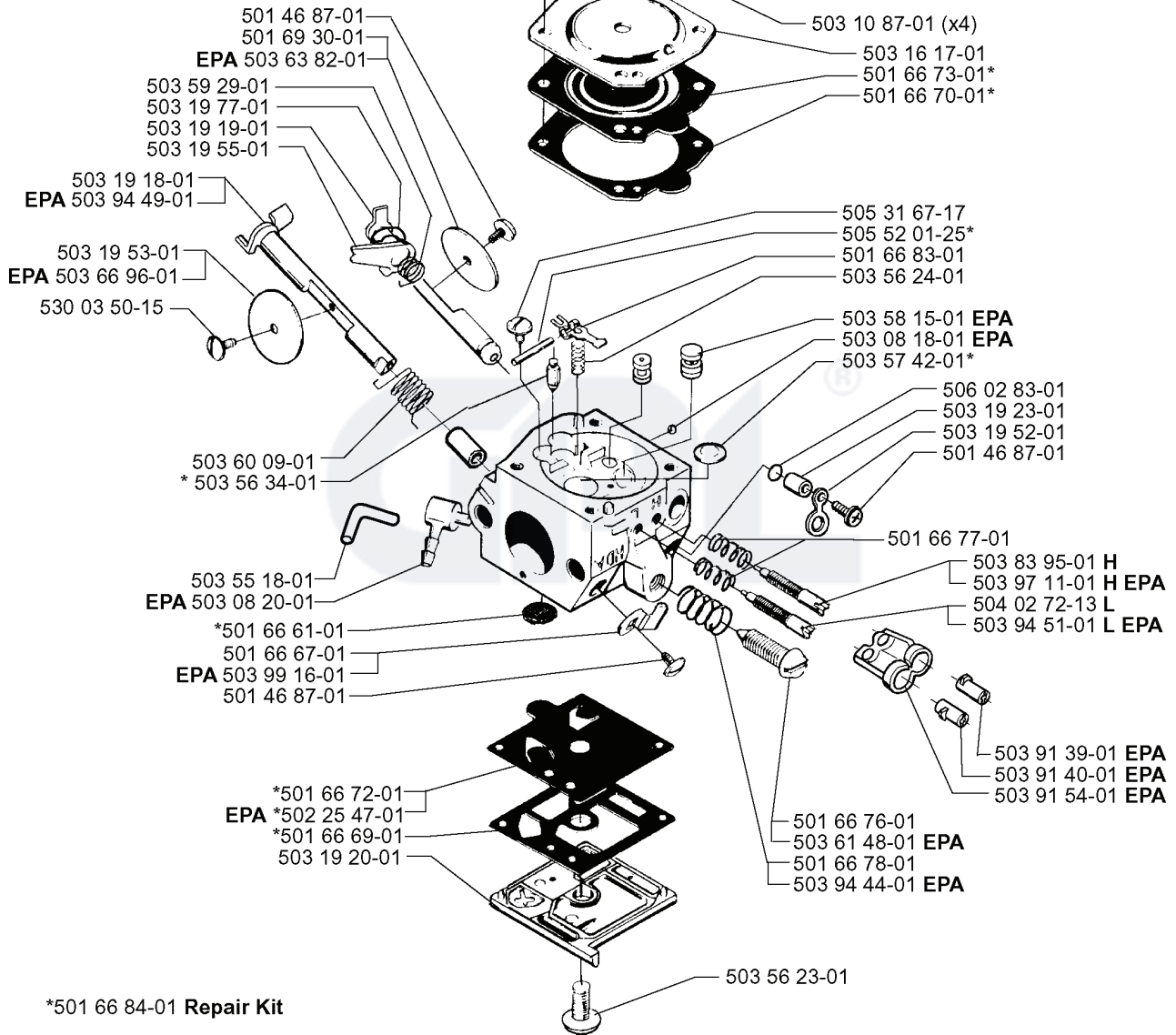


REF.	PART NO.	DESCRIPTION	REMARK	QTY.	KIT
505 30 51-25	505305125	STARTER ROPE		1	
504 65 42-03	504654203	STARTER HANDLE		1	
501 63 06-01	501630601	SLEEVE		1	
503 20 34-19	503203419	SCREW CCRPANMO		1	
503 67 82-01	503678201	STARTER ASSY		1	
503 67 83-01	503678301	STARTER HOUSING		1	
503 18 39-03	503183903	AIR CONDUCTOR		1	
503 18 88-02	503188802	SPRING CASSETTE ASSY		1	
501 62 43-02	501624302	SEALING RING		1	
503 21 28-10	503212810	SCREW CCRPANT		1	
503 19 87-01	503198701	WIRING ASSY		1	
505 27 75-16	505277516	CABLE SLEEVE		1	
503 23 88-01	503238801	FLAT PIN		1	
503 20 25-20	503202520	SCREW IHSCM		1	
503 21 05-16	503210516	SCREW IH SCT		1	
734 18 12-51	734181251	WASHER		1	
503 64 18-01	503641801	STARTER PULLEY		1	
503 23 01-01	503230101	WASHER		1	
503 22 10-11	503221011	HEXAGON NUT		1	
501 81 99-03	501819903	SCREW		1	
503 23 00-42	503230042	WASHER		1	
503 81 81-01	503818101	SPRING		1	
503 71 02-03	503710203	STARTER PAWL		1	
503 52 18-05	503521805	FLYWHEEL ASSY		1	
503 90 14-01	503901401	ELECTRONIC MODULE		1	
503 23 51-08	503235108	SPARK PLUG	RCJ7Y	1	
503 84 50-01	503845001	CABLE		1	
501 48 54-02	501485402	SPARK PLUG CAP		1	

G

compl 503 28 16-09
compl 503 28 16-12 EPA

**Walbro HDA 119 A
Walbro HDA 143 A**

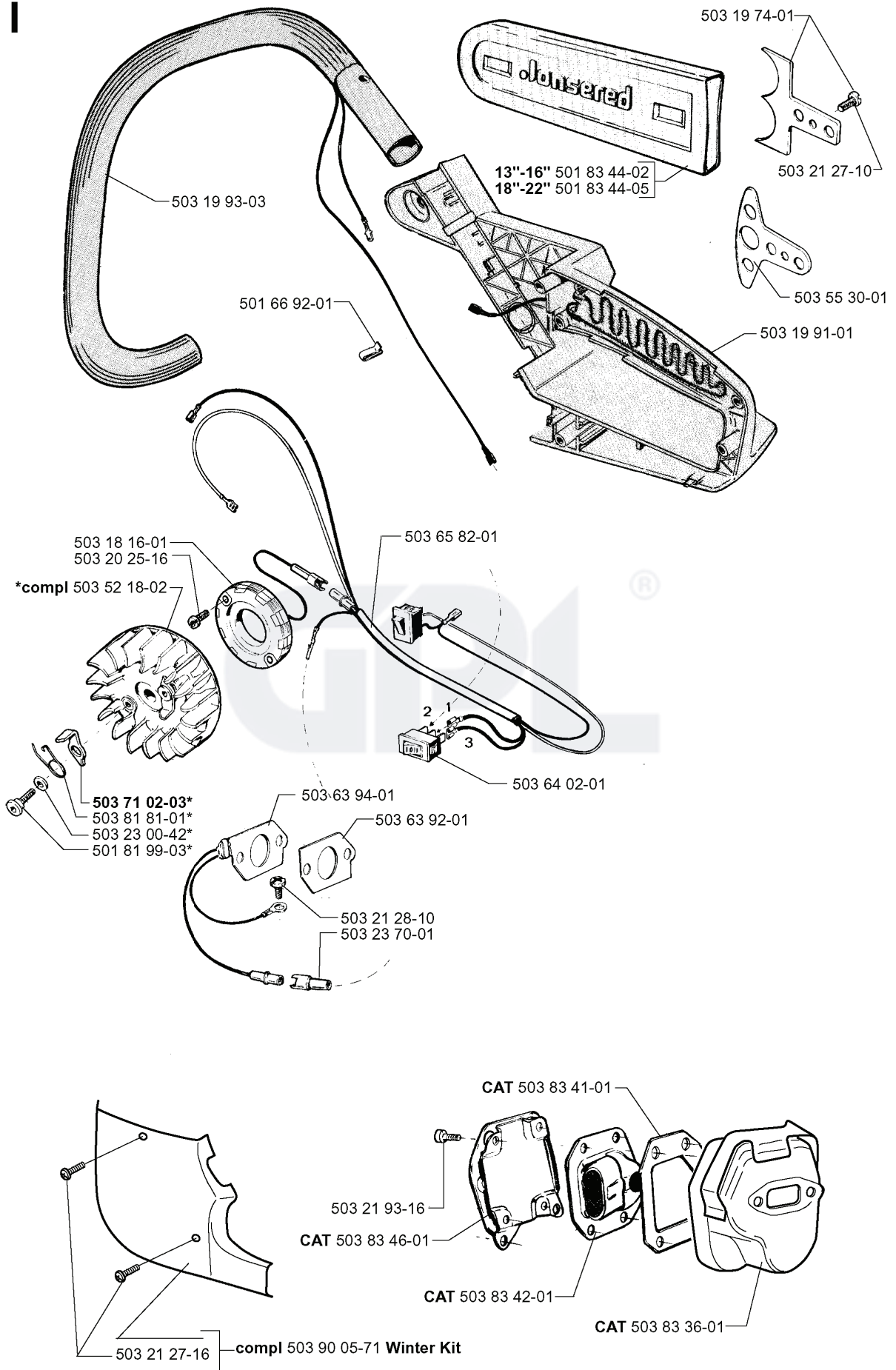


REF.	PART NO.	DESCRIPTION	REMARK	QTY.	KIT
503 28 16-09	503281609	CARBURETTOR		1	
503 28 16-12	503281612	CARBURETTOR	EPA	1	
501 69 30-01	501693001	VALVE		1	
503 63 82-01	503638201	VALVE CHOKE	EPA	1	
503 59 29-01	503592901	SPRING		1	
503 19 77-01	503197701	WASHER		1	
503 19 19-01	503191901	SHAFT ASSY		1	
503 19 55-01	503195501	LEVER		1	
503 19 18-01	503191801	SHAFT ASSY		1	
503 94 49-01	503944901	SHAFT ASSY	EPA	1	
503 19 53-01	503195301	VALVE-THROTTLE		1	
503 66 96-01	503669601	VALVE THROTTLE	EPA	1	
530 03 50-15	530035015	SCREW		1	
503 60 09-01	503600901	SPRING		1	
503 56 34-01	503563401	NEEDLE VALVE		1	
503 55 18-01	503551801	FITTING		1	
503 08 20-01	503082001	FITTING	EPA	1	
501 66 61-01	501666101	SCREEN		1	
501 66 67-01	501666701	STOP-THROTTLE		1	
503 99 16-01	503991601	LEVER	EPA	1	
501 66 72-01	501667201	DIAPHRAGM		1	
502 25 47-01	502254701	DIAPHRAGM PUMP	EPA	1	
501 66 69-01	501666901	GASKET		1	
503 19 20-01	503192001	COVER		1	
501 66 84-01	501668401	GASKET KIT	REPAIR KIT	1	
503 56 23-01	503562301	SCREW		1	
503 94 44-01	503944401	SPRING	EPA	1	
501 66 78-01	501667801	SPRING		1	
503 61 48-01	503614801	SCREW	EPA	1	
501 66 76-01	501667601	IDLE ADJUSTMENT SCREW		1	
503 91 54-01	503915401	RETAINER	EPA	1	
503 91 40-01	503914001	LIMITER CAP	EPA	1	
503 91 39-01	503913901	LIMITER CAP	EPA	1	
503 94 51-01	503945101	NEEDLE	L EPA	1	
504 02 72-13	504027213	NEEDLE-IDLE SPEED	L	1	
503 97 11-01	503971101	NEEDLE	H EPA	1	
503 83 95-01	503839501	NEEDLE HIGH SPEED	H	1	
501 66 77-01	501667701	SPRING		1	
501 46 87-01	501468701	SCREW		1	
503 19 52-01	503195201	LEVER		1	
503 19 23-01	503192301	SPACER-SHAFT-CHOKE		1	

REF.	PART NO.	DESCRIPTION	REMARK	QTY.	KIT
506 02 83-01	506028301	WASHER		1	
503 57 42-01	503574201	PLUG		1	
503 08 18-01	503081801	PLUG	EPA	1	
503 58 15-01	503581501	NOZZLE ASSY	EPA	1	
503 56 24-01	503562401	SPRING		1	
501 66 83-01	501668301	LEVER		1	
505 52 01-25	505520125	PIN		1	
505 31 67-17	505316717	SCREW		1	
501 66 70-01	501667001	GASKET		1	
501 66 73-01	501667301	DIAPHRAGM		1	
503 16 17-01	503161701	COVER		1	
503 10 87-01	503108701	SCREW		4	

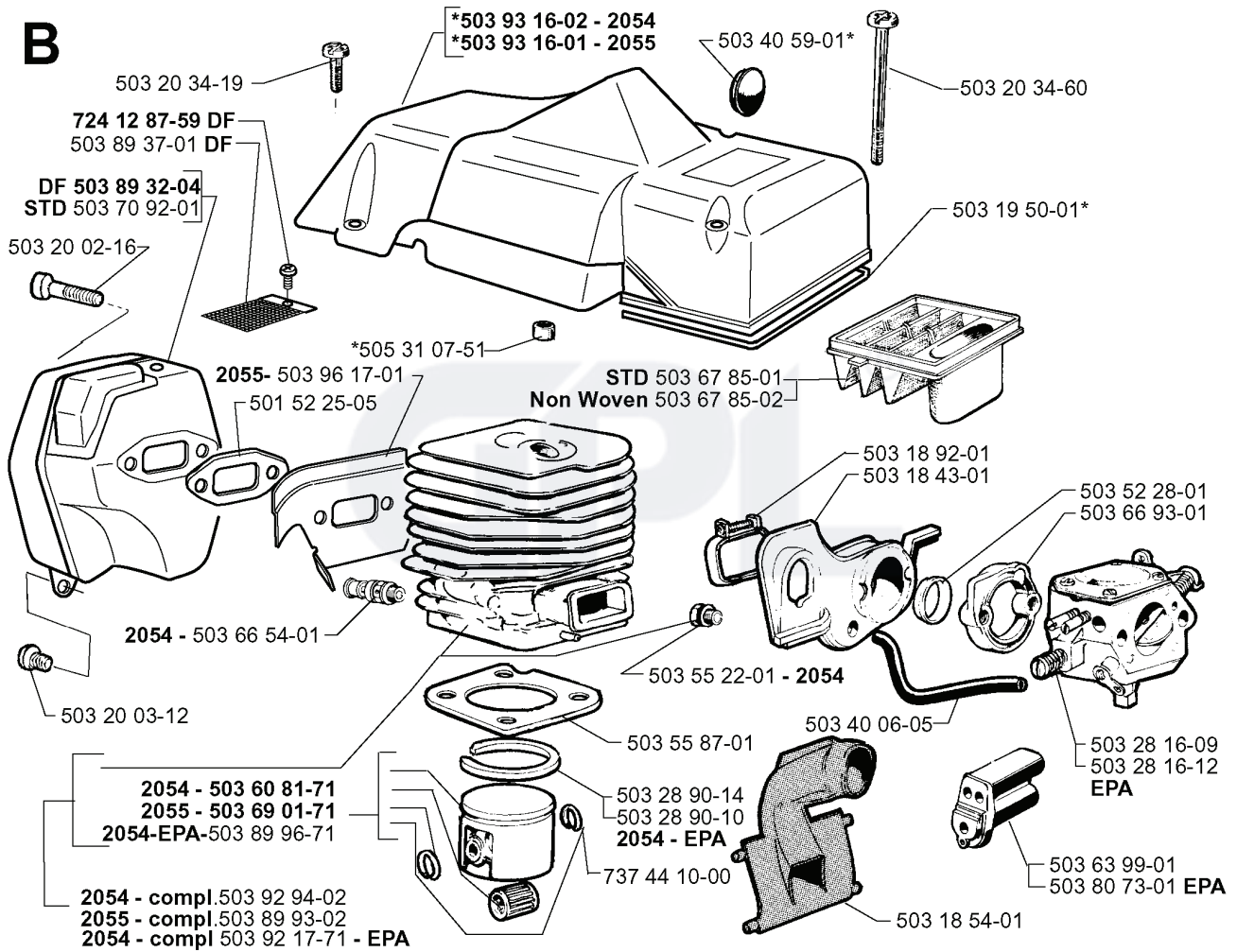


I

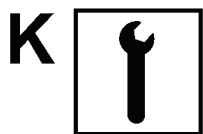


REF.	PART NO.	DESCRIPTION	REMARK	QTY.	KIT
503 19 93-03	503199303	FRONT HANDLE		1	
501 66 92-01	501669201	CLIP		1	
503 18 16-01	503181601	GENERATOR STATOR		1	
503 20 25-16	503202516	SCREW IHSCM		1	
503 52 18-02	503521802	FLYWHEEL ASSY		1	
503 71 02-03	503710203	STARTER PAWL		1	
503 81 81-01	503818101	SPRING		1	
503 23 00-42	503230042	WASHER		1	
501 81 99-03	501819903	SCREW		1	
503 21 27-16	503212716	SCREW CRPANT		1	
503 90 05-71	503900571	WINTER COVER	WINTER KIT	1	
503 83 42-01	503834201	CATALYTIC CONVERTER	CAT	1	
503 83 46-01	503834601	SUPPORT LEG	CAT	1	
503 21 93-16	503219316	SCREW IHSCM		1	
503 23 70-01	503237001	PEN		1	
503 21 28-10	503212810	SCREW CCRPANT		1	
503 63 92-01	503639201	PLATE		1	
503 63 94-01	503639401	FOIL ELEMENT		1	
503 65 82-01	503658201	WIRING ASSY		1	
503 64 02-01	503640201	SWITCH		1	
503 83 41-01	503834101	GASKET	CAT	1	
503 83 36-01	503833601	MUFFLER	CAT	1	
503 19 91-01	503199101	HANDLE HALF		1	
503 55 30-01	503553001	BUMPER		1	
501 83 44-05	501834405	BAR COVER	18	1	
501 83 44-02	501834402	BAR COVER	13	1	
503 21 27-10	503212710	SCREW CCRPANT		1	
503 19 74-01	503197401	SPIKE		1	

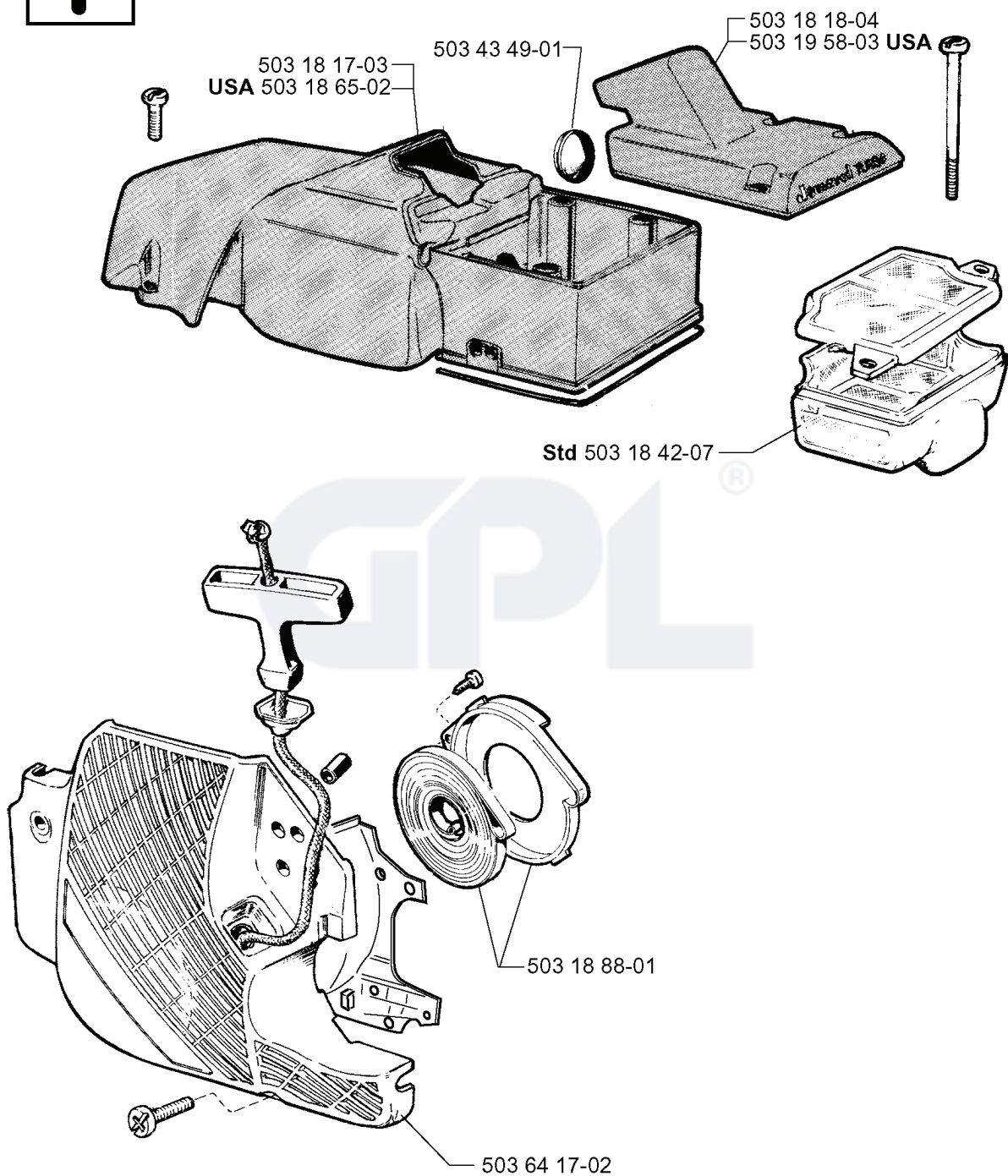
B



REF.	PART NO.	DESCRIPTION	REMARK	QTY.	KIT
503 20 34-19	503203419	SCREW CCRPANMO		1	
724 12 87-59	724128759	SCREW CRPANM	DF	1	
503 89 37-01	503893701	SPARK ARRESTER SCREEN	DF	1	
503 89 32-04	503893204	MUFFLER ASSY	DF	1	
503 70 92-01	503709201	MUFFLER ASSY	STD	1	
503 20 02-16	503200216	SCREW IHSCFM		1	
503 66 54-01	503665401	DECOMPRESSION VALVE	2054	1	
503 20 03-12	503200312	SCREW IHSCFM		1	
503 60 81-71	503608171	PISTON ASSY	2054	1	
503 69 01-71	503690171	PISTON ASSY	2055	1	
503 89 96-71	503899671	PISTON ASSY	2054-EPA	1	
503 92 94-02	503929402	CYLINDER ASSY	2054	1	
503 89 93-02	503899302	CYLINDER ASSY	2055	1	
503 92 17-71	503921771	CYLINDER ASSY	2054 - EPA	1	
501 52 25-05	501522505	GASKET		1	
503 96 17-01	503961701	HEAT DEFLECTOR	2055	1	
503 93 16-02	503931602	CYLINDER COVER	2054	1	
503 93 16-01	503931601	CYLINDER COVER	2055	1	
505 31 07-51	505310751	IMPULSE HOSE		1	
737 44 10-00	737441000	SNAP RING		1	
503 28 90-10	503289010	PISTON RING	2054 - EPA	1	
503 28 90-14	503289014	PISTON RING		1	
503 55 87-01	503558701	GASKET		1	
503 55 22-01	503552201	PLUG	2054	1	
503 67 85-02	503678502	AIR FILTER	NON WOVEN	1	
503 67 85-01	503678501	AIR FILTER	STD	1	
503 40 59-01	503405901	WINTER PLUG		1	
503 18 92-01	503189201	HOSE CLAMP		1	
503 18 43-01	503184301	INLET PIPE		1	
503 40 06-05	503400605	IMPULSE HOSE		1	
503 18 54-01	503185401	AIR NOZZLE		1	
503 80 73-01	503807301	GUIDE BUSHING	EPA	1	
503 63 99-01	503639901	GUIDE BUSHING		1	
503 28 16-12	503281612	CARBURETTOR	EPA	1	
503 28 16-09	503281609	CARBURETTOR		1	
503 66 93-01	503669301	FLANGE		1	
503 52 28-01	503522801	SUPPORT SLEEVE		1	
503 19 50-01	503195001	O-RING		1	
503 20 34-60	503203460	SCREW CCRPANMO		1	



Up to (1993) 2054- 3360151



compl 503 64 16-02

REF.	PART NO.	DESCRIPTION	REMARK	QTY.	KIT
503 18 17-03	503181703	CYLINDER COVER		1	
503 18 65-02	503186502	CYLINDER COVER	USA	1	
503 64 16-02	503641602	STARTER ASSY		1	
503 64 17-02	503641702	STARTER HOUSING		1	
503 18 88-01	503188801	SPRING CASSETTE ASSY		1	
503 18 42-07	503184207	AIR FILTER	STD	1	
503 43 49-01	503434901	COVER		1	
503 19 58-03	503195803	FILTER COVER	USA	1	
503 18 18-04	503181804	FILTER COVER		1	

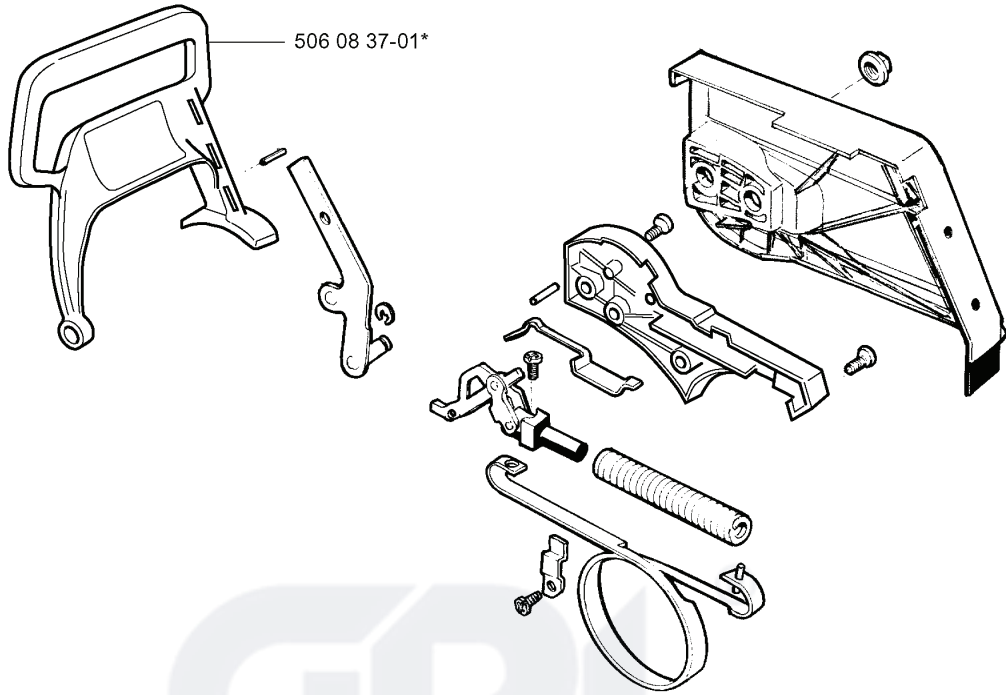


J



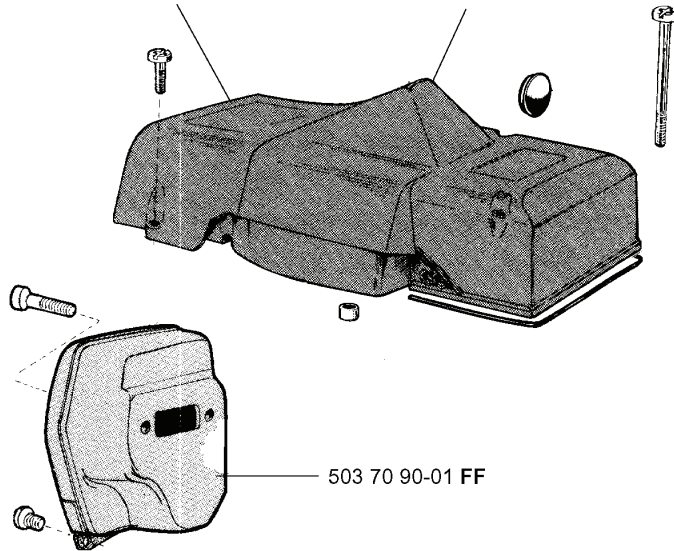
Up to (1998) 2054- 8190001
Up to (1998) 2055- 8210001 EUR
Up to (1999) 2055- 9200001

*compl 503 18 36-01



503 67 84-02 -2054
503 67 84-01 -2055

503 69 31-02 -2054 USA
503 69 31-01 -2055 USA



503 70 90-01 FF

503 70 91-01 FF

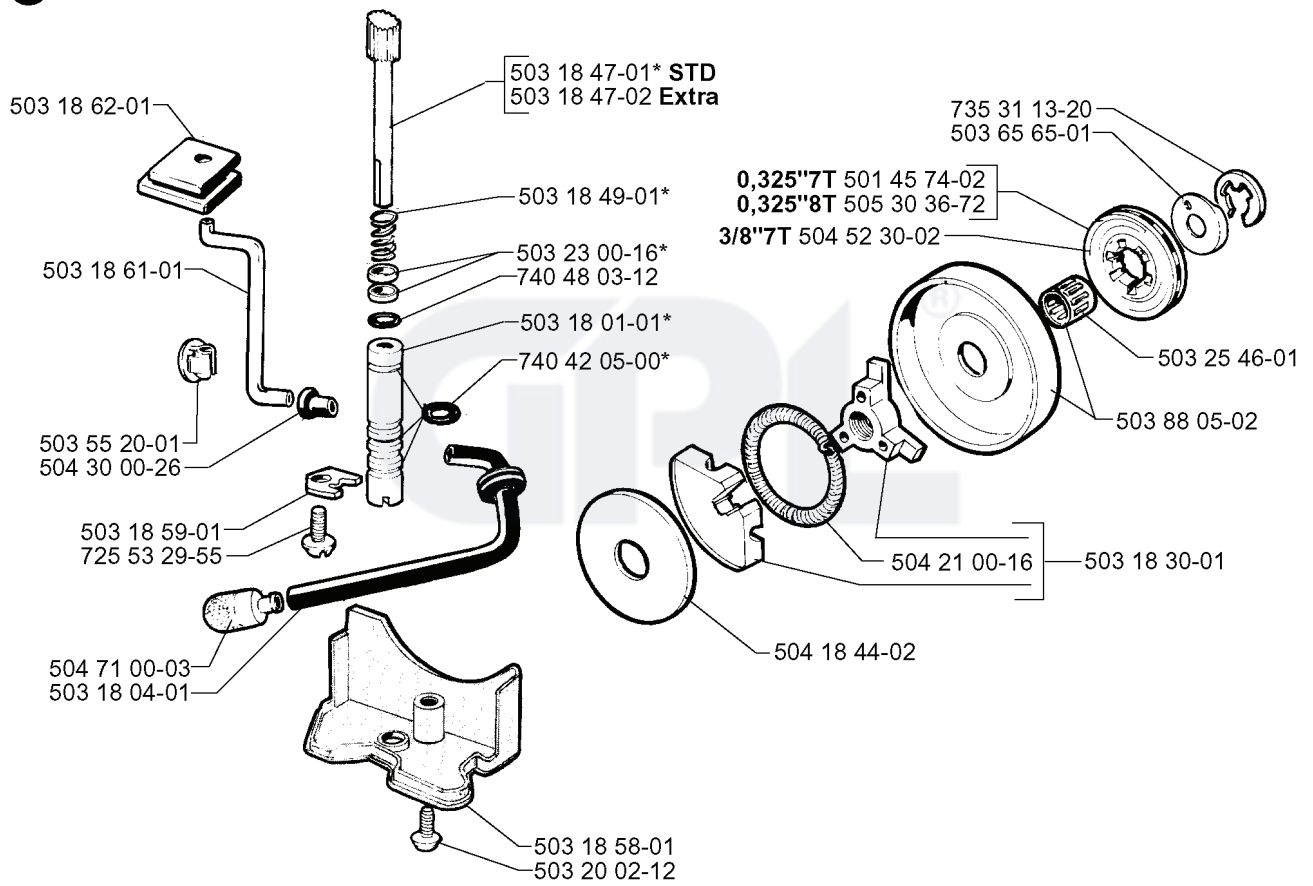
503 18 70-01

REF.	PART NO.	DESCRIPTION	REMARK	QTY.	KIT
506 08 37-01	506083701	HAND GUARD		1	
503 67 84-02	503678402	CYLINDER COVER	2054	1	
503 67 84-01	503678401	CYLINDER COVER	2055	1	
503 18 70-01	503187001	SPARK ARRESTER		1	
503 70 91-01	503709101	EXHAUST DUCT	FF	1	
503 70 90-01	503709001	MUFFLER ASSY	FF	1	
503 69 31-01	503693101	CYLINDER COVER	2055 USA	1	
503 69 31-02	503693102	CYLINDER COVER	2054 USA	1	
503 18 36-01	503183601	BRAKE ASSY		1	



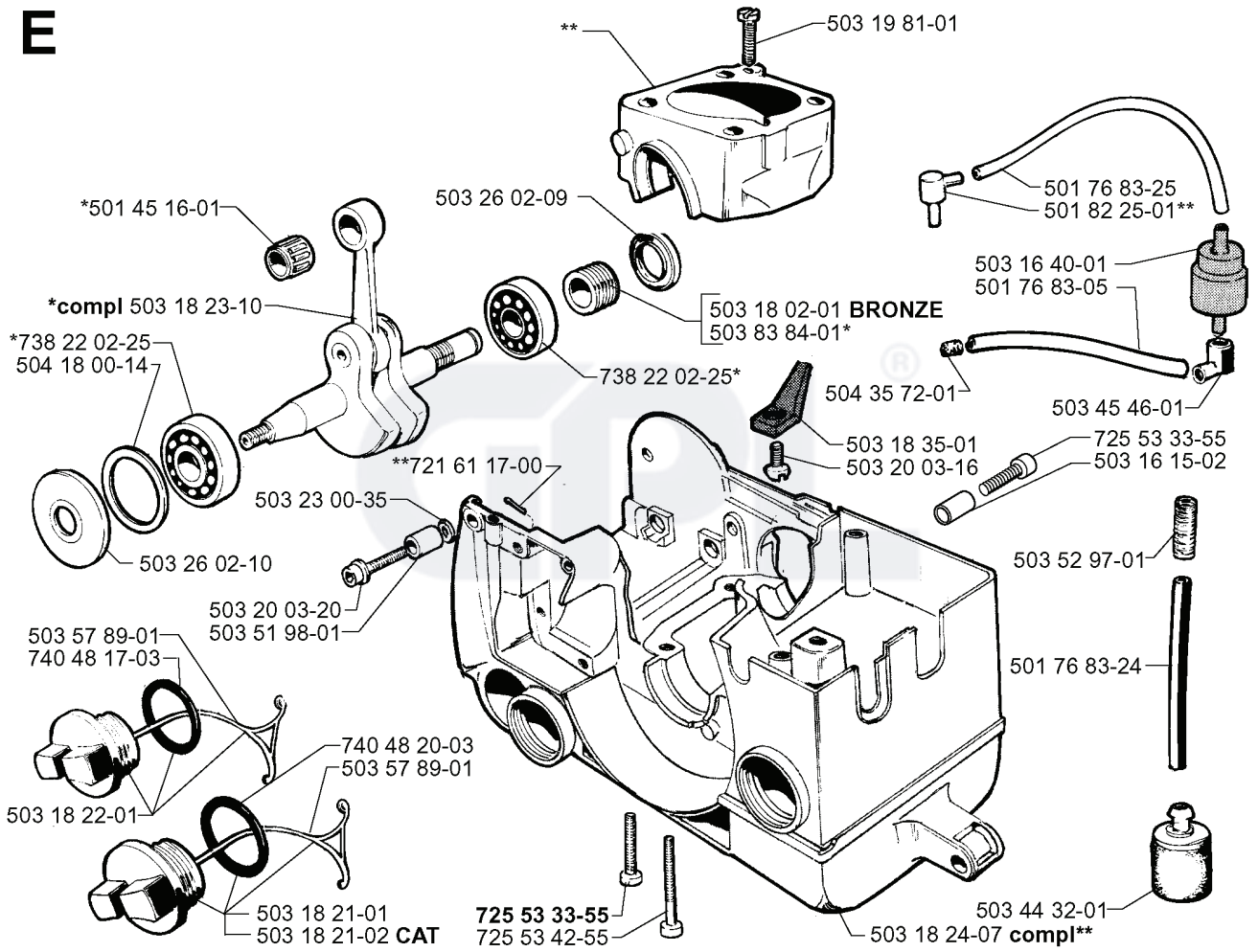
C

*compl 503 19 05-01



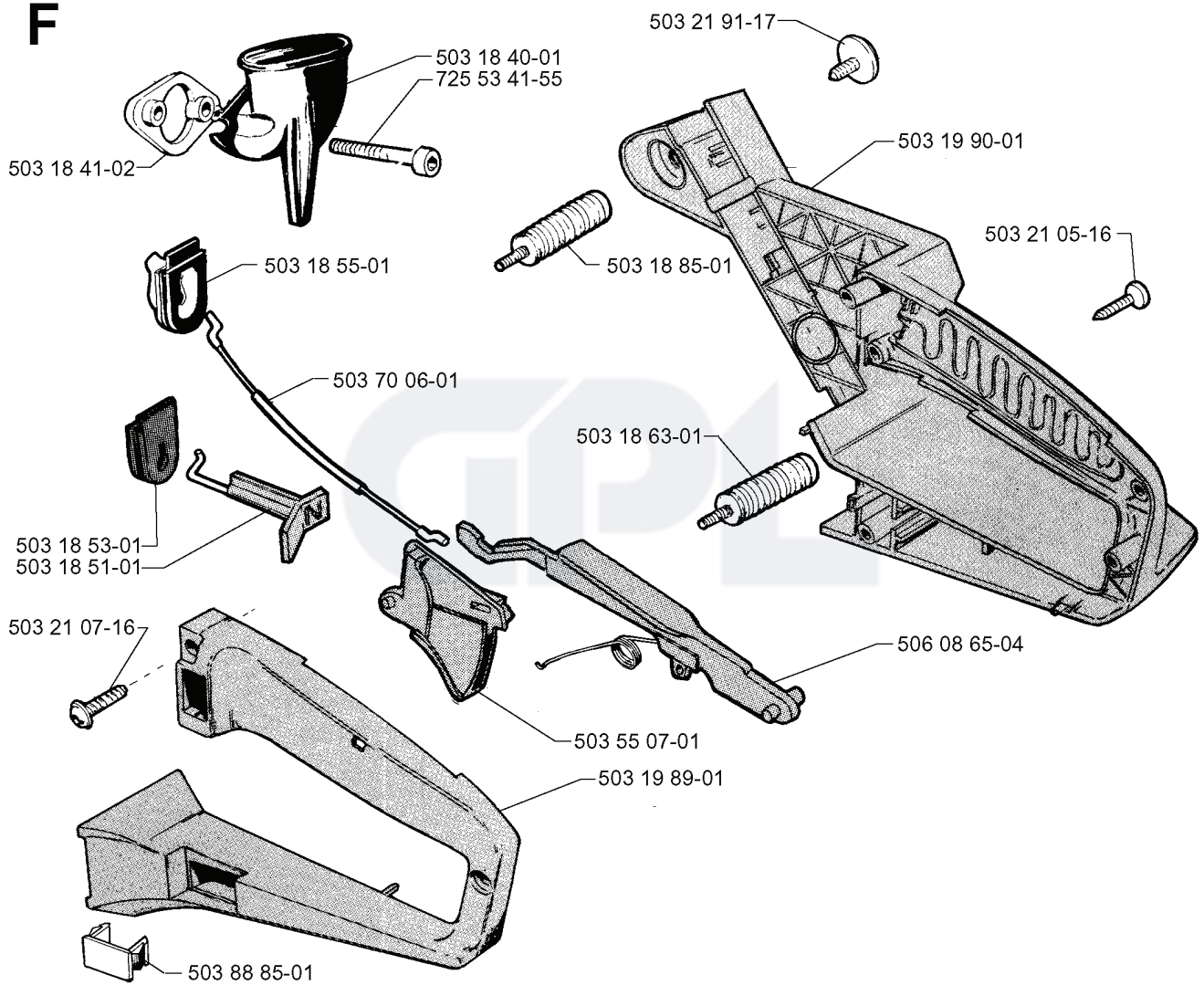
REF.	PART NO.	DESCRIPTION	REMARK	QTY.	KIT
503 18 62-01	503186201	SEALING		1	
503 18 61-01	503186101	OIL PIPE		1	
503 55 20-01	503552001	CLIP		1	
504 30 00-26	504300026	SEALING		1	
503 18 59-01	503185901	WASHER		1	
725 53 29-55	725532955	SCREW IHSCM		1	
504 71 00-03	504710003	OIL PLUMMET		1	
503 18 04-01	503180401	OIL HOSE		1	
503 20 02-12	503200212	SCREW IHSCFM		1	
503 18 58-01	503185801	COVER		1	
504 18 44-02	504184402	WASHER		1	
740 42 05-00	740420500	O-RING		1	
503 18 01-01	503180101	PUMP CYLINDER		1	
740 48 03-12	740480312	O-RING		1	
503 23 00-16	503230016	WASHER		1	
503 18 49-01	503184901	SPRING		1	
503 18 47-02	503184702	PUMP PISTON	EXTRA	1	
503 18 47-01	503184701	PUMP PISTON	STD	1	
503 19 05-01	503190501	PUMP ASSY		1	
501 45 74-02	501457402	RIM	0,325T	1	
505 30 36-72	505303672	RIM	0,325T	1	
504 52 30-02	504523002	RIM	3/8T	1	
504 21 00-16	504210016	CLUTCH SPRING		1	
503 18 30-01	503183001	CLUTCH ASSY		1	
503 88 05-02	503880502	CLUTCH DRUM		1	
503 25 46-01	503254601	NEEDLE BEARING		1	
503 65 65-01	503656501	WASHER		1	
735 31 13-20	735311320	E-CLIP		1	

E



REF.	PART NO.	DESCRIPTION	REMARK	QTY.	KIT
501 45 16-01	501451601	NEEDLE BEARING		1	
503 18 23-10	503182310	CRANKSHAFT		1	
738 22 02-25	738220225	BALL BEARING		1	
504 18 00-14	504180014	CIRCLIP		1	
503 57 89-01	503578901	HOLDER		1	
740 48 17-03	740481703	O-RING		1	
503 18 22-01	503182201	TANK CAP ASSY		1	
503 18 21-02	503182102	TANK CAP ASSY	CAT	1	
503 18 21-01	503182101	TANK CAP ASSY		1	
740 48 20-03	740482003	O-RING		1	
503 51 98-01	503519801	SPACING SLEEVE		1	
503 20 03-20	503200320	SCREW IHSCFM		1	
503 26 02-10	503260210	SEALING RING		1	
503 23 00-35	503230035	WASHER		1	
503 26 02-09	503260209	SEALING RING		1	
721 61 17-00	721611700	SPLIT PIN		1	
725 53 33-55	725533355	SCREW IHSCM		1	
725 53 42-55	725534255	SCREW IHSCM		1	
503 19 81-01	503198101	PIN SCREW		1	
503 18 02-01	503180201	PUMP PINION	BRONZE	1	
503 83 84-01	503838401	PUMP PINION		1	
504 35 72-01	504357201	PLUG		1	
503 18 35-01	503183501	CHAIN CATCHER		1	
503 20 03-16	503200316	SCREW IHSCFM		1	
503 18 24-07	503182407	CRANKCASE ASSY		1	
503 44 32-01	503443201	FUEL FILTER		1	
501 76 83-24	501768324	FUEL HOSE		1	
503 52 97-01	503529701	SPRING		1	
503 16 15-02	503161502	SPACER		1	
503 45 46-01	503454601	CONNECTION BEND		1	
501 76 83-05	501768305	FUEL HOSE		1	
503 16 40-01	503164001	TANK VENT		1	
501 82 25-01	501822501	FITTING		1	
501 76 83-25	501768325	FUEL HOSE		1	

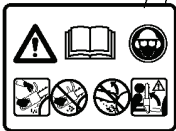
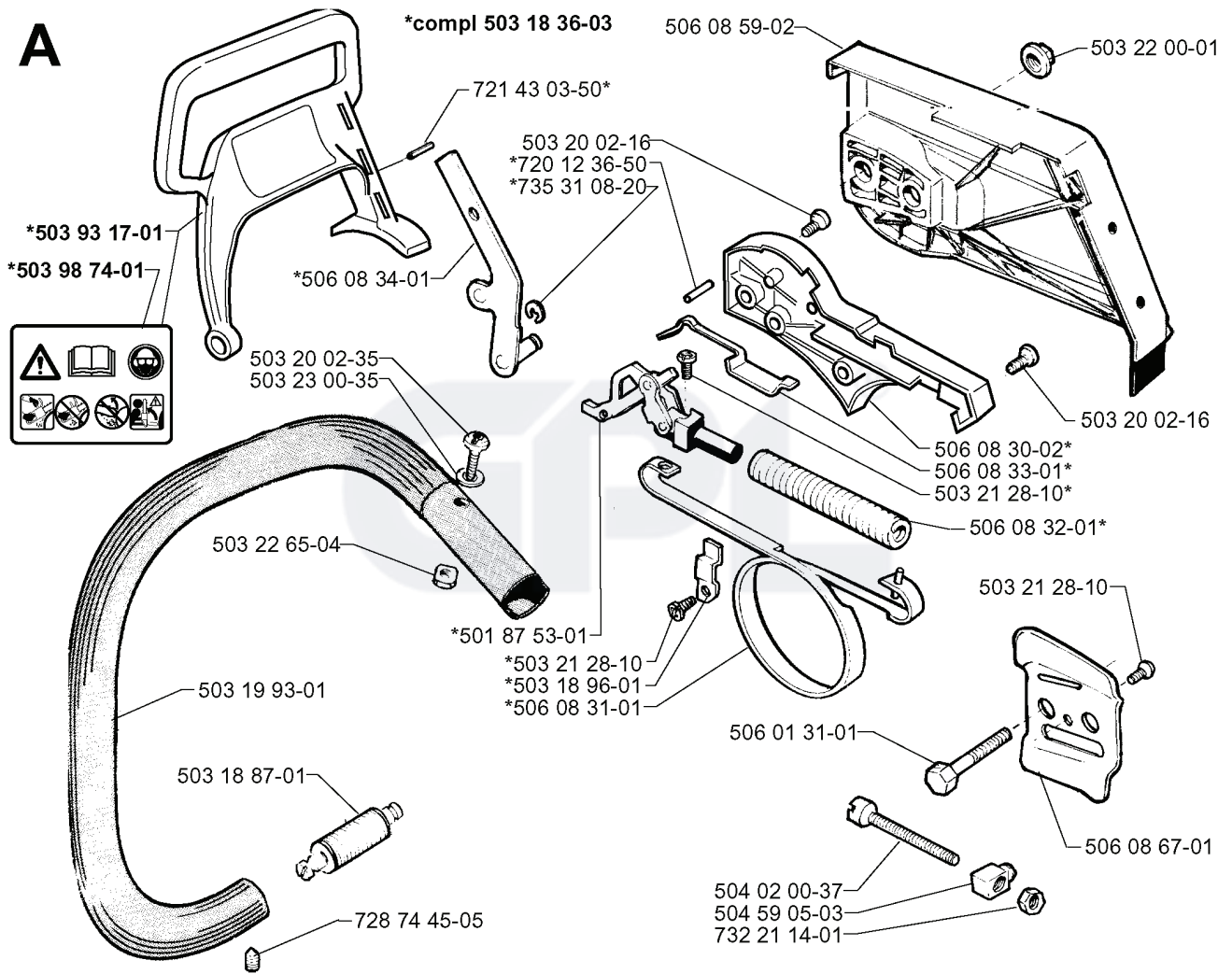
F



REF.	PART NO.	DESCRIPTION	REMARK	QTY.	KIT
503 18 41-02	503184102	FLANGE		1	
503 18 53-01	503185301	GROMMET		1	
503 18 51-01	503185101	CHOKE CONTROL		1	
503 21 07-16	503210716	SCREW IHSC T		1	
503 88 85-01	503888501	COVER		1	
503 70 06-01	503700601	THROTTLE CABLE ASSY		1	
503 18 55-01	503185501	GROMMET		1	
725 53 41-55	725534155	SCREW IHSCM		1	
503 18 40-01	503184001	FILTER HOLDER		1	
503 18 85-01	503188501	ANTIVIBRATION ELEMENT		1	
503 18 63-01	503186301	ANTIVIBRATION ELEMENT		1	
503 55 07-01	503550701	THROTTLE TRIGGER		1	
503 19 89-01	503198901	HANDLE HALF		1	
506 08 65-04	506086504	THROTTLE LOCKOUT		1	
503 21 05-16	503210516	SCREW IHSC T		1	
503 19 90-01	503199001	HANDLE HALF		1	
503 21 91-17	503219117	SCREW IHPANT		1	

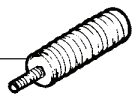


A



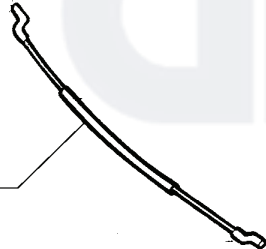
REF.	PART NO.	DESCRIPTION	REMARK	QTY.	KIT
503 93 17-01	503931701	HAND GUARD		1	
503 98 74-01	503987401	LABEL		1	
728 74 45-05	728744505	SCREW IHSETM		1	
503 18 87-01	503188701	ANTIVIBRATION ELEMENT		1	
503 19 93-01	503199301	FRONT HANDLE		1	
503 22 65-04	503226504	SQUARE NUT		1	
503 23 00-35	503230035	WASHER		1	
503 20 02-35	503200235	SCREW IHSCFM		1	
506 08 34-01	506083401	BRAKE LEVER ASSY		1	
503 18 36-03	503183603	BRAKE ASSY		1	
721 43 03-50	721430350	SPRING PIN		1	
720 12 36-50	720123650	PARALLEL PIN		1	
735 31 08-20	735310820	E-CLIP		1	
501 87 53-01	501875301	KNEE JOINT ASSY		1	
503 21 28-10	503212810	SCREW CCRPANT		1	
503 18 96-01	503189601	RETAINER		1	
506 08 31-01	506083101	BRAKE BAND ASSY		1	
732 21 14-01	732211401	LOCK NUT		1	
504 59 05-03	504590503	PEN		1	
504 02 00-37	504020037	CHAIN TENSION SCREW		1	
506 01 31-01	506013101	BAR BOLT		1	
506 08 59-02	506085902	CLUTCH COVER ASSY		1	
506 08 67-01	506086701	CHAIN GUIDE PLATE		1	
506 08 32-01	506083201	BRAKE SPRING		1	
506 08 33-01	506083301	SPRING		1	
506 08 30-02	506083002	BRAKE CASSETTE		1	
503 20 02-16	503200216	SCREW IHSCFM		1	
503 22 00-01	503220001	HEXAGON NUT		1	

503 18 85-03



From (1992) 2054- 2470059 - 8110051
Up to (1998) 2055- 8110001

506 08 84-02



Up to (1992) 2054- 2510406

REF.	PART NO.	DESCRIPTION	REMARK	QTY.	KIT
503 18 85-03	503188503	ANTIVIBRATION ELEMENT		1	
506 08 84-02	506088402	THROTTLE CABLE ASSY		1	

GPL®