

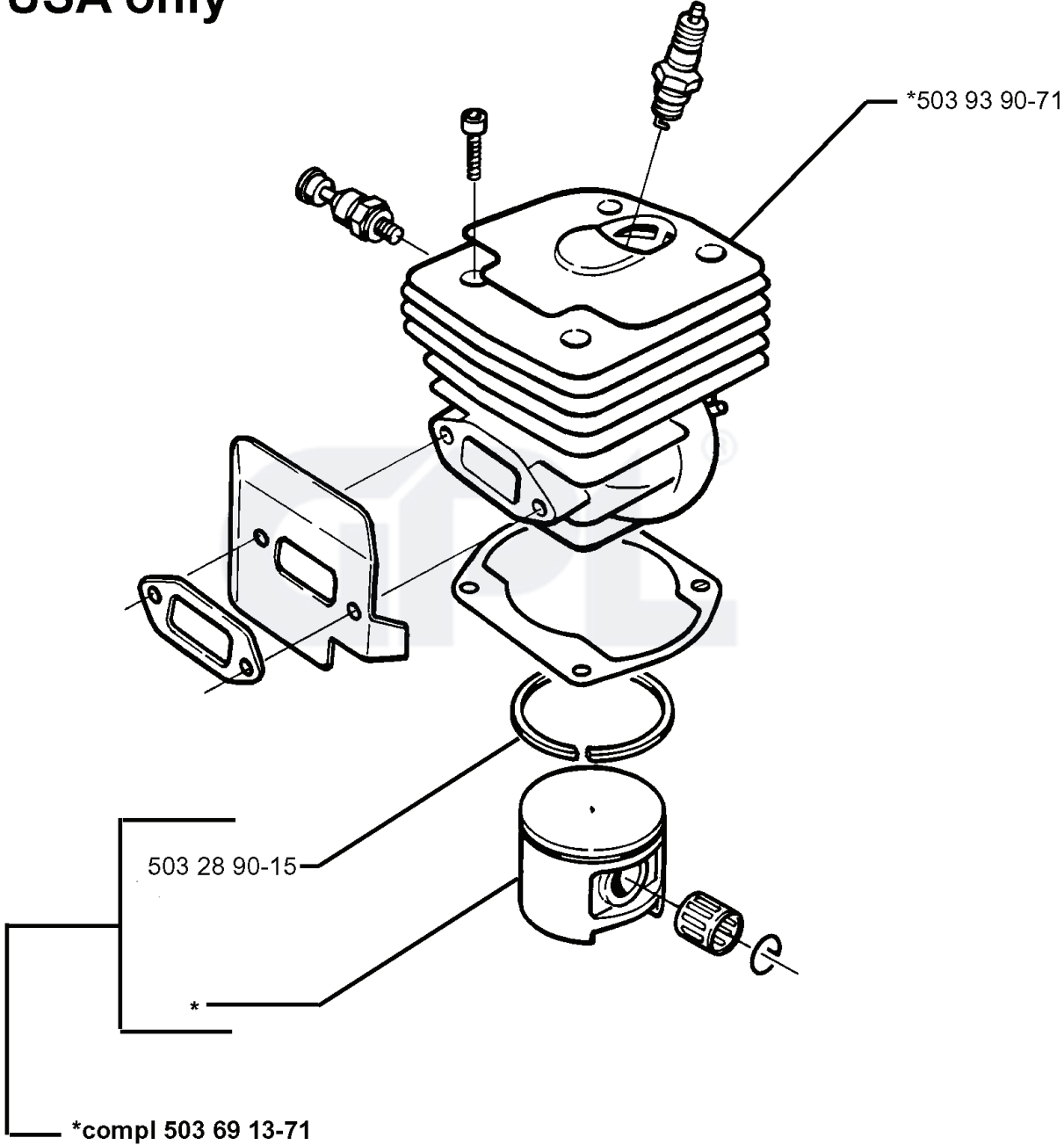
2065, 1998-04

GPL<sup>®</sup>

---

**SPARE PARTS LIST**

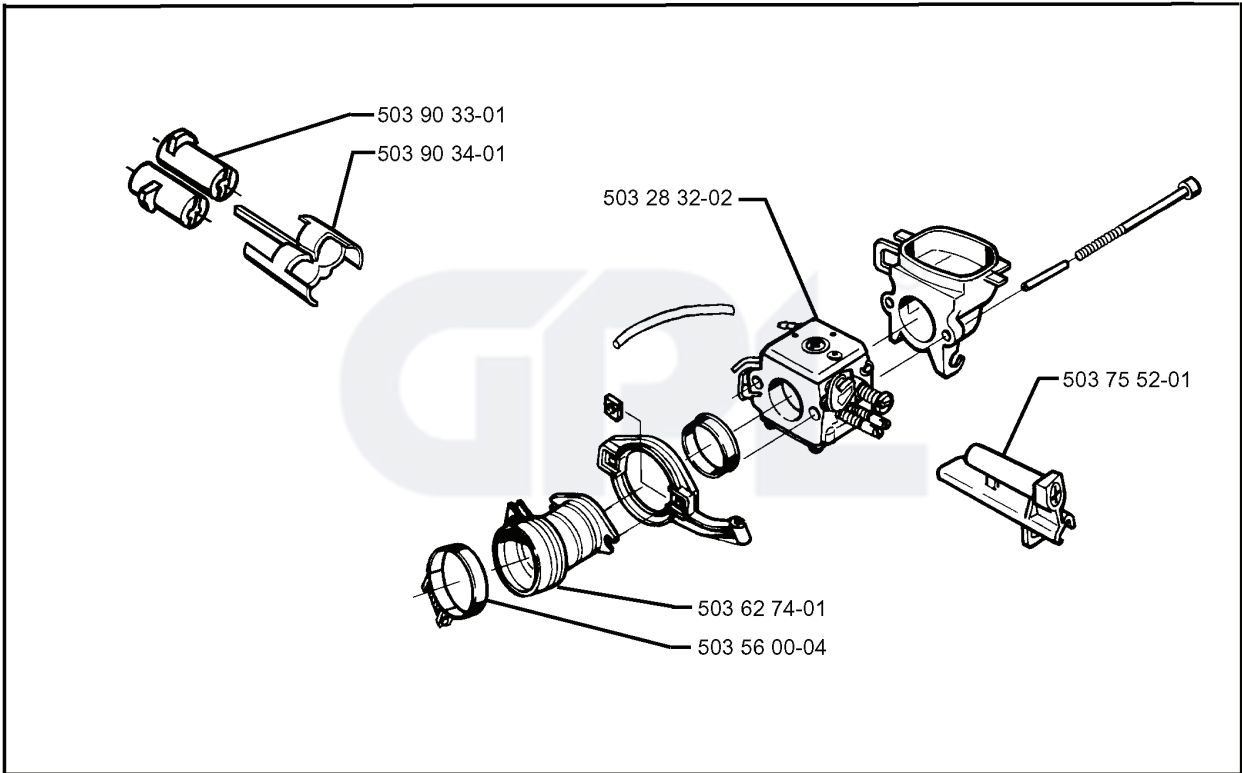
**EPA, USA only**



---

REF.	PART NO.	DESCRIPTION	REMARK	QTY.	KIT
503 28 90-15	503289015	PISTON RING		1	
503 69 13-71	503691371	PISTON ASSY		1	
503 93 90-71	503939071	CYLINDER ASSY		1	

GPL®



---

REF.	PART NO.	DESCRIPTION	REMARK	QTY.	KIT
503 90 33-01	503903301	LIMITER CAP		1	
503 90 34-01	503903401	RETAINER		1	
503 56 00-04	503560004	HOSE CLAMP		1	
503 62 74-01	503627401	INLET PIPE		1	
503 28 32-02	503283202	CARBURETTOR		1	
503 75 52-01	503755201	GUIDE BUSHING		1	

