

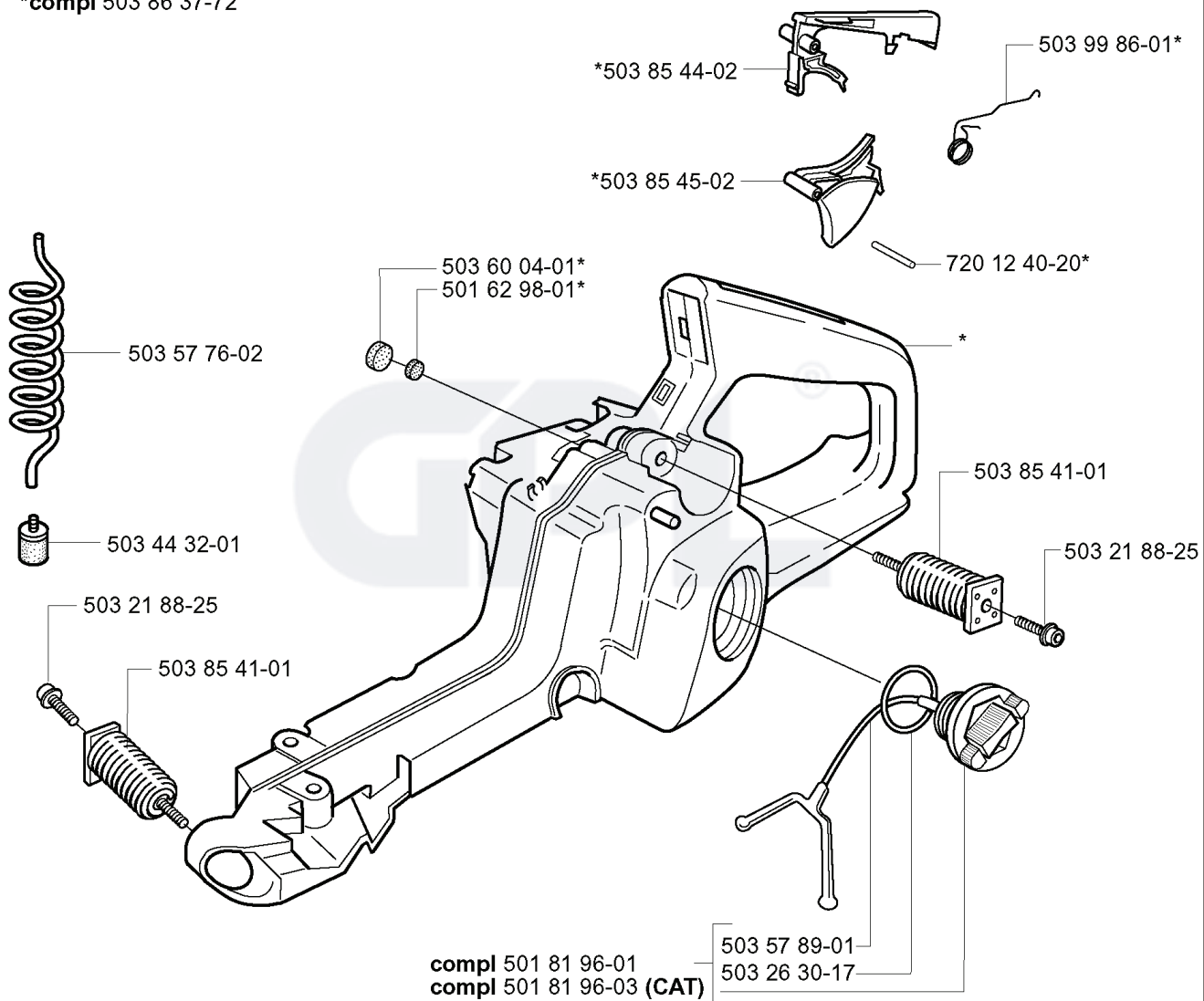
2141, 2000-08

GPL[®]

SPARE PARTS LIST

J

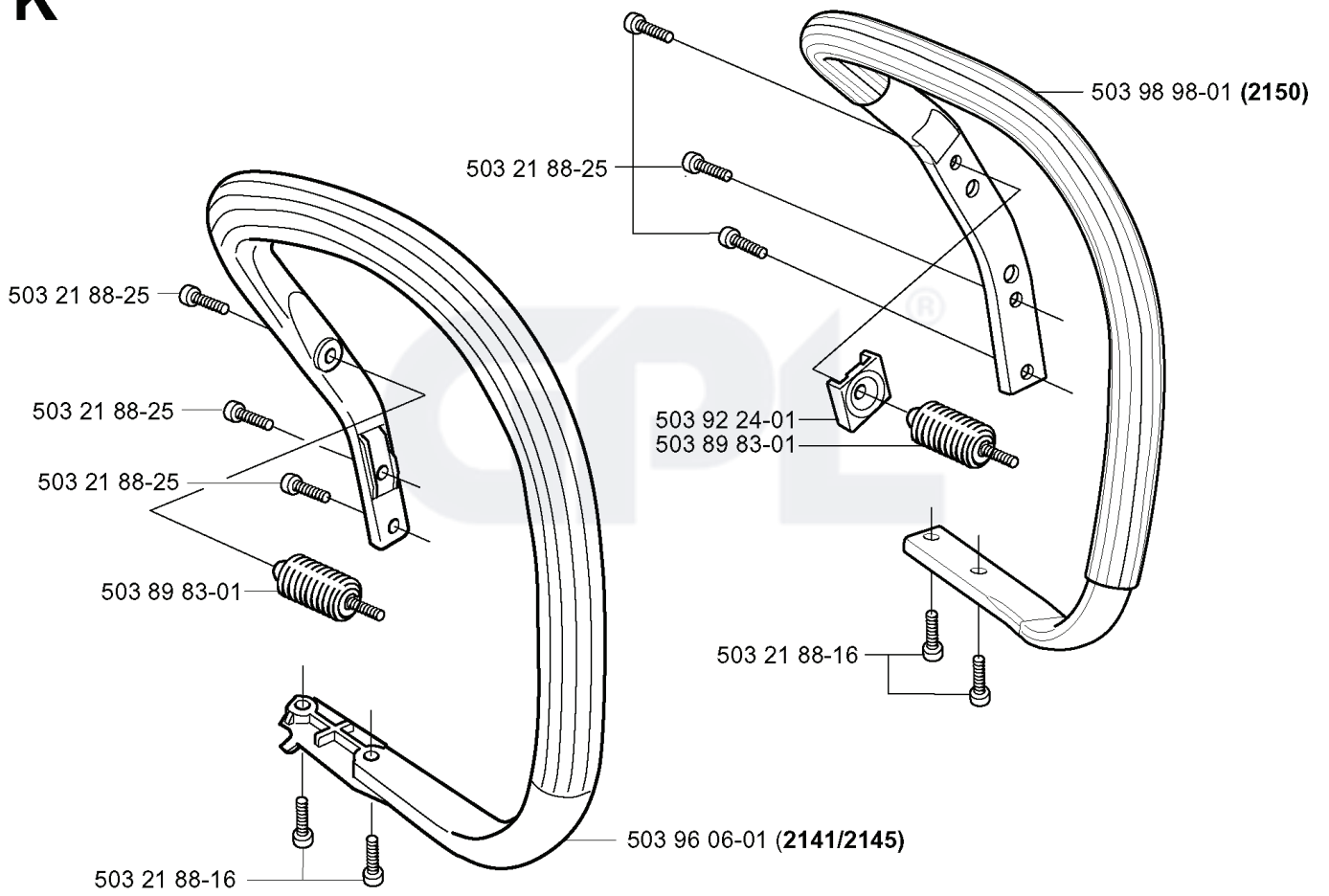
*compl 503 86 37-72



REF.	PART NO.	DESCRIPTION	REMARK	QTY.	KIT
503 86 37-72	503863772	FUEL TANK		1	
503 57 76-02	503577602	FUEL HOSE		1	
503 44 32-01	503443201	FUEL FILTER		1	
503 21 88-25	503218825	SCREW IHSCFT		1	
501 81 96-01	501819601	TANK CAP ASSY		1	
501 81 96-03	501819603	TANK CAP ASSY		1	
503 26 30-17	503263017	O-RING		1	
503 57 89-01	503578901	HOLDER		1	
503 85 41-01	503854101	ANTIVIBRATION ELEMENT		1	
720 12 40-20	720124020	PARALLEL PIN		1	
503 99 86-01	503998601	RECOIL SPRING		1	
503 85 45-02	503854502	THROTTLE TRIGGER		1	
503 85 44-02	503854402	THROTTLE LOCKOUT		1	
501 62 98-01	501629801	VALVE PLUG		1	
503 60 04-01	503600401	FILTER PLUG		1	



K



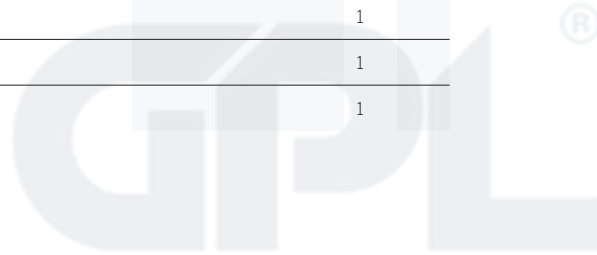
REF.	PART NO.	DESCRIPTION	REMARK	QTY.	KIT
5032188-25	503218825	SCREW IHSCFT		1	
5039606-01	503960601	FRONT HANDLE		1	
5032188-16	503218816	SCREW IHSCFT		1	
5038983-01	503898301	ANTIVIBRATION ELEMENT		1	
5039224-01	503922401	SPACER		1	
5039898-01	503989801	HANDLE		1	



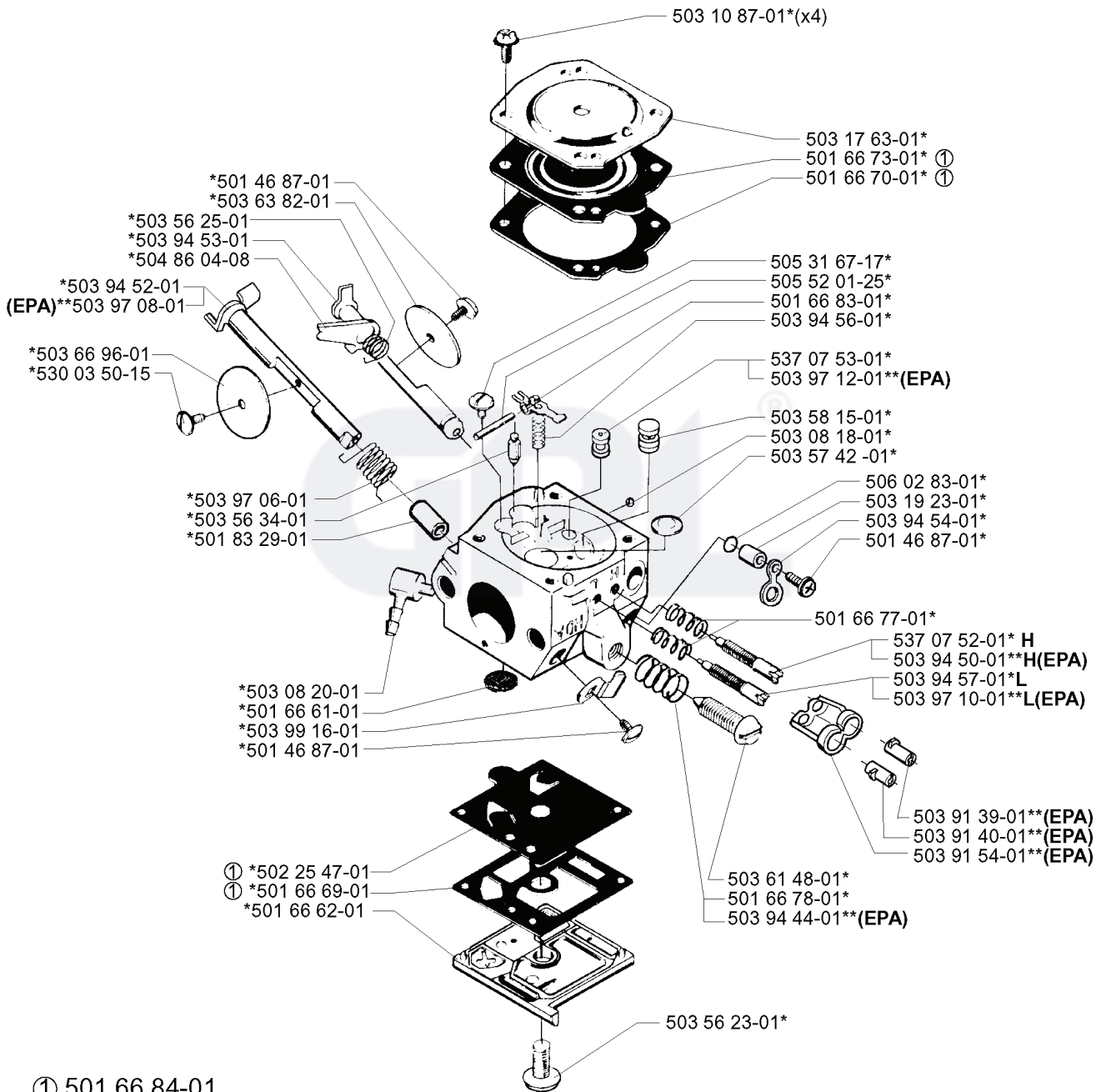


GPL[®]

REF.	PART NO.	DESCRIPTION	REMARK	QTY.	KIT
503 87 00-73	503870073	CYLINDER ASSY		1	
503 87 02-74	503870274	CYLINDER ASSY		1	
503 66 54-01	503665401	DECOMPRESSION VALVE		1	
503 97 13-01	503971301	HEAT DEFLECTOR		1	
503 86 25-01	503862501	GASKET		1	
503 28 90-03	503289003	PISTON RING		1	
503 28 90-05	503289005	PISTON RING		1	
503 87 01-71	503870171	PISTON ASSY		1	
503 90 73-71	503907371	PISTON ASSY		1	
503 20 05-32	503200532	SCREW IHSCM		4	
503 92 60-02	503926002	COVER PLATE		2	
503 86 99-71	503869971	CYLINDER ASSY		1	
503 21 74-25	503217425	SCREW IHST		4	
503 55 22-01	503552201	PLUG		1	
503 28 90-10	503289010	PISTON RING		1	
737 44 10-00	737441000	SNAP RING		2	
503 89 96-71	503899671	PISTON ASSY		1	
501 45 16-01	501451601	NEEDLE BEARING		1	
503 89 44-01	503894401	GASKET		1	
503 23 51-08	503235108	SPARK PLUG		1	



N *compl 503 28 18-03 Walbro HDA 154 B
 **compl 503 28 16-14 Walbro HDA 159 A (EPA)



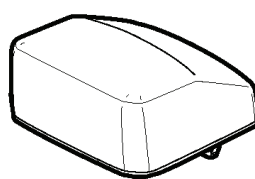
① 501 66 84-01
Set of gaskets
Dichtungssatz
Jeu de joints
Juego de juntas
Packningssats

REF.	PART NO.	DESCRIPTION	REMARK	QTY.	KIT
503 28 18-03	503281803	CARBURETTOR		1	
503 28 16-14	503281614	CARBURETTOR		1	
503 63 82-01	503638201	VALVE CHOKE		1	
503 56 25-01	503562501	SPRING		1	
503 94 53-01	503945301	SHAFT ASSY		1	
504 86 04-08	504860408	LEVER		1	
503 94 52-01	503945201	SHAFT ASSY		1	
503 97 08-01	503970801	SHAFT ASSY		1	
503 66 96-01	503669601	VALVE THROTTLE		1	
530 03 50-15	530035015	SCREW		1	
503 97 06-01	503970601	SPRING		1	
503 56 34-01	503563401	NEEDLE VALVE		1	
501 83 29-01	501832901	BUSHING		1	
503 08 20-01	503082001	FITTING		1	
501 66 61-01	501666101	SCREEN		1	
503 99 16-01	503991601	LEVER		1	
501 46 87-01	501468701	SCREW		1	
502 25 47-01	502254701	DIAPHRAGM PUMP		1	
501 66 69-01	501666901	GASKET		1	
501 66 62-01	501666201	COVER		1	
503 56 23-01	503562301	SCREW		1	
503 94 44-01	503944401	SPRING		1	
501 66 78-01	501667801	SPRING		1	
503 61 48-01	503614801	SCREW		1	
503 91 54-01	503915401	RETAINER		1	
503 91 40-01	503914001	LIMITER CAP		1	
503 91 39-01	503913901	LIMITER CAP		1	
503 97 10-01	503971001	NEEDLE		1	
503 94 57-01	503945701	NEEDLE		1	
503 94 50-01	503945001	NEEDLE		1	
537 07 52-01	537075201	NEEDLE		1	
501 66 77-01	501667701	SPRING		1	
503 94 54-01	503945401	LEVER		1	
503 19 23-01	503192301	SPACER-SHAFT-CHOKE		1	
506 02 83-01	506028301	WASHER		1	
503 57 42-01	503574201	PLUG		1	
503 08 18-01	503081801	PLUG		1	
503 58 15-01	503581501	NOZZLE ASSY		1	
503 97 12-01	503971201	JET		1	
537 07 53-01	537075301	JET		1	
503 94 56-01	503945601	SPRING		1	

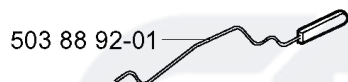
REF.	PART NO.	DESCRIPTION	REMARK	QTY.	KIT
5016683-01	501668301	LEVER		1	
5055201-25	505520125	PIN		1	
5053167-17	505316717	SCREW		1	
5016670-01	501667001	GASKET		1	
5016673-01	501667301	DIAPHRAGM		1	
5031763-01	503176301	COVER		1	
5031087-01	503108701	SCREW		4	



G

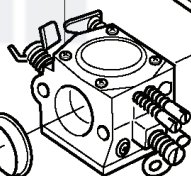


- 537 02 40-01 **NYLON 80 μ**
- 537 02 40-02 **NYLON 44 μ**
- 537 02 40-03 **FELT**

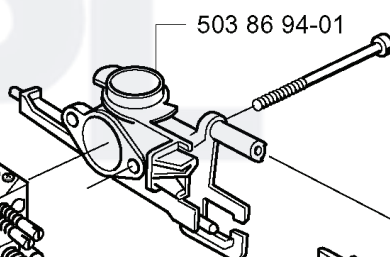


503 88 92-01

- 503 28 18-03 **(HDA 154 B)**
- 503 28 16-14 **((HDA 159 A) EPA)**

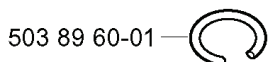


537 02 90-01

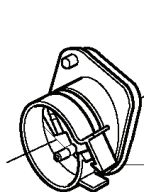


503 86 94-01

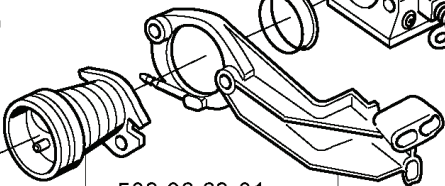
503 21 74-50 (x2)



503 89 60-01

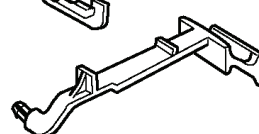


503 86 63-01
503 86 62-01

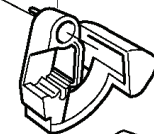


503 86 64-01

503 86 96-01



503 86 97-01



503 86 95-01

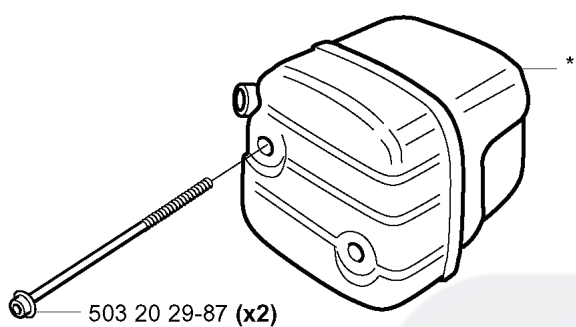


REF.	PART NO.	DESCRIPTION	REMARK	QTY.	KIT
503 88 92-01	503889201	THROTTLE ROD		1	
503 28 18-03	503281803	CARBURETTOR		1	
503 28 16-14	503281614	CARBURETTOR		1	
537 02 90-01	537029001	SUPPORT RING		1	
503 89 60-01	503896001	IMPULSE HOSE		1	
503 86 63-01	503866301	BELLOWS		1	
503 86 62-01	503866201	INSULATION WALL		1	
503 86 64-01	503866401	FLANGE		1	
503 86 96-01	503869601	CHOKE CONTROL		1	
503 86 97-01	503869701	SHORT CIRCUIT SPRING		1	
503 86 95-01	503869501	STOP CONTROL		1	
503 21 74-50	503217450	SCREW IHSCT		2	
503 86 94-01	503869401	INLET BEND		1	
537 02 40-03	537024003	AIR FILTER		1	
537 02 40-02	537024002	AIR FILTER		1	
537 02 40-01	537024001	AIR FILTER		1	

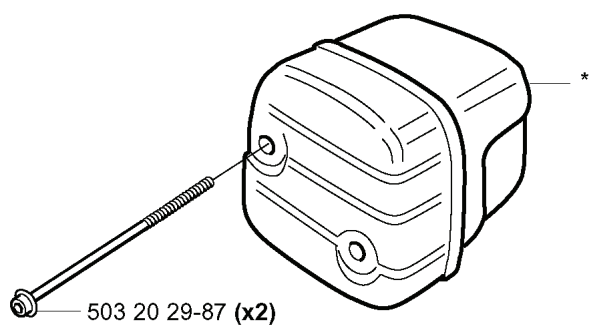
GPL®

F

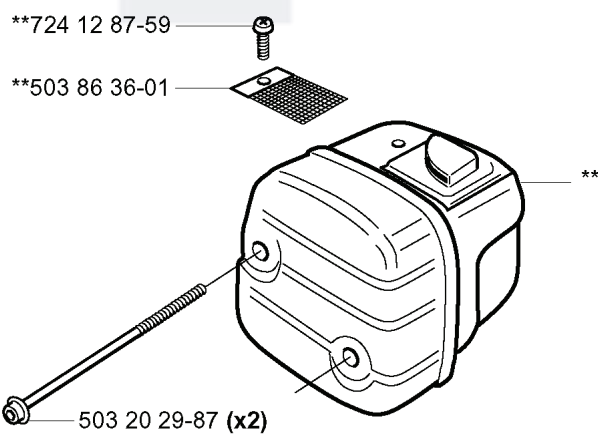
*compl 503 86 27-02 (EU)



*compl 503 87 96-01 (FG)



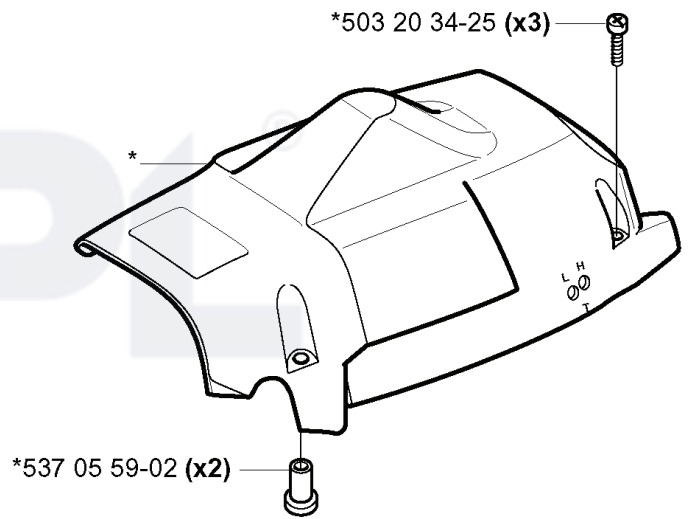
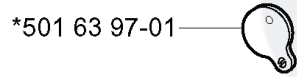
**compl 503 86 28-02 (DF)



REF.	PART NO.	DESCRIPTION	REMARK	QTY.	KIT
503 86 27-02	503862702	MUFFLER ASSY		1	
503 87 96-01	503879601	MUFFLER ASSY		1	
503 20 29-87	503202987	SCREW IHSCFM		2	
503 86 36-01	503863601	SPARK ARRESTER SCREEN		1	
724 12 87-59	724128759	SCREW CRPANM		1	
503 86 28-02	503862802	MUFFLER ASSY		1	



C *compl 537 01 14-01

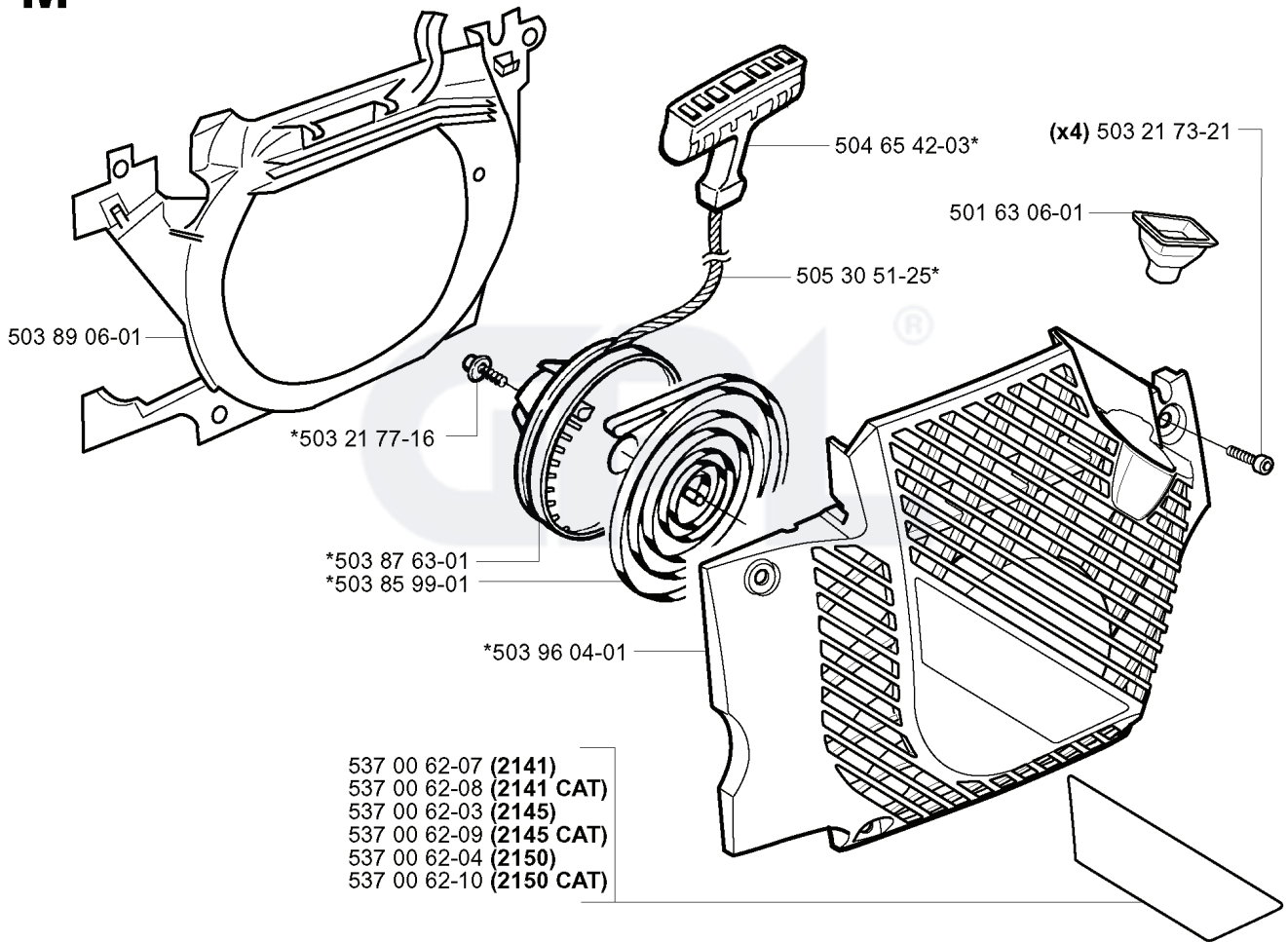


REF.	PART NO.	DESCRIPTION	REMARK	QTY.	KIT
537 01 14-01	537011401	CYLINDER COVER		1	
501 63 97-01	501639701	COVER		1	
537 05 59-02	537055902	SLEEVE		2	
503 20 34-25	503203425	SCREW CCRPANMO		3	



M

*compl 503 99 58-01



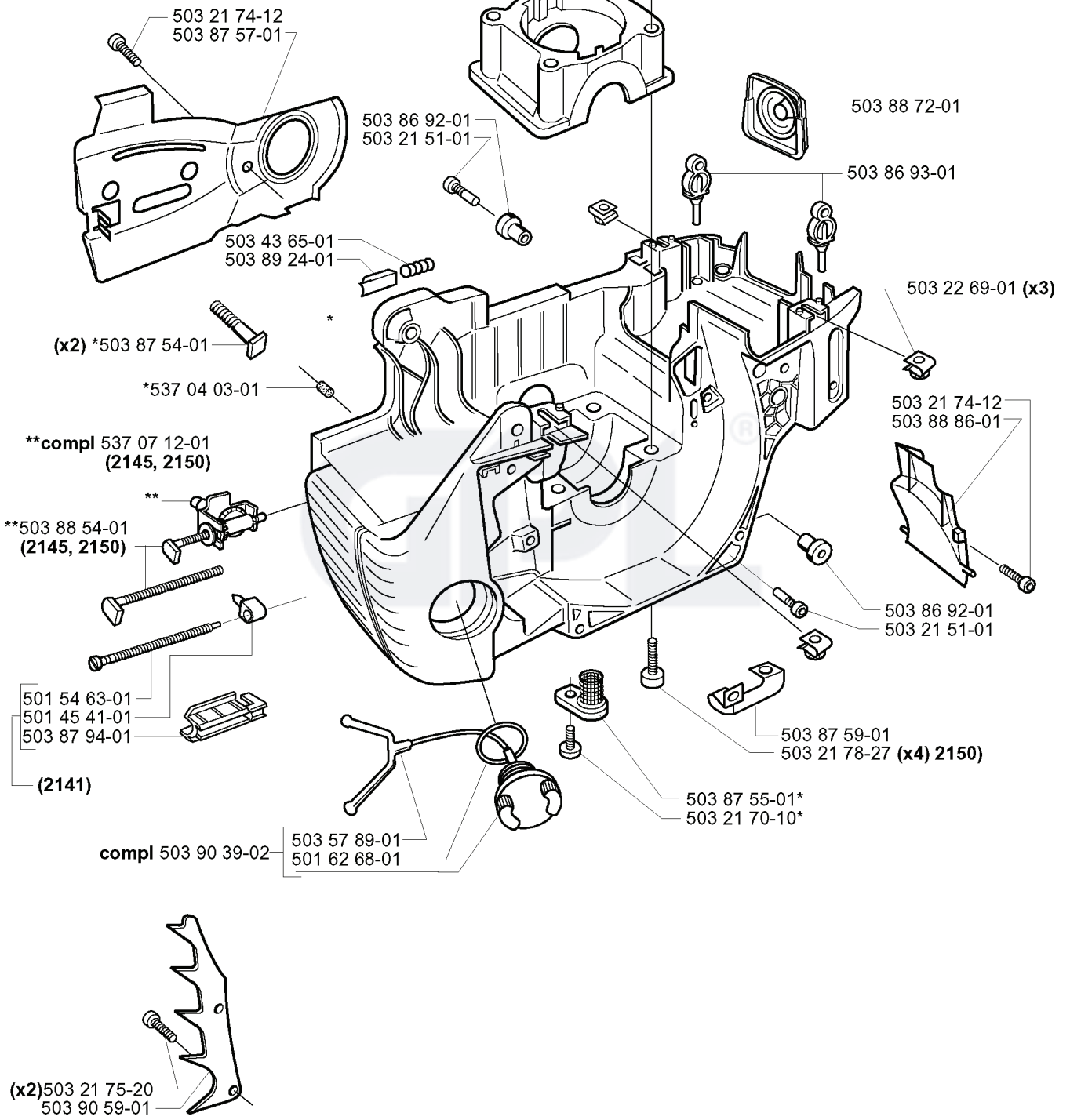
REF.	PART NO.	DESCRIPTION	REMARK	QTY.	KIT
5039958-01	503995801	STARTER		1	
5038906-01	503890601	AIR CONDUCTOR		1	
5032177-16	503217716	SCREW IHSCT		1	
5038763-01	503876301	STARTER PULLEY		1	
5038599-01	503859901	RECOIL SPRING		1	
5039604-01	503960401	STARTER HOUSING		1	
5370062-07	537006207	LABEL		1	
5370062-08	537006208	LABEL		1	
5370062-03	537006203	LABEL		1	
5370062-09	537006209	LABEL		1	
5370062-04	537006204	LABEL		1	
5370062-10	537006210	LABEL		1	
5053051-25	505305125	STARTER ROPE		1	
5016306-01	501630601	SLEEVE		1	
5032173-21	503217321	SCREW		4	
5046542-03	504654203	STARTER HANDLE		1	



H

*compl 503 85 15-03

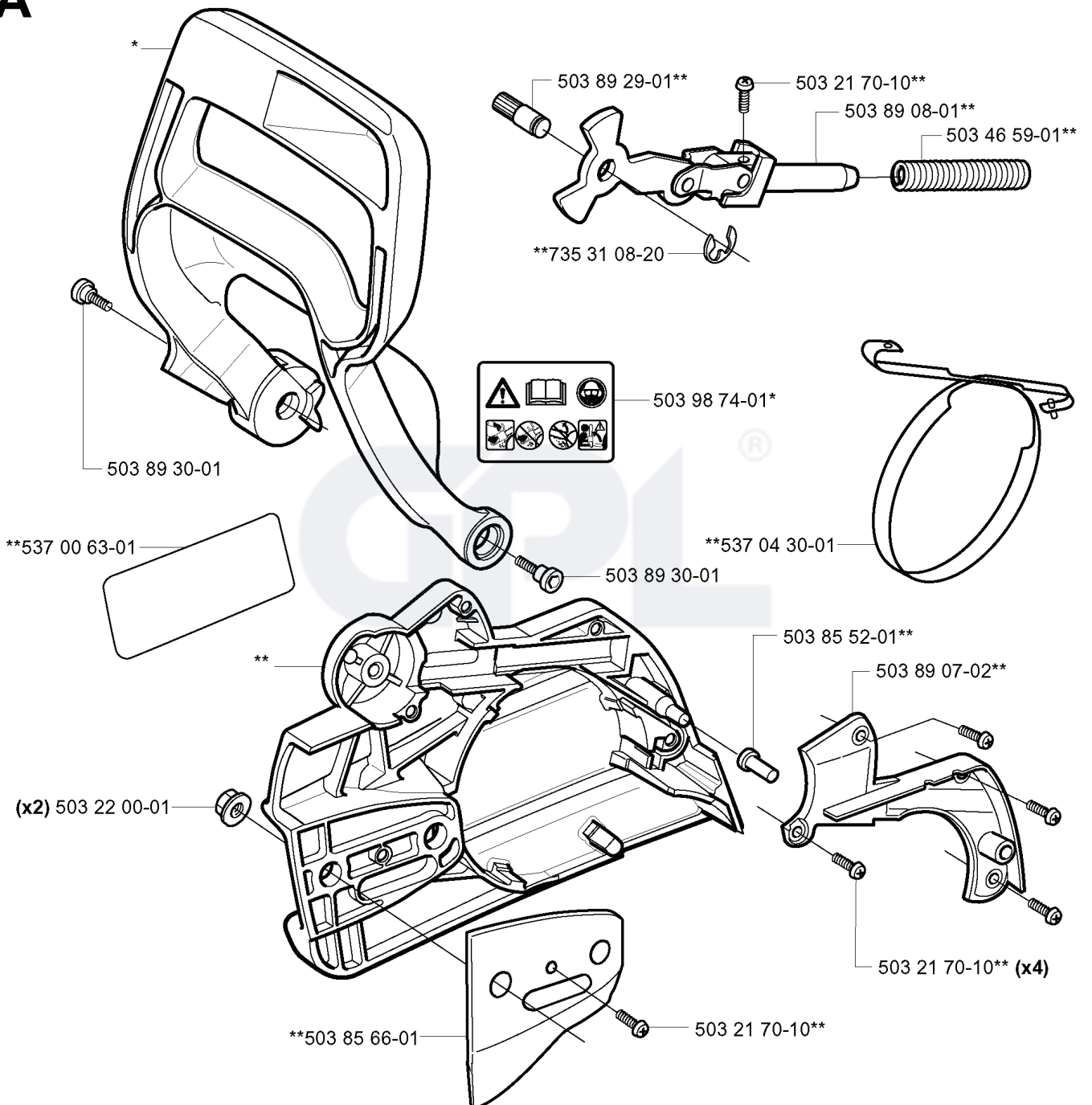
503 88 59-01 (2150)



REF.	PART NO.	DESCRIPTION	REMARK	QTY.	KIT
503 85 15-03	503851503	CRANKCASE ASSY		1	
503 21 74-12	503217412	SCREW IHSCCT		1	
503 87 57-01	503875701	CHAIN GUIDE PLATE		1	
503 43 65-01	503436501	POSITION SPRING		1	
503 89 24-01	503892401	LOCK		1	
503 87 54-01	503875401	BAR BOLT		2	
537 04 03-01	537040301	VALVE		1	
537 07 12-01	537071201	CHAIN TENSIONER		1	
503 88 54-01	503885401	SCREW		1	
501 54 63-01	501546301	SCREW		1	
501 45 41-01	501454101	NUT		1	
503 87 94-01	503879401	RETAINER		1	
503 90 39-02	503903902	TANK CAP		1	
503 57 89-01	503578901	HOLDER		1	
501 62 68-01	501626801	GASKET		1	
503 21 75-20	503217520	SCREW IHSCFT		2	
503 90 59-01	503905901	SPIKE		1	
503 21 70-10	503217010	SCREW CCRPANT		1	
503 87 55-01	503875501	OIL SCREEN		1	
503 21 78-27	503217827	SCREW IHSCCT		4	
503 87 59-01	503875901	GROUND PLATE		1	
503 88 86-01	503888601	AIR NOZZLE		1	
503 22 69-01	503226901	NUT		3	
503 86 93-01	503869301	SUPPORT		1	
503 88 72-01	503887201	BELLOWS		1	
503 21 51-01	503215101	SCREW IHSCCT		1	
503 86 92-01	503869201	BUSHING		1	
503 88 59-01	503885901	BEARING COVER		1	

A *compl 537 01 21-02

**compl 503 99 70-01

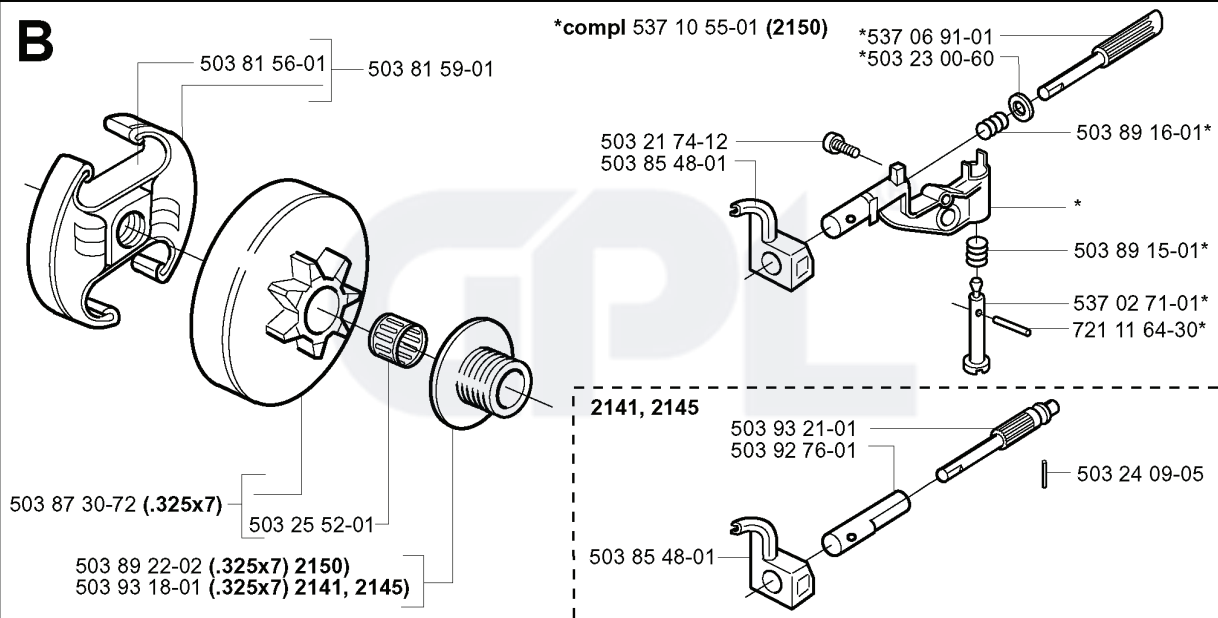


REF.	PART NO.	DESCRIPTION	REMARK	QTY.	KIT
537 01 21-02	537012102	HAND GUARD		1	
537 00 63-01	537006301	LABEL		1	
503 22 00-01	503220001	HEXAGON NUT		2	
503 85 66-01	503856601	COVER PLATE		1	
503 21 70-10	503217010	SCREW CCRPANT		4	
503 89 07-02	503890702	HUB CAP		1	
503 85 52-01	503855201	GUIDE BUSHING		1	
503 89 30-01	503893001	SCREW		1	
537 04 30-01	537043001	BRAKE BAND ASSY		1	
503 98 74-01	503987401	LABEL		1	
735 31 08-20	735310820	E-CLIP		1	
503 89 29-01	503892901	PIN		1	
503 99 70-01	503997001	CHAIN BRAKE		1	
503 46 59-01	503465901	BRAKE SPRING		1	
503 89 08-01	503890801	KNEE JOINT ASSY		1	



B

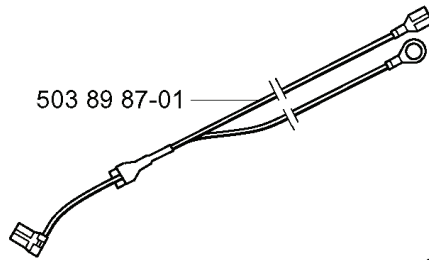
*compl 537 10 55-01 (2150)



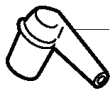
REF.	PART NO.	DESCRIPTION	REMARK	QTY.	KIT
503 81 59-01	503815901	CLUTCH ASSY		1	
503 81 56-01	503815601	CLUTCH SPRING		1	
503 87 30-72	503873072	CLUTCH DRUM ASSY		1	
503 89 22-02	503892202	PUMP PINION		1	
503 93 18-01	503931801	PUMP PINION		1	
503 25 52-01	503255201	NEEDLE BEARING		1	
503 92 76-01	503927601	PUMP CYLINDER		1	
503 93 21-01	503932101	PUMP PISTON		1	
503 85 48-01	503854801	SEALING		1	
503 21 74-12	503217412	SCREW IH SCT		1	
537 10 55-01	537105501	OIL PUMP		1	
537 06 91-01	537069101	PUMP PISTON		1	
503 23 00-60	503230060	WASHER		1	
503 89 16-01	503891601	SPRING		1	
503 89 15-01	503891501	SPRING		1	
537 02 71-01	537027101	ADJUSTER		1	
721 11 64-30	721116430	GROOVED PIN		1	
503 24 09-05	503240905	NEEDLE ROLLER		1	



L



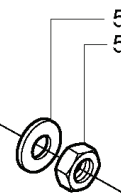
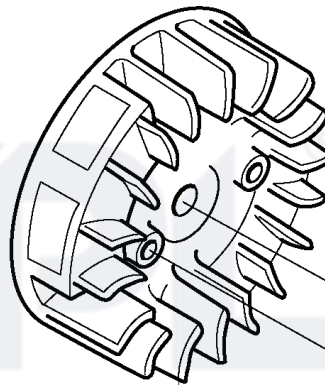
503 89 87-01



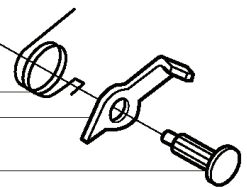
compl 501 48 54-02



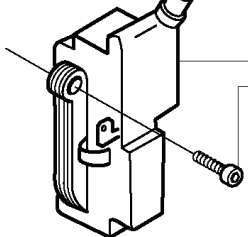
compl 503 82 43-01



503 23 01-01
503 22 10-11



503 78 32-01(X2)
503 89 50-01(X2)
503 79 05-02(X2)

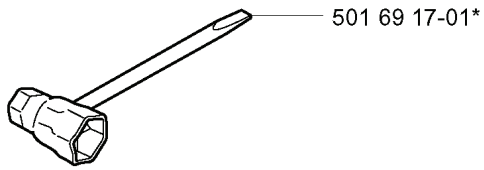


503 96 24-06
503 21 74-25 (x2)

REF.	PART NO.	DESCRIPTION	REMARK	QTY.	KIT
503 89 87-01	503898701	WIRING ASSY		1	
501 48 54-02	501485402	SPARK PLUG CAP		1	
503 82 43-01	503824301	FLYWHEEL		1	
503 96 24-06	503962406	ELECTRONIC MODULE		1	
503 21 74-25	503217425	SCREW IHSCT		2	
503 79 05-02	503790502	RIVET		2	
503 89 50-01	503895001	STARTER PAWL		2	
503 78 32-01	503783201	SPRING		2	
503 22 10-11	503221011	HEXAGON NUT		1	
503 23 01-01	503230101	WASHER		1	

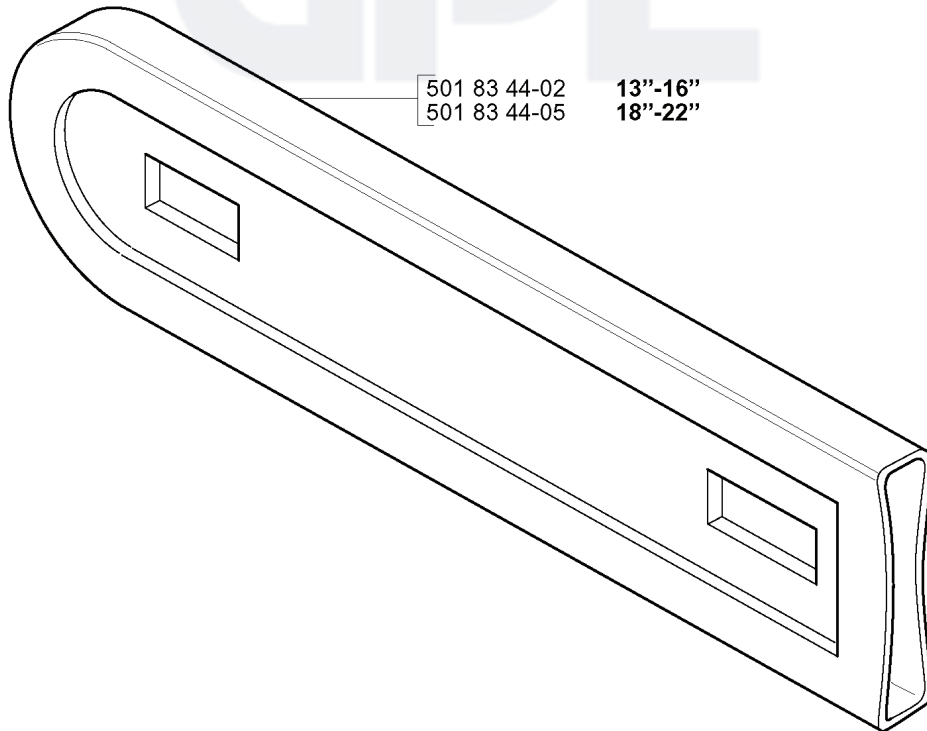
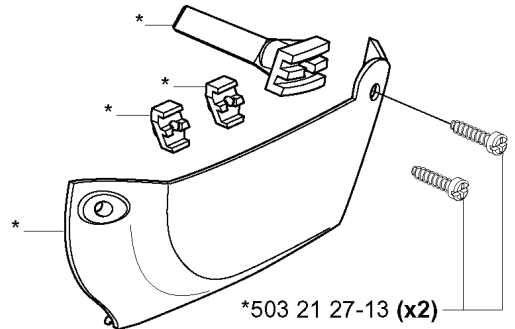


P Accessories
Zubehöre
Accessories
Accesorios
Tillbehör



WINTER KIT

*compl 537 02 83-71



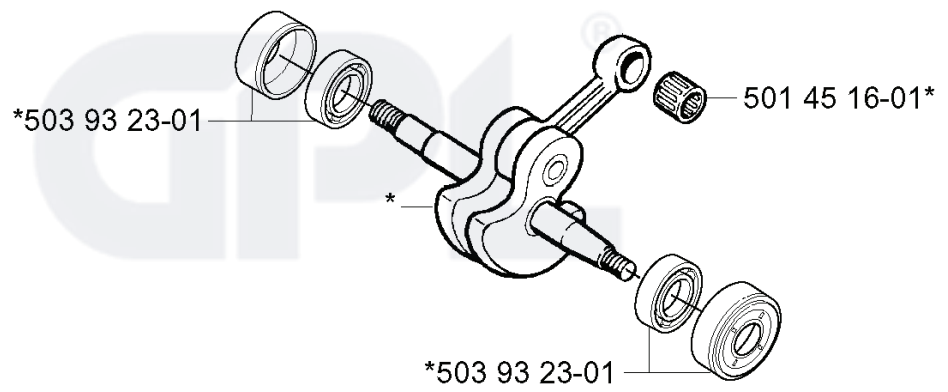
GPL®

REF.	PART NO.	DESCRIPTION	REMARK	QTY.	KIT
5016917-01	501691701	COMBINATION WRENCH		1	
5018344-02	501834402	BAR COVER		1	
5018344-05	501834405	BAR COVER		1	
5032127-13	503212713	SCREW CCRPANT		2	
5370283-71	537028371	WINTER COVER		1	



E

*compl 503 85 80-71



REF.	PART NO.	DESCRIPTION	REMARK	QTY.	KIT
503 85 80-71	503858071	CRANKSHAFT		1	
503 93 23-01	503932301	BEARING CAGE		1	
501 45 16-01	501451601	NEEDLE BEARING		1	

GPL®