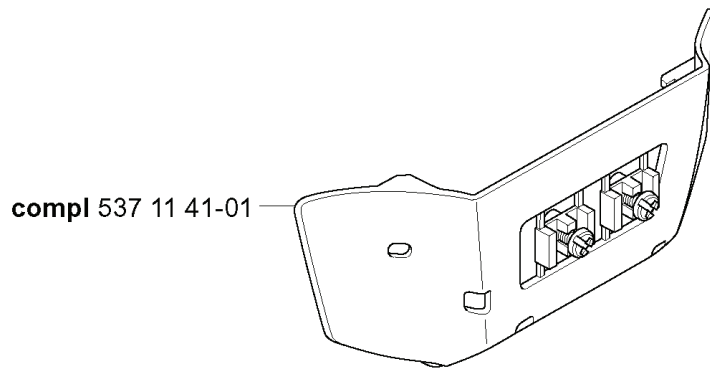
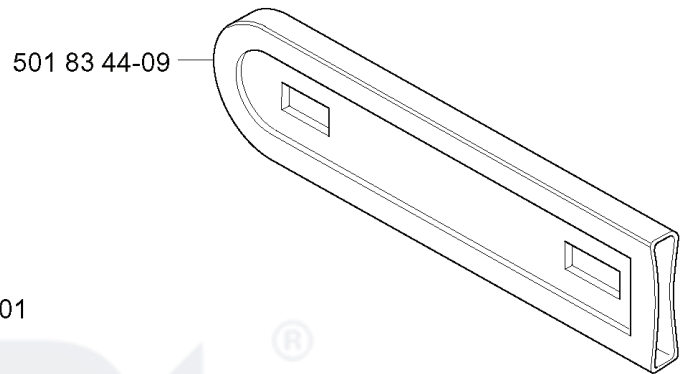
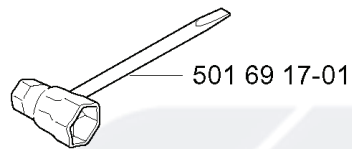


CS2135 T, 2005-03

GPL[®]

SPARE PARTS LIST

P Accessories
Zubehöre
Accessoires
Acessorios
Tillbehör

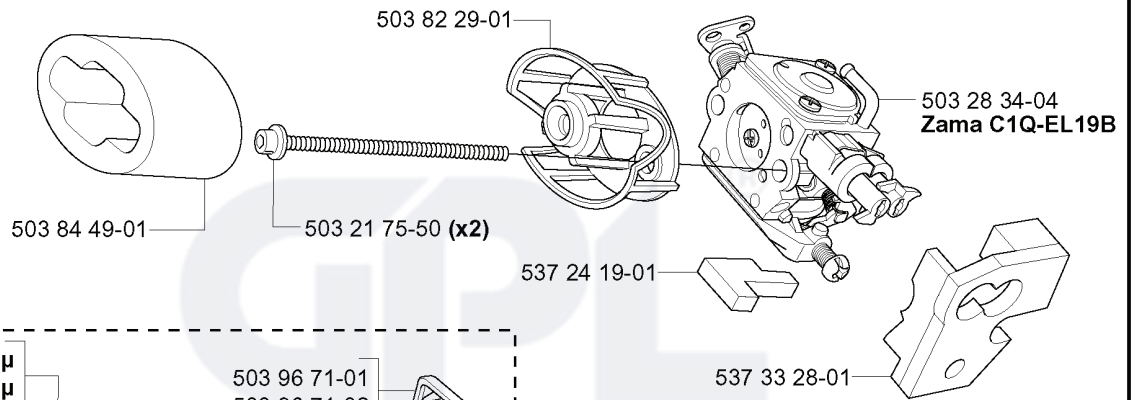


GPL®

REF.	PART NO.	DESCRIPTION	REMARK	QTY.	KIT
5018344-09	501834409	BAR COVER		1	
5016917-01	501691701	COMBINATION WRENCH		1	
5371141-01	537114101	WINTER COVER ASSY		1	

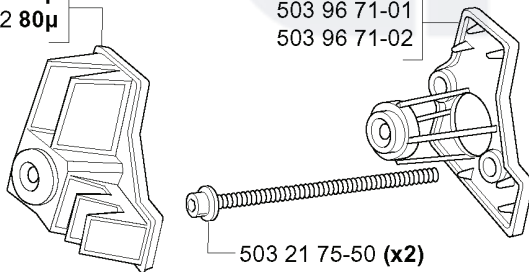


D



503 96 72-01 **52μ**
503 96 72-02 **80μ**

503 96 71-01
503 96 71-02

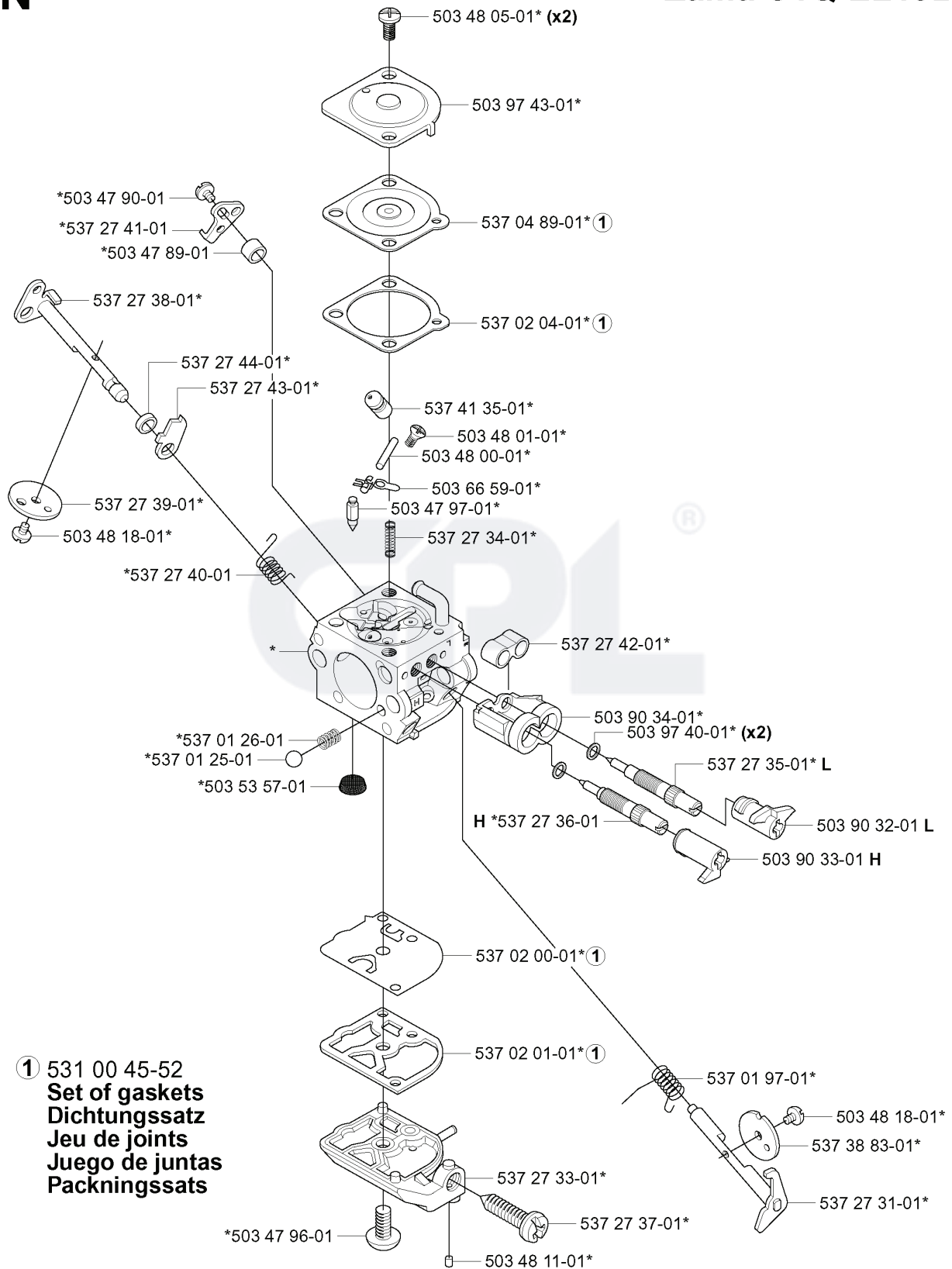


REF.	PART NO.	DESCRIPTION	REMARK	QTY.	KIT
5039672-01	503967201	AIR FILTER	52U	1	
5039672-02	503967202	AIR FILTER	80U	1	
5039671-02	503967102	AIR FILTER BOTTOM		1	
5039671-01	503967101	AIR FILTER BOTTOM		1	
5038449-01	503844901	AIR FILTER		1	
5032175-50	503217550	SCREW IHSCFT		2	
5038229-01	503822901	FILTER HOLDER		1	
5372419-01	537241901	SEALING		1	
5373328-01	537332801	SEALING		1	
5032834-04	503283404	CARBURETTOR	ZAMA C1Q-EL19B	1	

GPL®

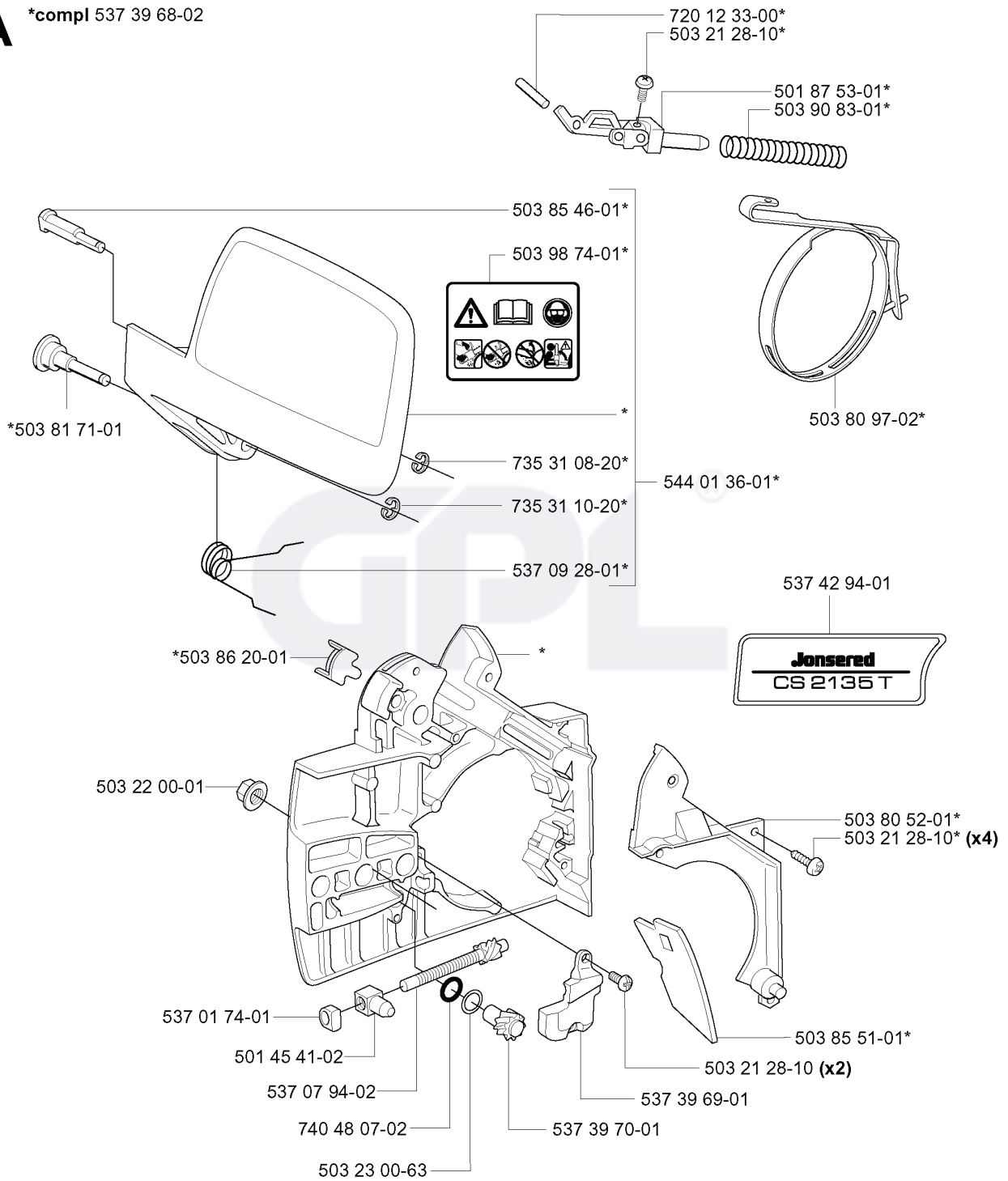
N *compl 503 28 34-04

Zama C1Q-EL19B



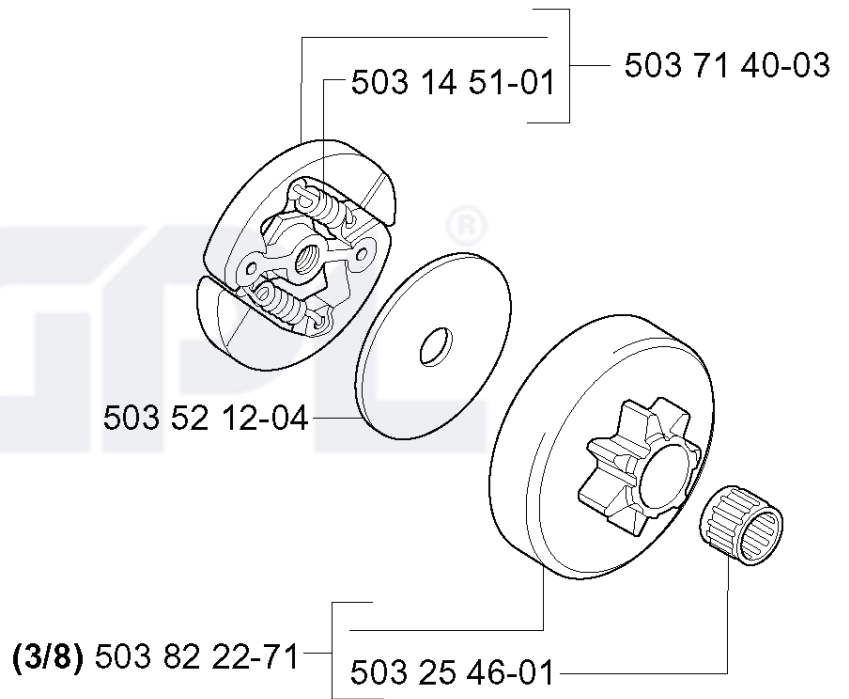
REF.	PART NO.	DESCRIPTION	REMARK	QTY.	KIT
503 28 34-04	503283404	CARBURETTOR		1	
503 47 90-01	503479001	SCREW		1	
537 27 41-01	537274101	LEVER		1	
503 47 89-01	503478901	COLLAR		1	
537 27 38-01	537273801	SHAFT ASSY		1	
537 27 44-01	537274401	COLLAR		1	
537 27 43-01	537274301	LEVER		1	
537 27 39-01	537273901	VALVE		1	
537 27 40-01	537274001	SPRING		1	
537 01 26-01	537012601	SPRING		1	
537 01 25-01	537012501	BALL		1	
503 53 57-01	503535701	STRAINER		1	
503 47 96-01	503479601	SCREW		1	
503 48 11-01	503481101	PIECE		1	
537 27 37-01	537273701	SCREW		1	
537 27 33-01	537273301	COVER		1	
537 02 01-01	537020101	GASKET	531 00 45-52 SET OF GASKETS	1	
537 02 00-01	537020001	DIAPHRAGM PUMP	531 00 45-52 SET OF GASKETS	1	
537 27 36-01	537273601	SCREW	H	1	
537 27 34-01	537273401	SPRING		1	
503 47 97-01	503479701	VALVE		1	
503 66 59-01	503665901	LEVER		1	
503 48 00-01	503480001	PIN RETAINING SCREW		1	
503 48 01-01	503480101	SCREW		1	
537 41 35-01	537413501	NOZZLE ASSY		1	
537 02 04-01	537020401	GASKET	531 00 45-52 SET OF GASKETS	1	
537 04 89-01	537048901	DIAPHRAGM	531 00 45-52 SET OF GASKETS	1	
503 97 43-01	503974301	COVER		1	
503 48 05-01	503480501	SCREW		2	
537 27 42-01	537274201	BOOT		1	
503 90 34-01	503903401	RETAINER		1	
503 97 40-01	503974001	WASHER		2	
537 27 35-01	537273501	SCREW	L	1	
503 90 32-01	503903201	LIMITER CAP	L	1	
503 90 33-01	503903301	LIMITER CAP	H	1	
537 01 97-01	537019701	SPRING		1	
503 48 18-01	503481801	SCREW		1	
537 38 83-01	537388301	VALVE		1	
537 27 31-01	537273101	SHAFT ASSY		1	

A *compl 537 39 68-02



REF.	PART NO.	DESCRIPTION	REMARK	QTY.	KIT
544 00 55-02	544005502	CHAIN BRAKE ASSY		1	
503 81 71-01	503817101	SHAFT PIVOT		1	
503 86 20-01	503862001	SPRING GUIDE		1	
503 22 00-01	503220001	HEXAGON NUT		1	
537 01 74-01	537017401	BEARING SLEEVE		1	
501 45 41-02	501454102	NUT		1	
537 07 94-02	537079402	WORM WHEEL		1	
740 48 07-02	740480702	O-RING		1	
503 23 00-63	503230063	WASHER		1	
537 39 70-01	537397001	WORM SCREW		1	
537 09 28-01	537092801	POSITION SPRING		1	
735 31 10-20	735311020	E-CLIP		1	
735 31 08-20	735310820	E-CLIP		1	
503 98 74-01	503987401	LABEL		1	
503 85 46-01	503854601	PIVOT PIN		1	
720 12 33-00	720123300	PARALLEL PIN		1	
501 87 53-01	501875301	KNEE JOINT ASSY		1	
503 90 83-01	503908301	BRAKE SPRING		1	
503 80 97-02	503809702	BRAKE BAND ASSY		1	
544 01 36-01	544013601	HAND GUARD ASSY		1	
537 42 94-01	537429401	LABEL		1	
503 80 52-01	503805201	HUB CAP		1	
503 85 51-01	503855101	CHIP GUARD		1	
503 21 28-10	503212810	SCREW CCRPANT		2	
537 39 69-01	537396901	COVER LID		1	

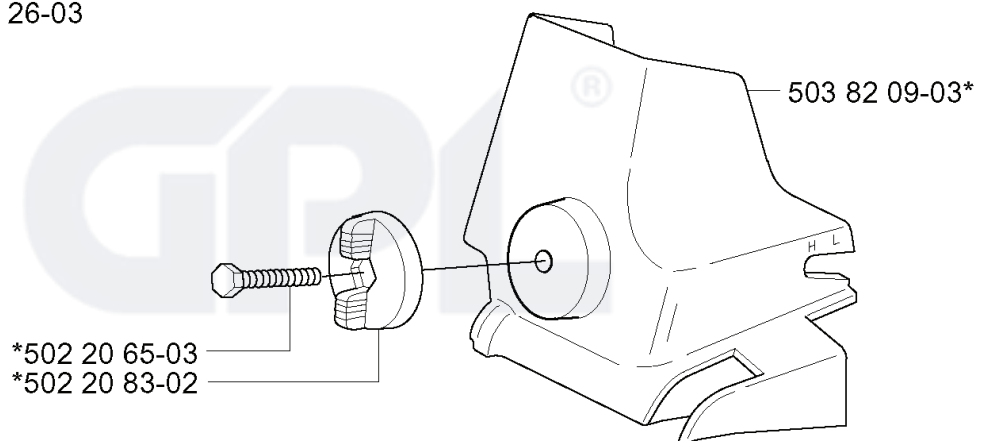
B



REF.	PART NO.	DESCRIPTION	REMARK	QTY.	KIT
503 14 51-01	503145101	CLUTCH SPRING		1	
503 52 12-04	503521204	WASHER		1	
503 82 22-71	503822271	CLUTCH DRUM ASSY	3/8	1	
503 25 46-01	503254601	NEEDLE BEARING		1	
503 71 40-03	503714003	CLUTCH ASSY		1	



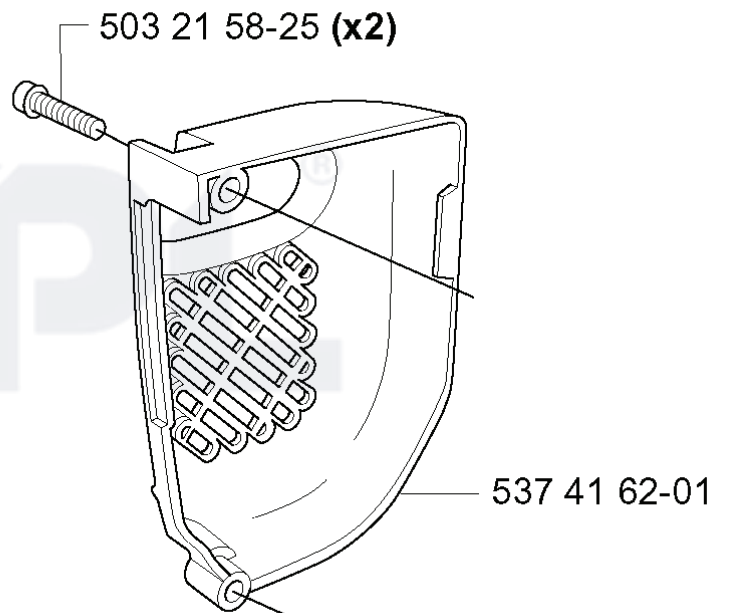
C *compl 503 79 26-03



REF.	PART NO.	DESCRIPTION	REMARK	QTY.	KIT
503 79 26-03	503792603	AIR FILTER COVER		1	
502 20 65-03	502206503	SCREW EHHM		1	
502 20 83-02	502208302	KNOB		1	
503 82 09-03	503820903	AIR FILTER COVER		1	

GPL®

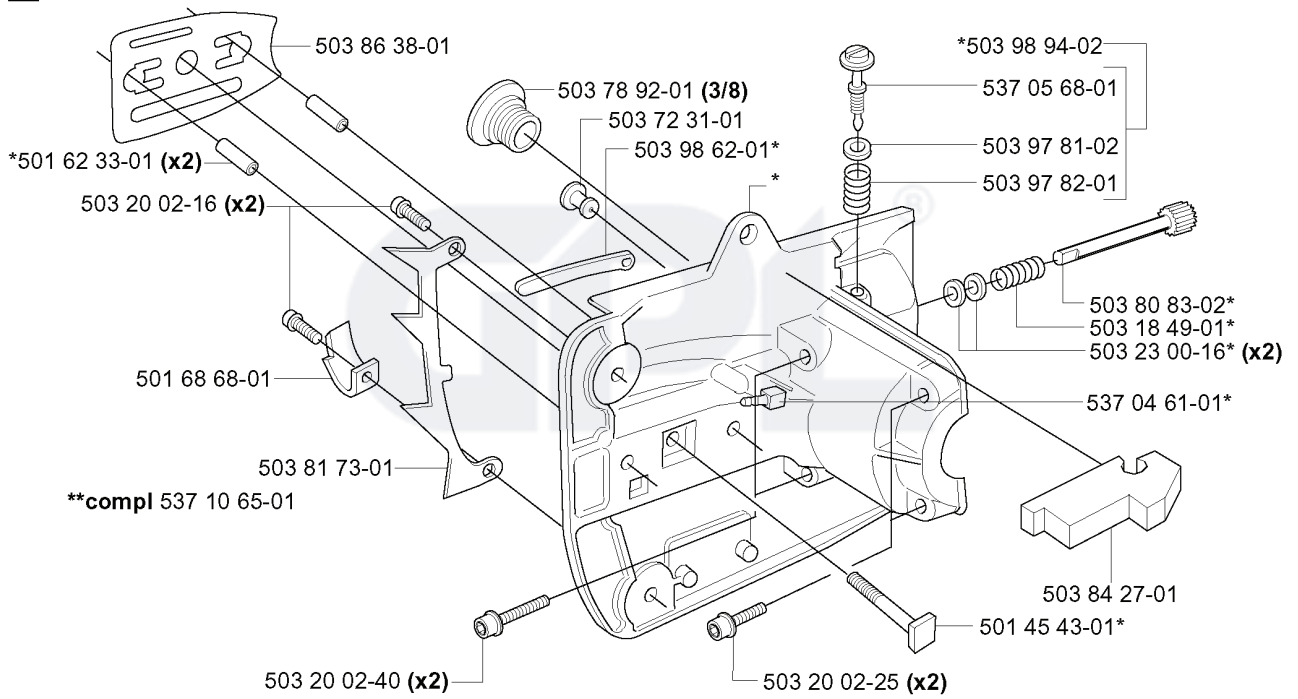
E



REF.	PART NO.	DESCRIPTION	REMARK	QTY.	KIT
503 21 58- 25	503215825	SCREW		2	
537 41 62- 01	537416201	MUFFLER COVER		1	

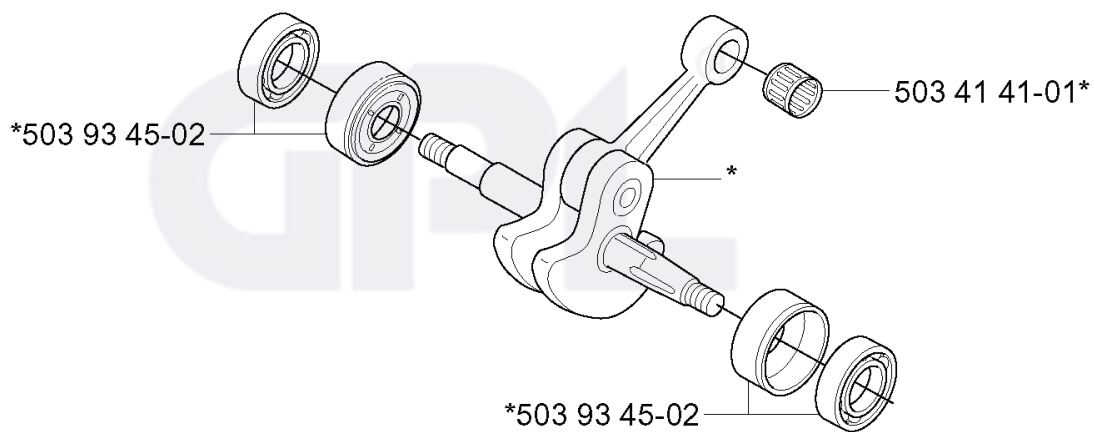
GPL®

L *compl 503 79 22-04



REF.	PART NO.	DESCRIPTION	REMARK	QTY.	KIT
503 79 22-04	503792204	CRANKCASE ASSY		1	
503 86 38-01	503863801	COVER PLATE		1	
501 62 33-01	501623301	SPRING PIN		2	
503 20 02-16	503200216	SCREW IHSCFM		2	
501 68 68-01	501686801	CHAIN CATCHER		1	
503 81 73-01	503817301	SPIKE		1	
537 10 65-01	537106501	ADJUSTMENT SCREW		1	
503 20 02-40	503200240	SCREW IHSCFM		2	
503 20 02-25	503200225	SCREW IHSCFM		2	
503 98 62-01	503986201	SEALING		1	
503 72 31-01	503723101	BUSHING		1	
503 78 92-01	503789201	PUMP PINION	3/8	1	
503 98 94-02	503989402	SCREW KIT		1	
537 05 68-01	537056801	ADJUSTER		1	
503 97 81-02	503978102	STOP WASHER		1	
503 97 82-01	503978201	SPRING		1	
503 80 83-02	503808302	PUMP PISTON		1	
503 18 49-01	503184901	SPRING		1	
503 23 00-16	503230016	WASHER		2	
537 04 61-01	537046101	NIPPLE		1	
503 84 27-01	503842701	HEAT SEALING		1	
501 45 43-01	501454301	BAR BOLT		1	

K *compl 537 37 67-01



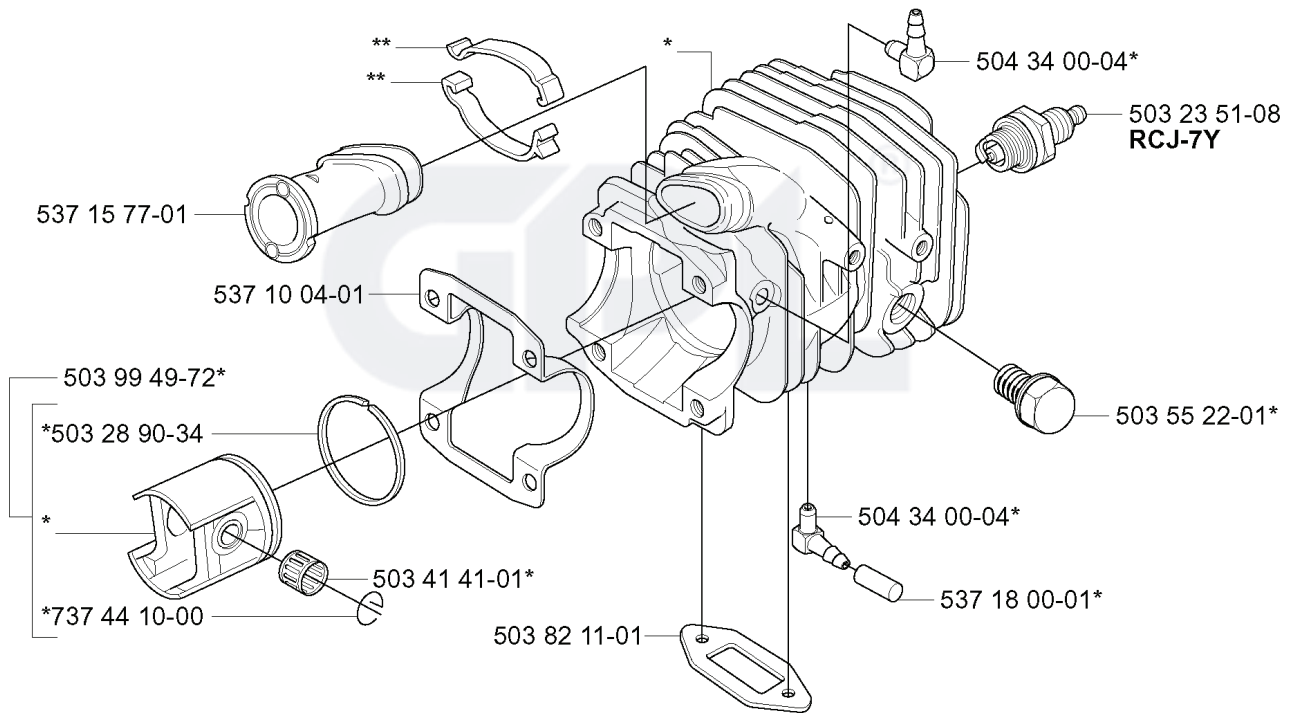
REF.	PART NO.	DESCRIPTION	REMARK	QTY.	KIT
537 37 67-01	537376701	CRANKSHAFT ASSY		1	
503 93 45-02	503934502	BEARING CAGE		1	
503 41 41-01	503414101	NEEDLE BEARING		1	

GPL®

J

*compl 537 09 21-01

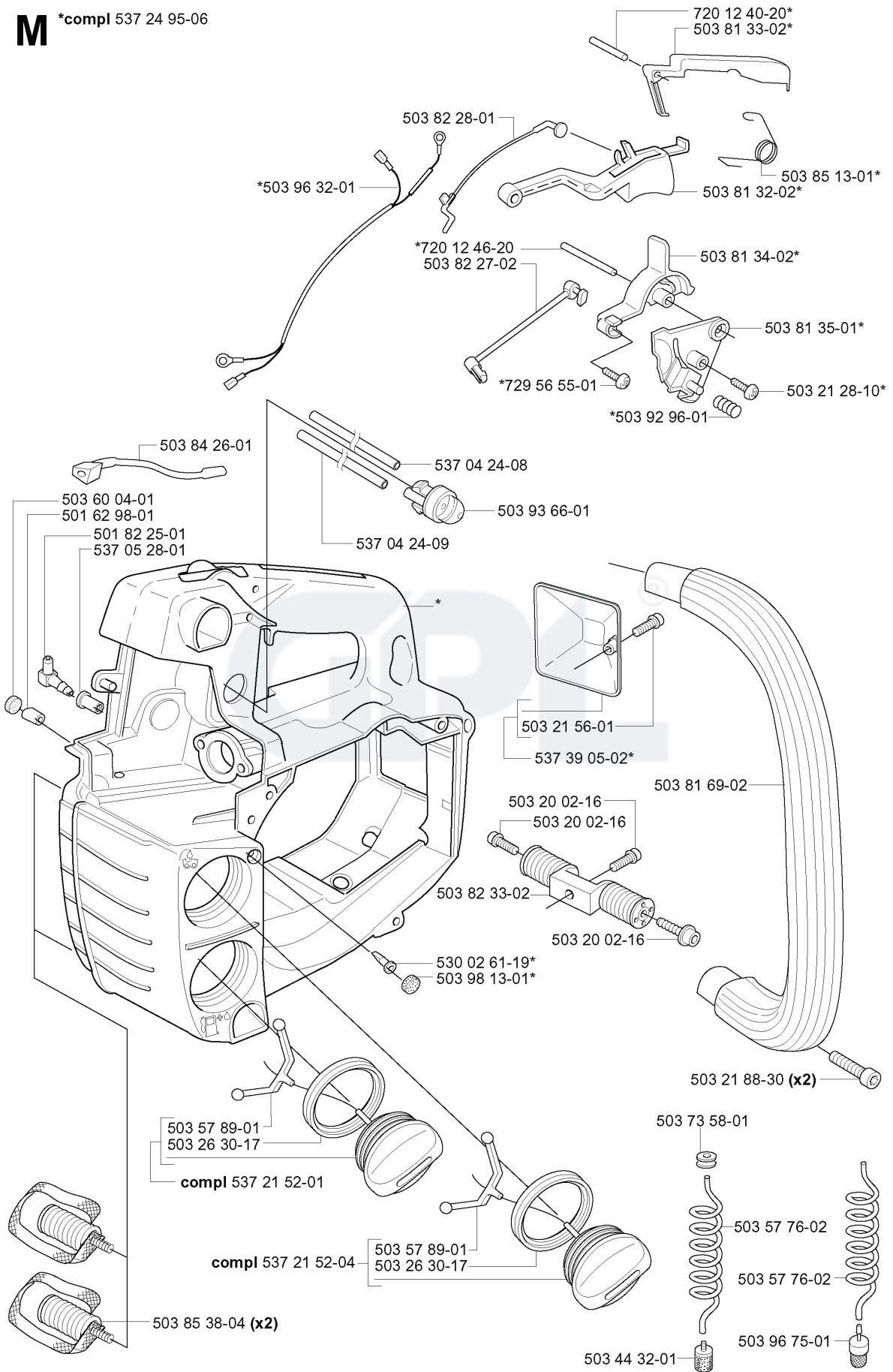
**compl 537 16 73-01



REF.	PART NO.	DESCRIPTION	REMARK	QTY.	KIT
537 09 21-01	537092101	CYLINDER		1	
537 15 77-01	537157701	INLET PIPE		1	
503 99 49-72	503994972	PISTON ASSY		1	
503 28 90-34	503289034	PISTON RING		1	
737 44 10-00	737441000	SNAP RING		1	
503 82 11-01	503821101	GASKET		1	
503 41 41-01	503414101	NEEDLE BEARING		1	
537 10 04-01	537100401	GASKET		1	
537 16 73-01	537167301	CLIP		1	
504 34 00-04	504340004	FITTING		1	
503 23 51-08	503235108	SPARK PLUG	RCJ-7Y	1	
503 55 22-01	503552201	PLUG		1	
537 18 00-01	537180001	PROTECTIVE CAP		1	

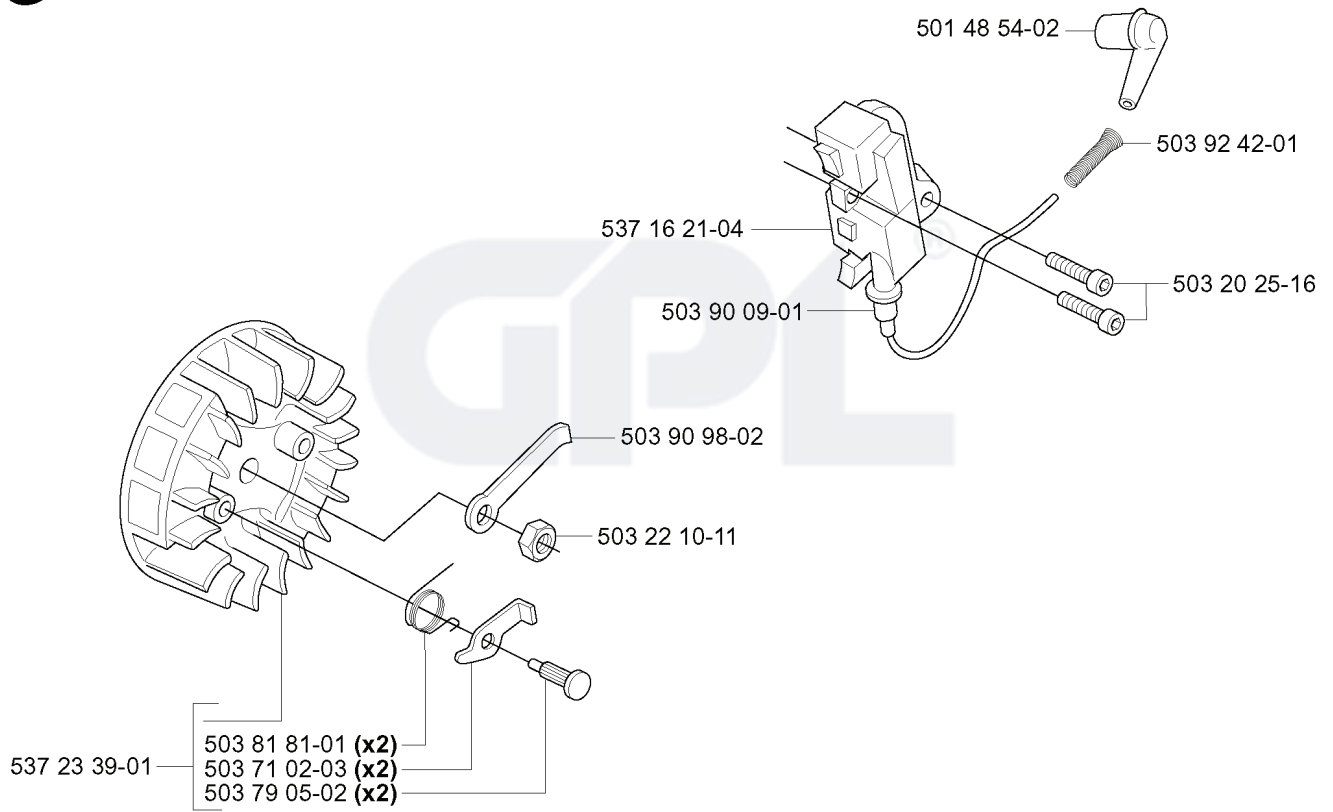


M *compl 537 24 95-06



REF.	PART NO.	DESCRIPTION	REMARK	QTY.	KIT
537 24 95-06	537249506	TANK UNIT ASSY		1	
503 96 32-01	503963201	WIRING ASSY		1	
503 84 26-01	503842601	IMPULSE HOSE		1	
503 60 04-01	503600401	FILTER PLUG		1	
501 62 98-01	501629801	VALVE PLUG		1	
501 82 25-01	501822501	FITTING		1	
537 05 28-01	537052801	VALVE SLEEVE		1	
537 21 52-01	537215201	TANK CAP ASSY		1	
537 21 52-04	537215204	TANK CAP ASSY		1	
503 85 38-04	503853804	ANTIVIBRATION ELEMENT		2	
503 26 30-17	503263017	O-RING		1	
503 57 89-01	503578901	HOLDER		1	
503 98 13-01	503981301	PLUG		1	
530 02 61-19	530026119	CHECK VALVE		1	
503 82 33-02	503823302	ANTIVIBRATION ELEMENT		1	
537 04 24-09	537042409	FUEL HOSE		1	
503 93 66-01	503936601	PURGE		1	
537 04 24-08	537042408	FUEL HOSE		1	
729 56 55-01	729565501	SCREW CCRPANT		1	
503 82 27-02	503822702	CHOKE ROD		1	
720 12 46-20	720124620	PARALLEL PIN		1	
503 82 28-01	503822801	THROTTLE ROD		1	
720 12 40-20	720124020	PARALLEL PIN		1	
503 81 33-02	503813302	THROTTLE LOCKOUT		1	
503 85 13-01	503851301	SPRING		1	
503 81 32-02	503813202	THROTTLE TRIGGER		1	
503 81 34-02	503813402	CHOKE		1	
503 81 35-01	503813501	PLATE		1	
503 21 28-10	503212810	SCREW CCRPANT		1	
503 92 96-01	503929601	SPRING		1	
503 21 56-01	503215601	SCREW CIHSCMO		1	
537 39 05-02	537390502	SPARK PLUG COVER ASS		1	
503 20 02-16	503200216	SCREW IHSCFM		1	
503 44 32-01	503443201	FUEL FILTER		1	
503 96 75-01	503967501	OIL PLUMMET		1	
503 57 76-02	503577602	FUEL HOSE		1	
537 05 11-01	537051101	HOSE CLAMP		1	
503 73 58-01	503735801	BUSHING		1	
503 21 88-30	503218830	SCREW IH SCT		2	
503 81 69-02	503816902	FRONT HANDLE		1	

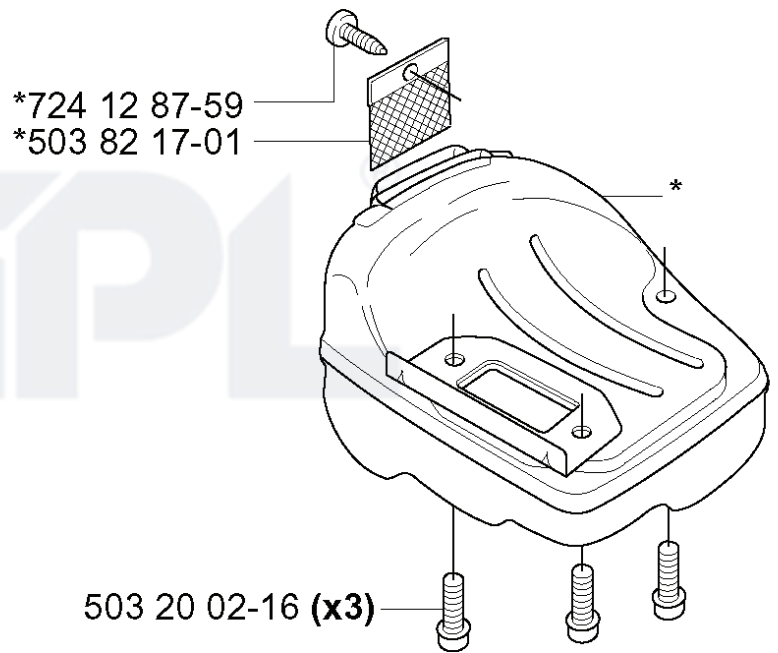
G



REF.	PART NO.	DESCRIPTION	REMARK	QTY.	KIT
537 23 39-01	537233901	FLYWHEEL		1	
503 79 05-02	503790502	RIVET		2	
503 71 02-03	503710203	STARTER PAWL		2	
503 81 81-01	503818101	SPRING		2	
503 22 10-11	503221011	HEXAGON NUT		1	
503 90 98-02	503909802	COUNTERWEIGHT		1	
503 90 09-01	503900901	GUIDE		1	
537 16 21-04	537162104	IGNITION SYSTEM		1	
501 48 54-02	501485402	SPARK PLUG CAP		1	
503 92 42-01	503924201	CABLE COVER		1	
503 20 25-16	503202516	SCREW IHSCM		1	

GPL®

F *compl 503 93 03-03



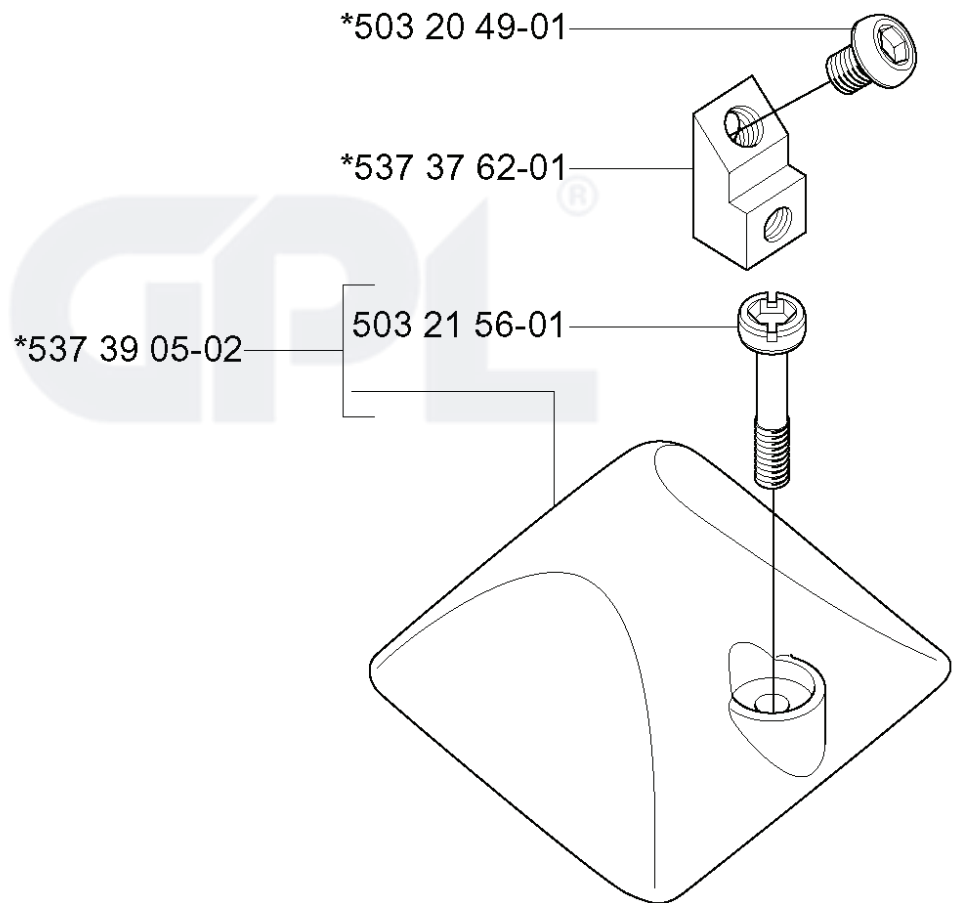
REF.	PART NO.	DESCRIPTION	REMARK	QTY.	KIT
503 93 03-03	503930303	MUFFLER ASSY		1	
724 12 87-59	724128759	SCREW CRPANM		1	
503 82 17-01	503821701	SPARK ARRESTER SCREEN		1	
503 20 02-16	503200216	SCREW IHSCFM		3	



Q



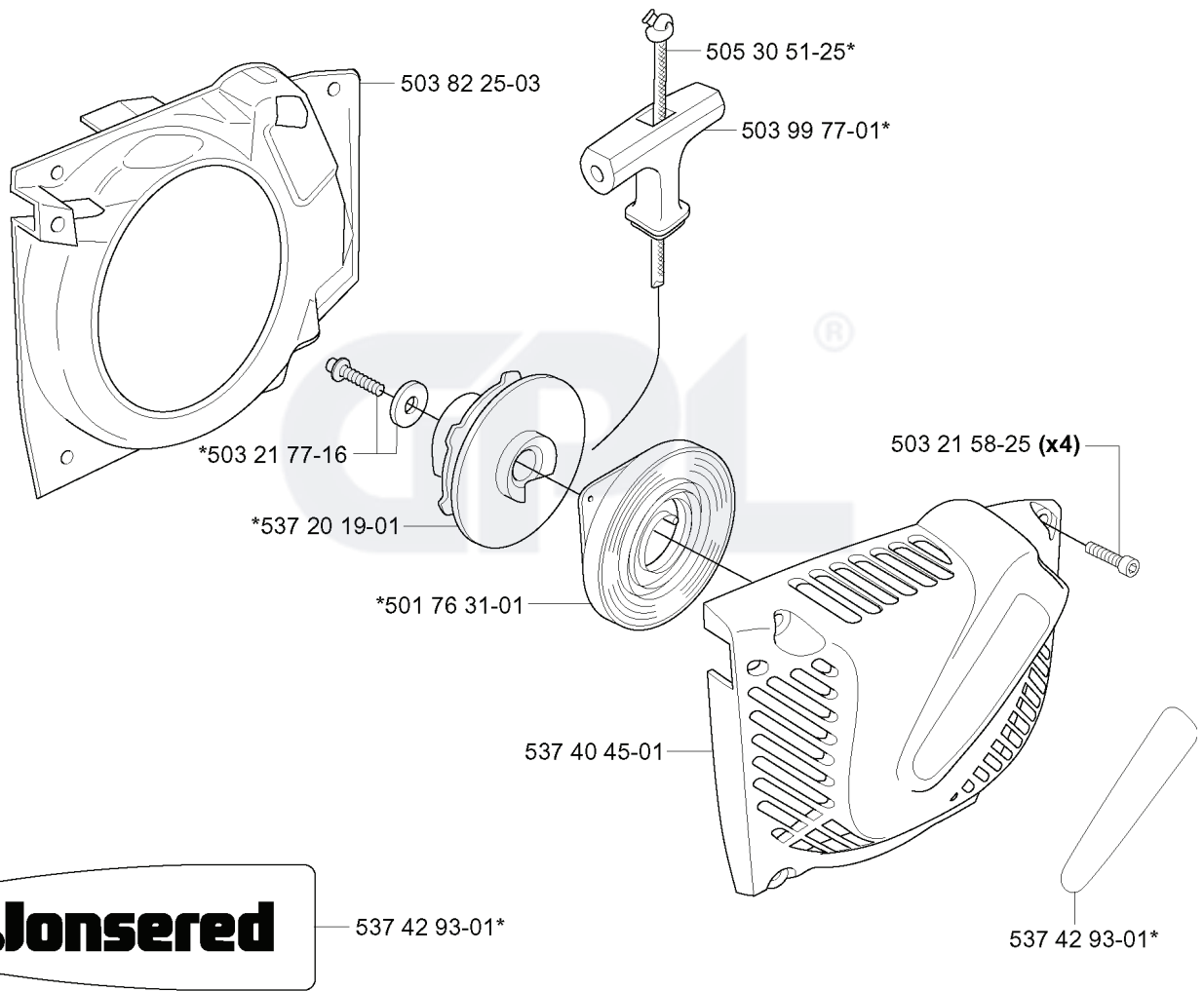
*compl 537 40 98-01



REF.	PART NO.	DESCRIPTION	REMARK	QTY.	KIT
537 40 98-01	537409801	COVER		1	
503 20 49-01	503204901	SCREW IHANM		1	
537 37 62-01	537376201	NUT		1	
503 21 56-01	503215601	SCREW CIHSCMO		1	
537 39 05-02	537390502	SPARK PLUG COVER ASS		1	



H *compl 537 40 46-02



REF.	PART NO.	DESCRIPTION	REMARK	QTY.	KIT
537 40 46-02	537404602	STARTER ASSY		1	
503 82 25-03	503822503	AIR CONDUCTOR		1	
503 21 77-16	503217716	SCREW IHSCT		1	
537 20 19-01	537201901	STARTER PULLEY		1	
501 76 31-01	501763101	SPRING CASSETTE ASSY		1	
537 40 45-01	537404501	STARTER HOUSING		1	
537 42 93-01	537429301	LABEL		1	
503 21 58-25	503215825	SCREW		4	
503 99 77-01	503997701	STARTER HANDLE		1	
505 30 51-25	505305125	STARTER ROPE		1	

