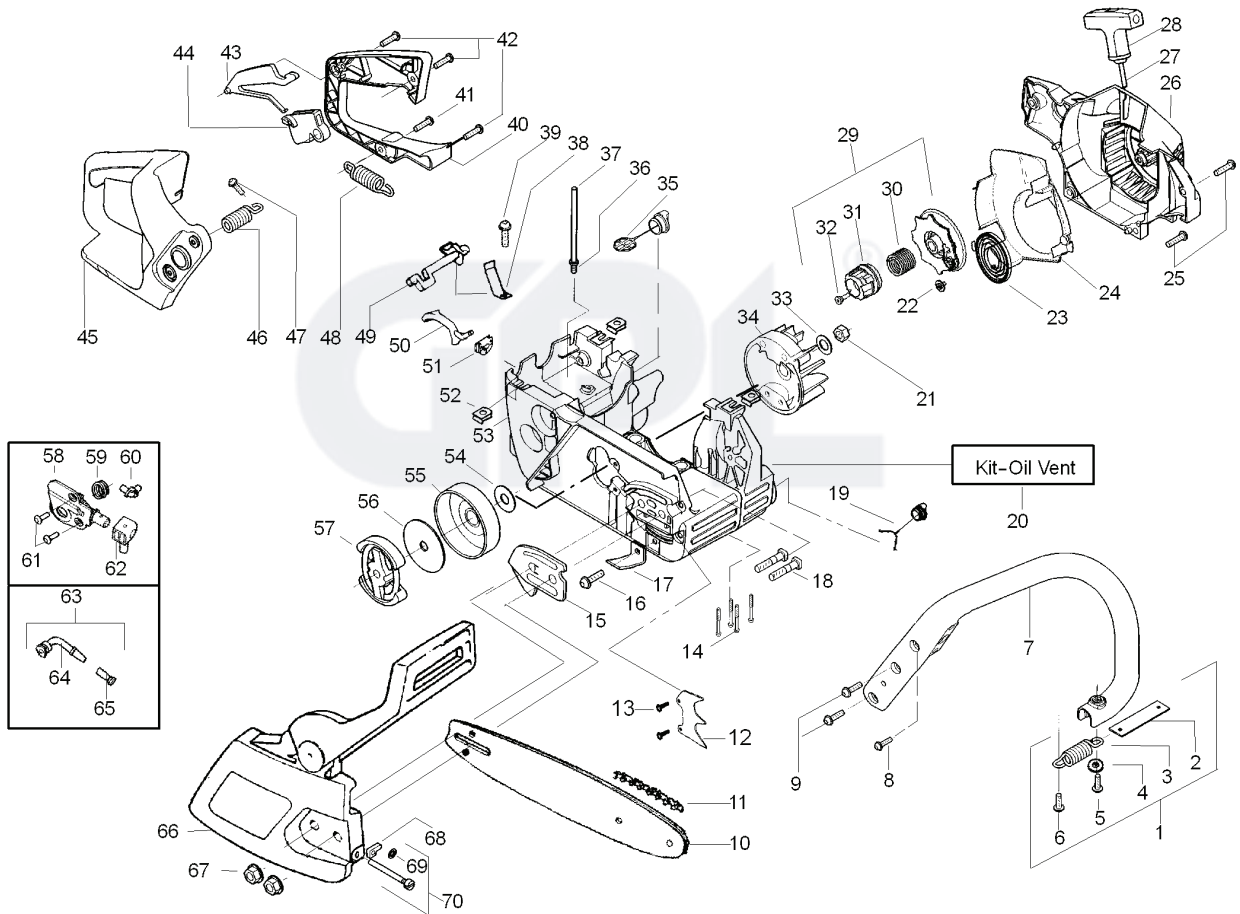


CS2137 46 CC, 2009-02

GPL[®]

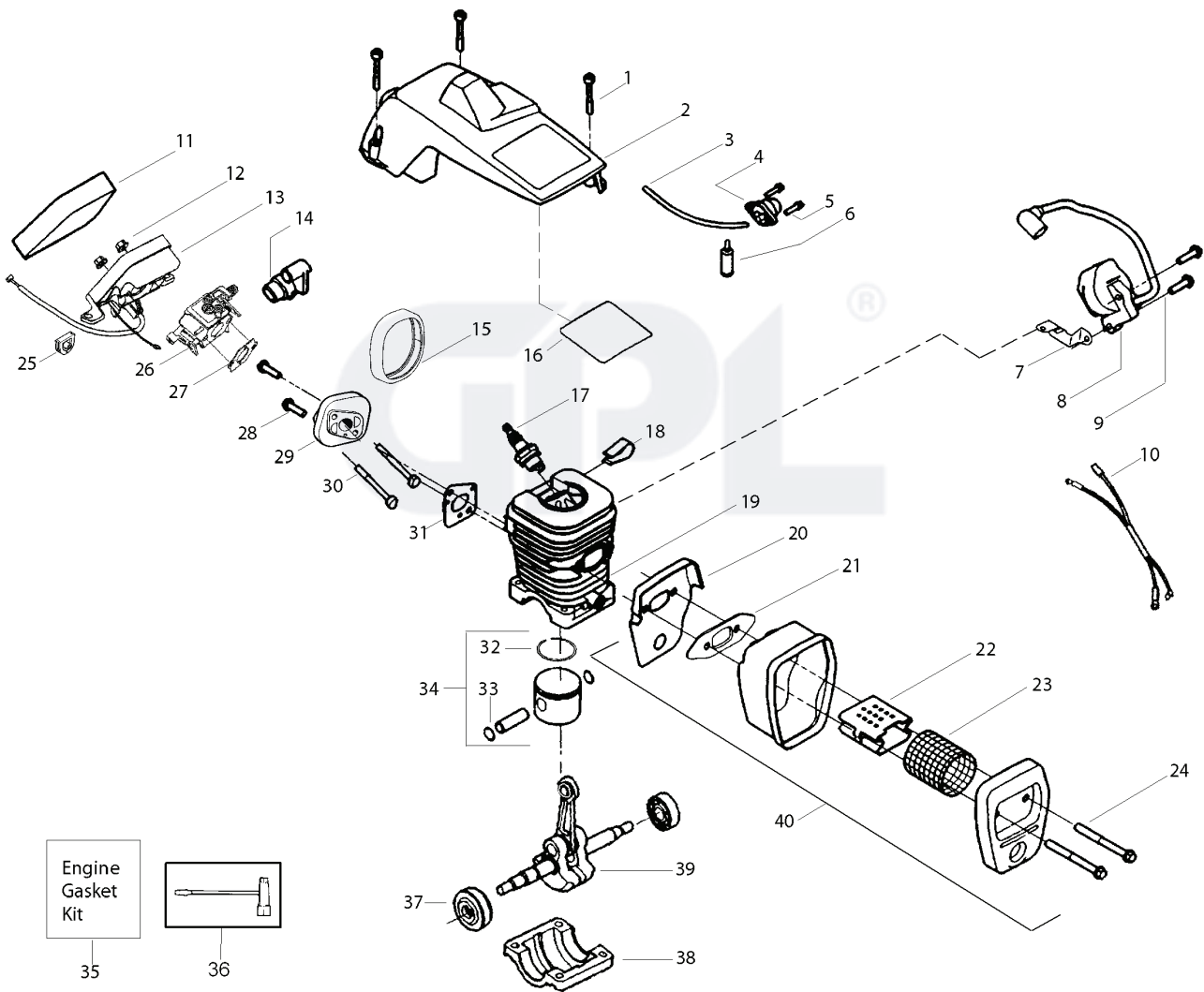
SPARE PARTS LIST

PARTS LIST NO. 530165401		Jonsered PARTS LIST	CHAIN SAW MODEL(S) CS2138 46cc
DATE 5/29/08	Replaces		PAGE NO. 1
Note: Illustration may differ from actual model due to design changes			



REF.	PART NO.	DESCRIPTION	REMARK	QTY.	KIT
1	530059667	INSULATOR		1	
2	530047608	STRAP		1	
3	530059668	SPRING		1	
4	530015158	WASHER		1	
5	530016018	SCREW		1	
6	530015843	SCREW		1	
7	545048001	FRONT HANDLE		1	
8	530015940	SCREW		1	
9	530015814	SCREW		1	
12	530014381	FELLING DOG		1	
13	530016439	SCREW		1	
14	530016132	BOLT		1	
15	530038238	PLATE		1	
16	530015814	SCREW		1	
17	530029850	CHAIN CATCHER		1	
18	530016133	BOLT		1	
19	530010846	OIL TANK CAP		1	
20	530071666	VALVE		1	
21	530016134	NUT		1	
22	530016080	SCREW		1	
23	530037817	STARTER PULLEY		1	
24	530055723	PARTITION		1	
25	530015892	SCREW		1	
26	530057099	STARTER DEVICE		1	
27	530069232	STARTER ROPE		1	
28	530056402	HANDLE		1	
29	530027531	SPRING		1	
30	530015920	SCREW		1	
31	530015127	WASHER		1	
32	530047534	FLYWHEEL ASSY		1	
33	530047192	TANK		1	
34	530023877	NIPPLE		1	
35	530069216	FUEL HOSE		1	
36	530016149	SPRING		1	
37	530015775	SCREW		1	
38	530047581	HANDLE		1	
39	530015886	SCREW		1	
40	530015906	SCREW		1	
41	530036098	THROTTLE LOCK		1	
42	530036097	THROTTLE TRIGGER		1	
43	545025001	HANDLE		1	
44	530071958	SPRING		1	
45	530015875	SCREW		1	
46	530059668	SPRING		1	
47	530057473	LEVER		1	
48	530057474	LEVER		1	
49	530049005	GUIDE		1	
50	530015922	NUT		1	
51	530058730	KIT		1	
52	530015907	WASHER		1	
53	530047061	CLUTCH DRUM ASSY		1	
54	530015611	WASHER		1	
55	530014949	CLUTCH		1	
56	530071259	OIL PUMP		1	
57	530037820	WORM GEAR		1	
58	530049477	ELBOW		1	
59	530016064	SCREW		1	
60	530019206	SEALING		1	
61	530047663	HOSE		1	
62	530038373	HOSE		1	
63	530056533	SCREEN		1	
64	545139905	CHAIN BRAKE		1	
65	530015917	NUT		1	
66	530015826	PEN		1	
67	530038593	RETAINER		1	
68	530069611	RETAINER		1	

PARTS LIST NO. 530165401		Jonsered PARTS LIST	CHAIN SAW MODEL(s) CS2138 46cc
DATE 5/29/08	Replaces		PAGE NO. 2
Note: Illustration may differ from actual model due to design changes			



REF.	PART NO.	DESCRIPTION	REMARK	QTY.	KIT
1	530016153	SCREW		1	
2	530055709	SHIELD--CYLINDER		1	
3	530069247	HOSE		1	
4	530071835	PURGE		1	
5	530015780	SCREW		1	
6	530095646	FILTER		1	
7	530047442	PLATE		1	
8	530039167	IGNITION MODULE		1	
9	530015814	SCREW		1	
10	530057475	ASSEMBLY		1	
11	530037793	AIR FILTER		1	
12	530016101	NUT		1	
13	530057702	ASSEMBLY		1	
14	530049244	SLEEVE		1	
15	530054144	SEALING		1	
16	530055698	REFLECTOR-HEAT		1	
17	952030150	SPARK PLUG		1	
18	530016136	CLAMP		1	
19	545122101	CYLINDER		1	
20	530049870	PLATE		1	
21	530069608	GASKET KIT		1	
22	530037813	FLAME PROTECTION		1	
23	530036103	SCREEN		1	
24	530016132	BOLT		1	
25	530047631	GROMMET		1	
-	545081885	CARBURETTOR		1	
27	530069608	GASKET KIT		1	
28	530016386	SCREW		1	
29	530049700	PARTITION		1	
30	530016187	SCREW		1	
31	530069608	GASKET KIT		1	
32	530037380	PISTON RING		1	
33	530015697	LOCKING RING		1	
34	545081872	PISTON ASSY		1	
35	530069608	GASKET KIT		1	
36	530031135	WRENCH		1	
37	530056363	BEARING		1	
38	530037935	COVER		1	
39	545113101	CRANKSHAFT ASSY		1	
40	530047207	MUFFLER		1	
-	545003031	LABEL		1	

