



CS2139T

Spare parts

Ersatzteile

Pièces détachées

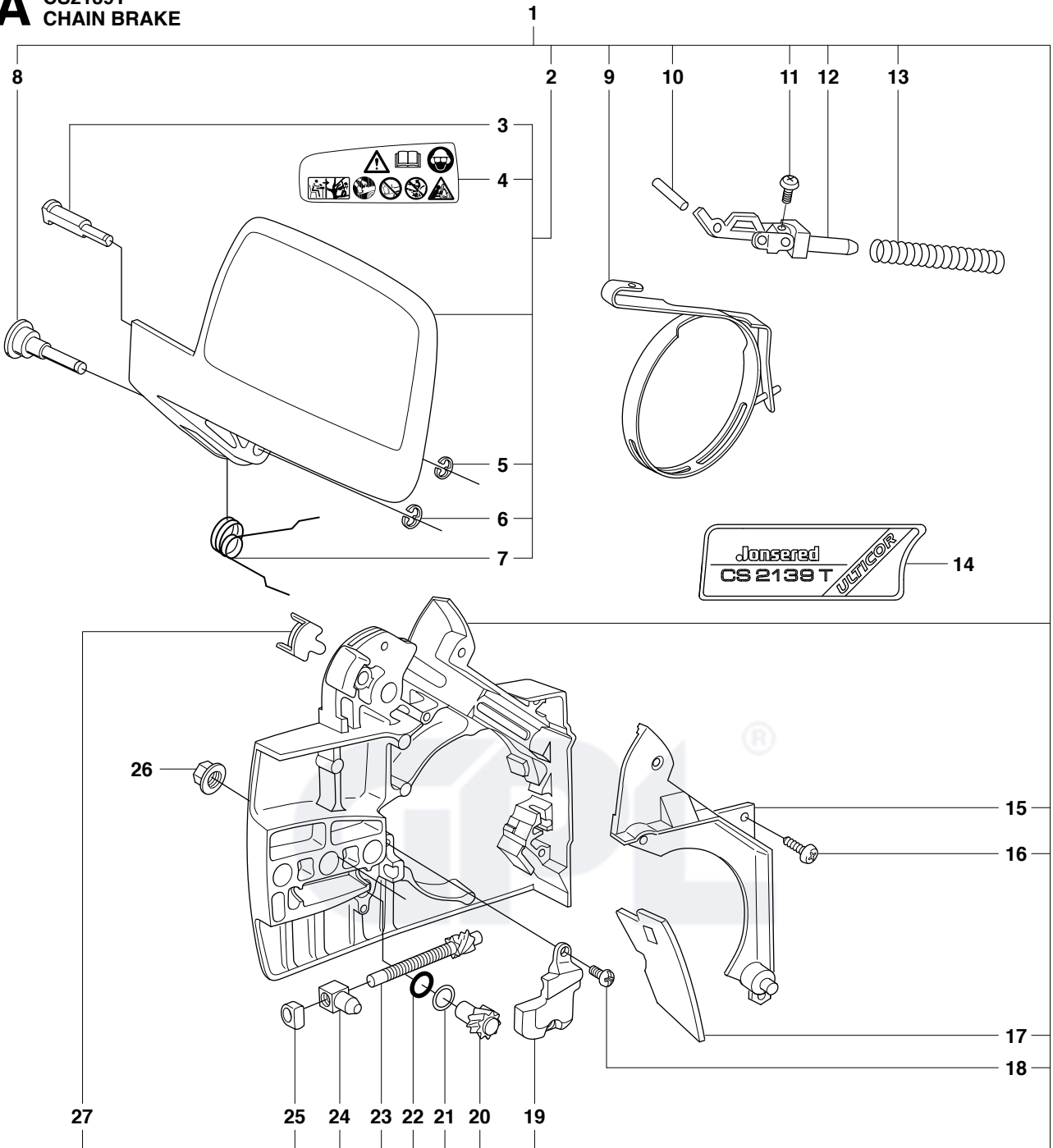
Reserve onderdelen

Repuestos

Reservdelar

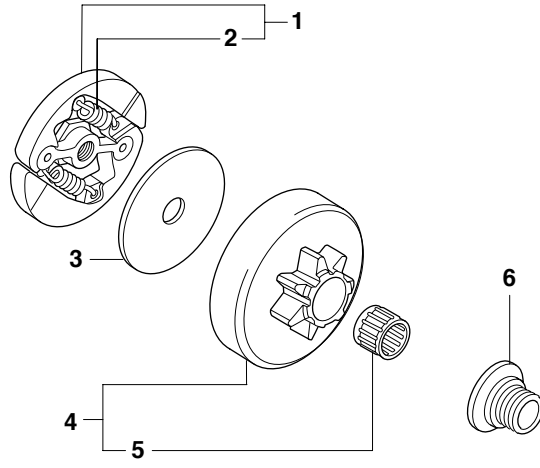
GPL®

A CS2139T
CHAIN BRAKE



Page A		CS2139T		CHAIN BRAKE	
Position	Article	Quantity	Notes	Kit	
1	503 93 52-06	1			
2	544 01 36-03	1		1	
3	503 85 46-01	1		1, 2	
4	544 92 71-01	1		1, 2	
5	735 31 08-20	1		1, 2	
6	735 31 10-20	1		1, 2	
7	537 09 28-02	1		1, 2	
8	503 81 71-01	1		1	
9	503 80 97-03	1		1	
10	720 12 33-00	1		1	
11	503 21 28-10	1		1	
12	501 87 53-01	1		1	
13	503 90 83-01	1		1	
14	505 43 49-01	1			
15	503 80 52-02	1		1	
16	503 21 28-10	4		1	
17	503 85 51-01	1		1	
18	503 21 28-10	2		1	
19	537 39 69-01	1		1	
20	537 07 94-02	1		1	
21	503 23 00-63	1		1	
22	740 48 07-02	1		1	
23	537 39 70-01	1		1	
24	501 45 41-02	1		1	
25	537 01 74-01	1		1	
26	503 22 00-01	1			
27	503 86 20-01	1		1	

B CS2139T
CLUTCH

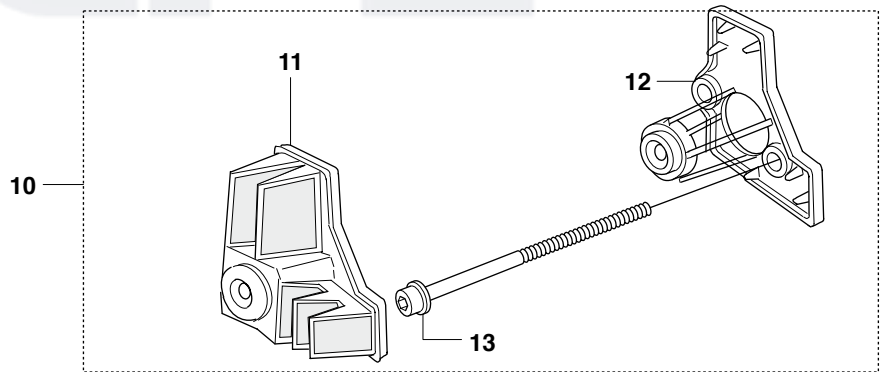
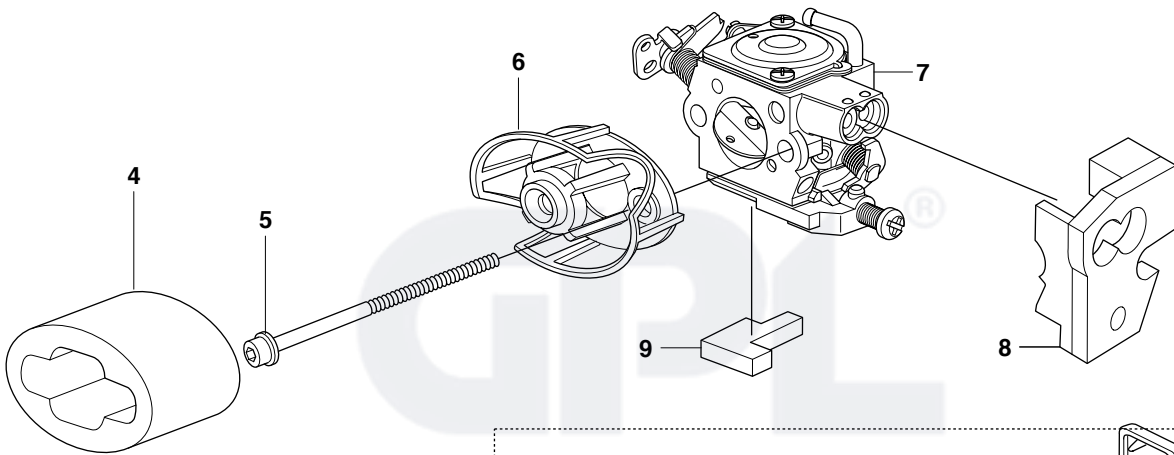
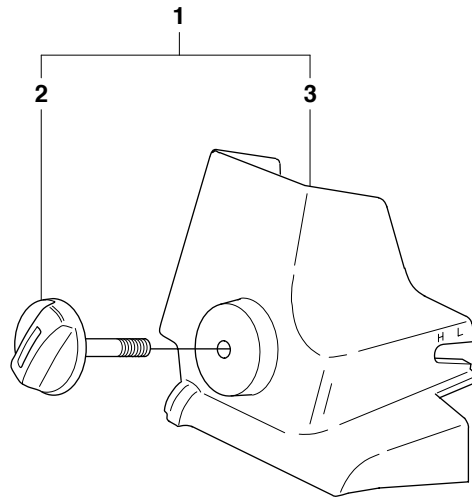


GPL[®]

Page B		CS2139T		CLUTCH	
Position	Article	Quantity	Notes	Kit	
1	503 71 40-03	1			
2	503 74 95-01	1		1	
3	503 52 12-04	1			
4	503 82 22-71	1	3/8"		
5	503 25 46-01	1		4	
6	503 78 92-01	1	3/8"		



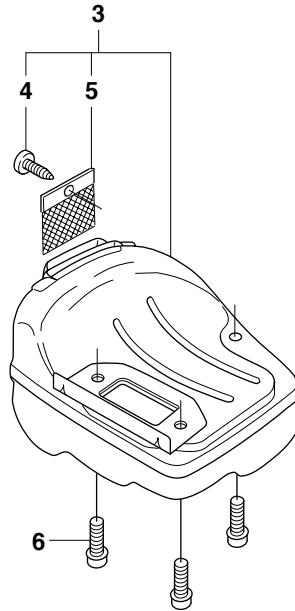
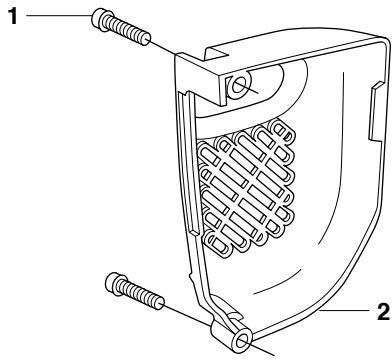
C CS2139T
CARBURETTOR & AIR FILTER/FILTER COVER



Position	Article	Quantity	Notes	Kit
1	503 79 26-05	1		
2	537 21 32-03	1		1
3	503 82 09-05	1		1
4	503 84 49-01	1		
5	503 21 75-50	2		
6	503 82 29-01	1		
7	544 16 09-01	1	Zama C1Q-EL33A	
8	537 33 28-02	1		
9	537 24 19-02	1		
10	537 02 15-02	2	80μ	
10	537 02 15-01	2	52μ	
11	503 96 72-02	1	80μ	10
11	503 96 72-01	1	52μ	10
12	503 96 71-02	1	80μ	10
12	503 96 71-01	1	52μ	10
13	503 21 75-50	2		10



D CS2139T
MUFFLER & MUFFLER COVER

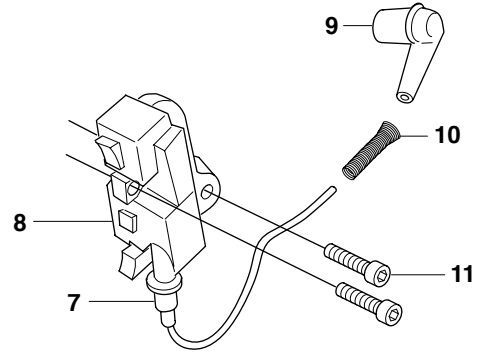
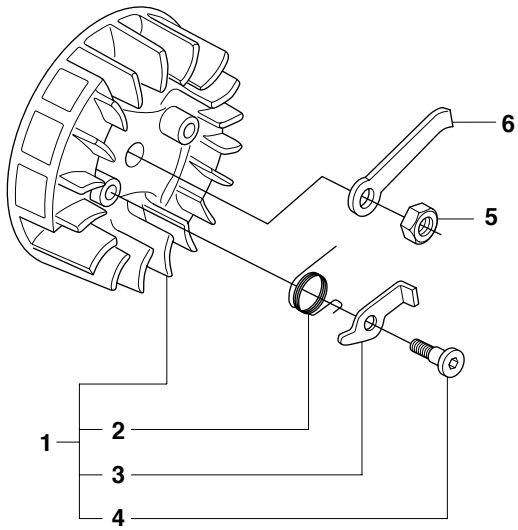


GPL®

Page D		CS2139T		MUFFLER & MUFFLER COVER	
Position	Article	Quantity	Notes	Kit	
1	503 21 58-25	2			
2	537 41 62-01	1			
3	503 93 03-03	1			
4	724 12 87-59	1		3	
5	503 82 17-01	1		3	
6	503 20 02-16	3			



E CS2139T
IGNITION SYSTEM

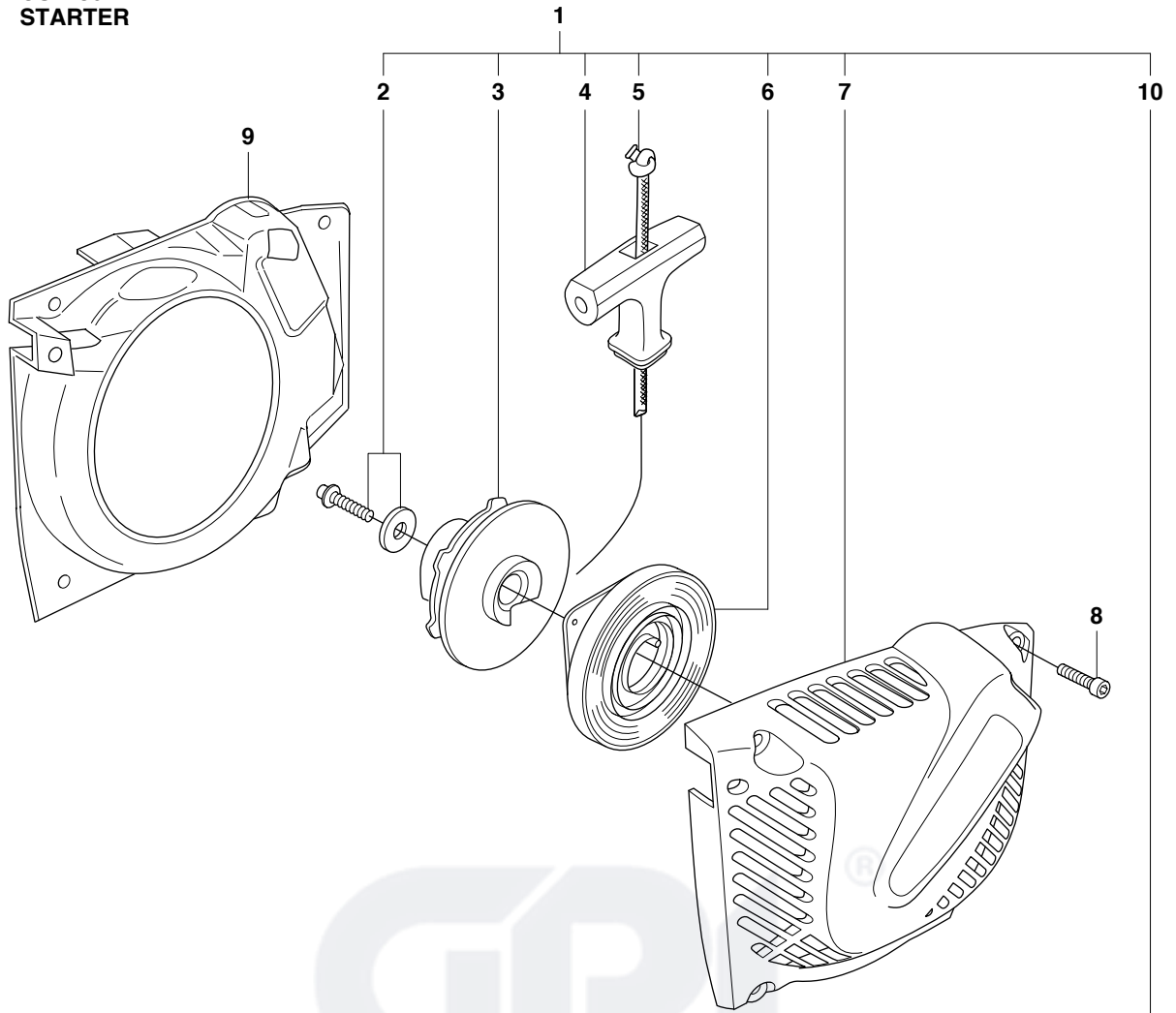


GPL®

Page E		CS2139T		IGNITION SYSTEM	
Position	Article	Quantity	Notes	Kit	
1	537 23 39-01	1			
2	503 81 81-01	2		1	
3	503 71 02-03	2		1	
4	501 81 99-05	2		1	
5	503 22 10-11	1			
6	503 90 98-02	1			
7	505 54 84-01	1			
8	544 04 70-01	1			
9	501 48 54-02	1			
10	505 54 93-01	1			
11	503 20 25-16	2			



F CS2139T
STARTER



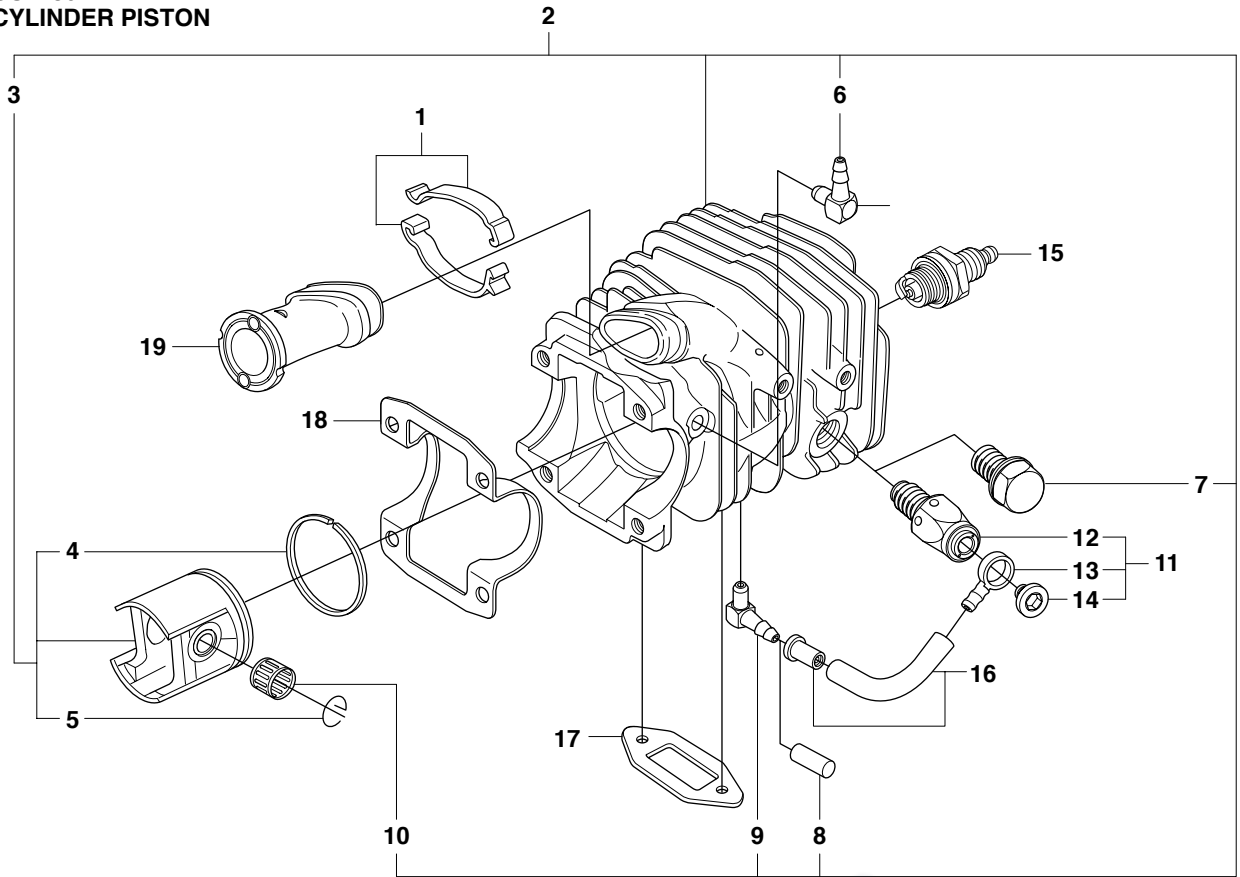
GP

.Jonsered

Page F		CS2139T		STARTER	
Position	Article	Quantity	Notes	Kit	
1	537 40 46-02	1			
2	503 21 77-16	1		1	
3	537 20 19-01	1		1	
4	503 99 77-01	1		1	
5	505 30 51-25	1		1	
6	501 76 31-01	1		1	
7	537 40 45-01	1		1	
8	503 21 58-25	4			
9	503 82 25-03	1			
10	537 42 93-01	1		1	



G CS2139T
CYLINDER PISTON

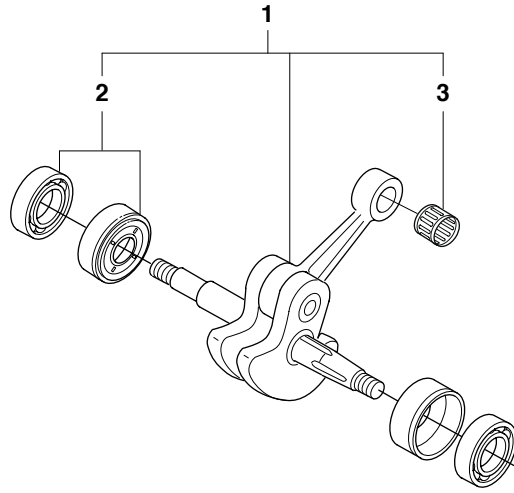


GPL®

Page G		CS2139T		CYLINDER PISTON	
Position	Article	Quantity	Notes	Kit	
1	537 16 73-01	1			
2	537 13 20-01	1			
3	537 13 27-02	1		2	
4	503 28 90-04	1		3	
5	737 44 10-00	1		3	
6	504 34 00-04	1		2	
7	503 55 22-01	1		2	
8	537 18 00-01	1		2	
9	504 34 00-04	1		2	
10	503 41 41-01	1		2	
11	537 12 68-06	1			
12	537 35 94-01	1		11	
13	537 13 70-01	1		11	
14	537 22 29-01	1		11	
15	503 23 51-08	1	RCJ-7Y		
16	537 11 32-03	1			
17	503 82 11-01	1			
18	537 10 04-01	1			
19	537 15 77-01	1			



H CS2139T
CRANK SHAFT

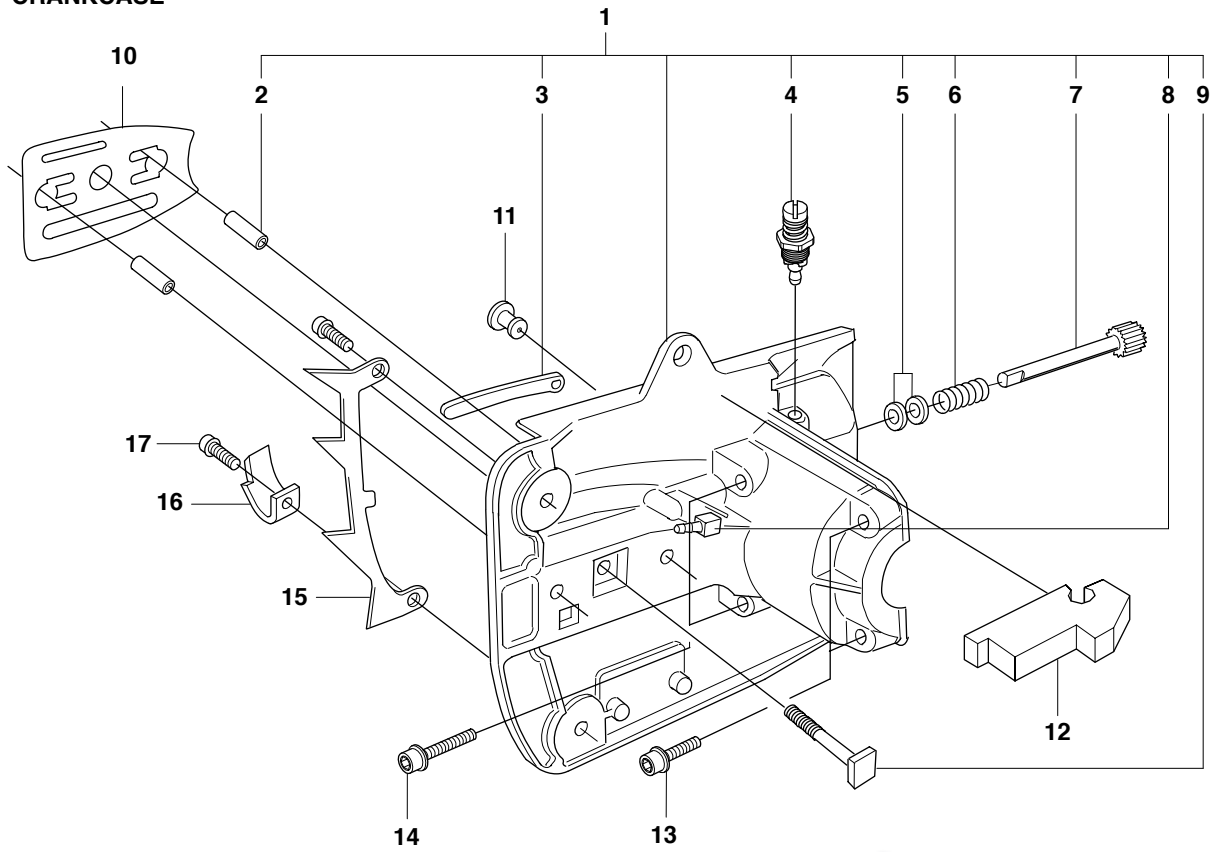


GPL®

Page H		CS2139T		CRANK SHAFT	
Position	Article	Quantity	Notes	Kit	
1	537 37 67-02	1			
2	503 93 45-02	2		1	
3	503 41 41-01	1		1	



J CS2139T
CRANKCASE

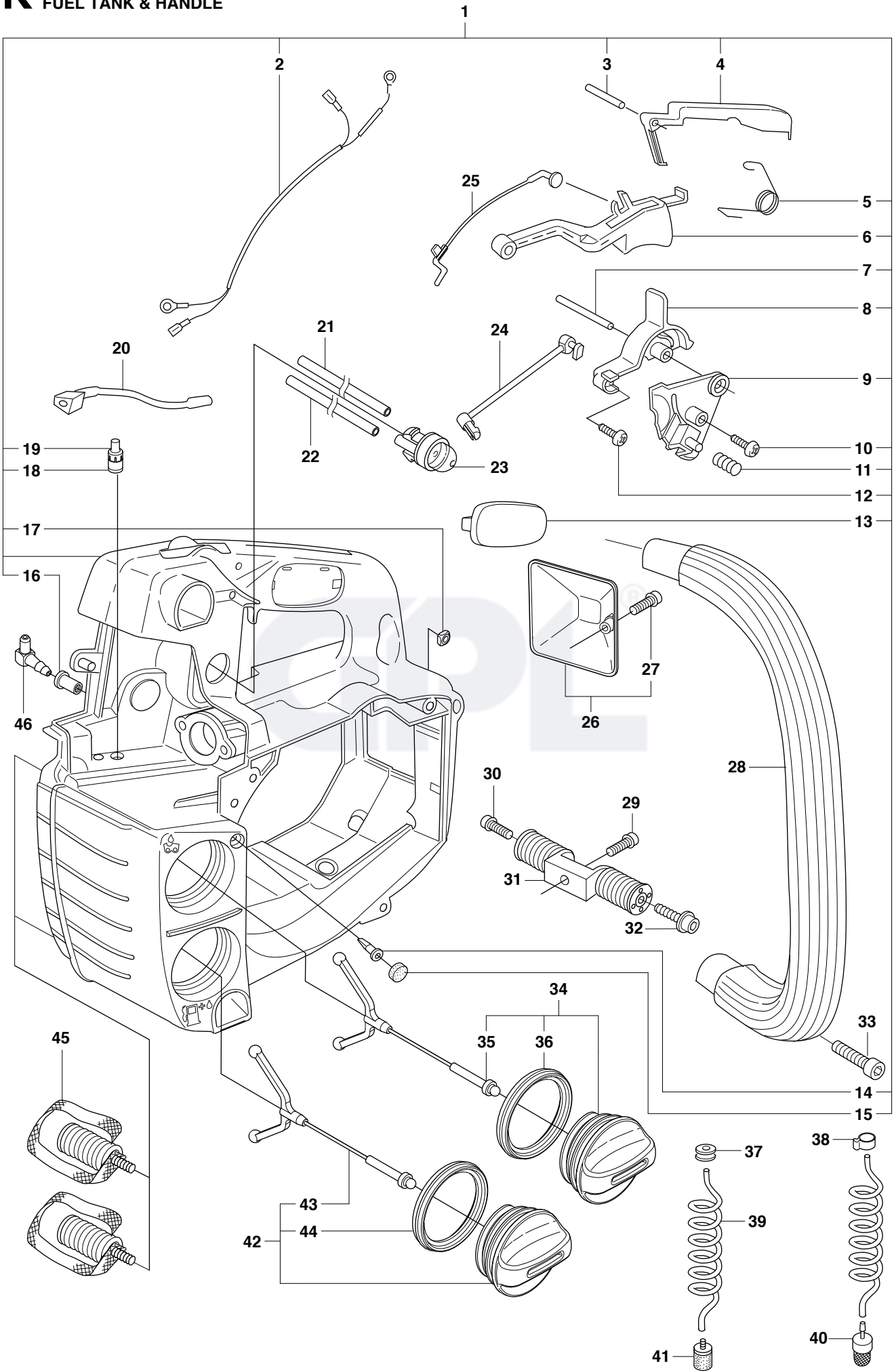


GPL®

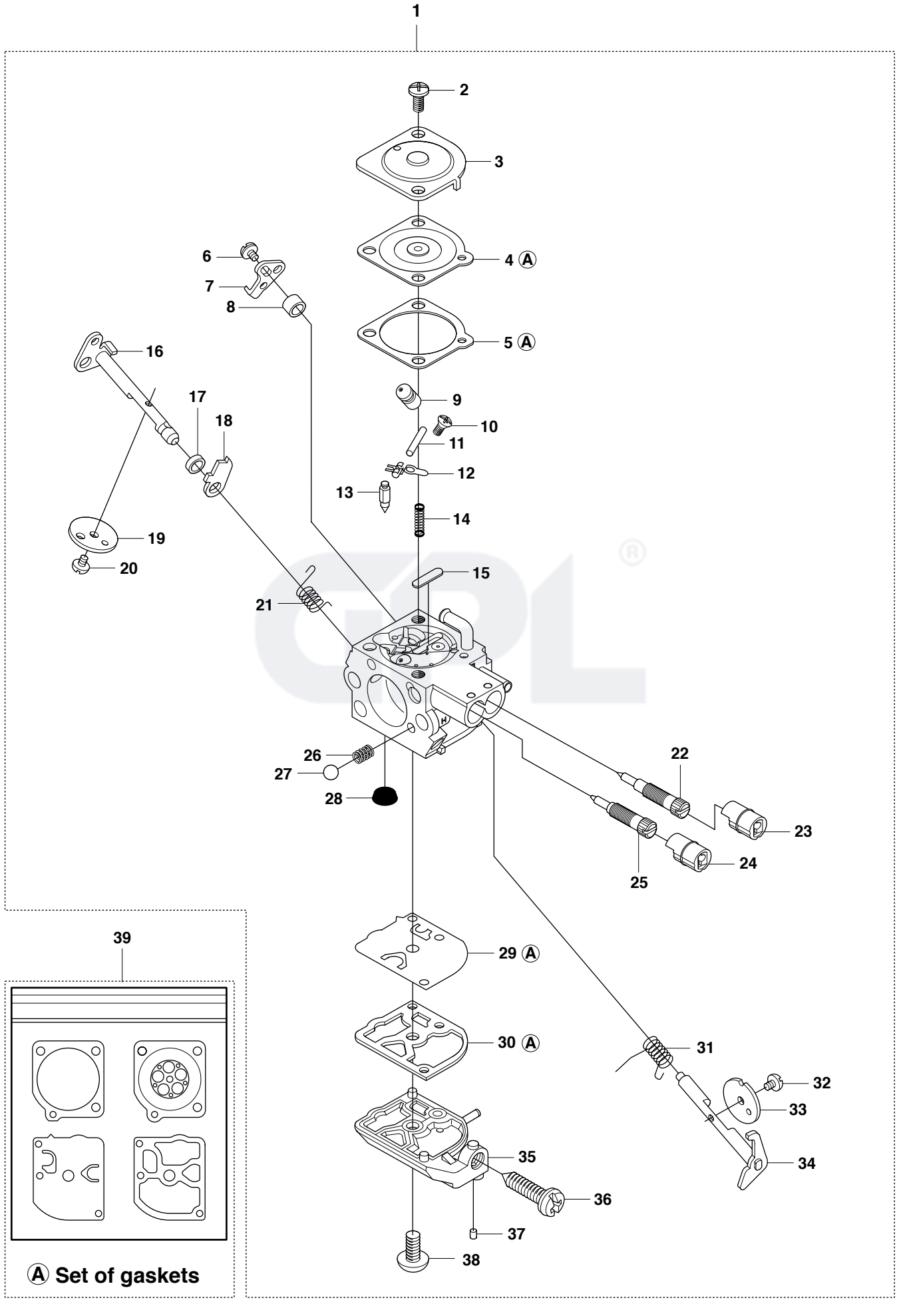
Page J		CS2139T		CRANKCASE	
Position	Article	Quantity	Notes	Kit	
1	503 79 22-06	1			
2	501 62 33-01	2		1	
3	503 98 62-01	1		1	
4	537 39 60-01	1		1	
5	503 23 00-16	2		1	
6	503 18 49-01	1		1	
7	503 80 83-03	1		1	
8	537 04 61-01	1		1	
9	501 45 43-01	1		1	
10	544 33 99-01	1			
11	503 72 31-01	1			
12	503 84 27-01	1			
13	503 20 02-25	2			
14	503 20 02-40	2			
15	503 81 73-01	1			
16	501 68 68-01	1			
17	503 20 02-16	2			



K CS2139T
FUEL TANK & HANDLE

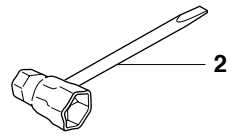
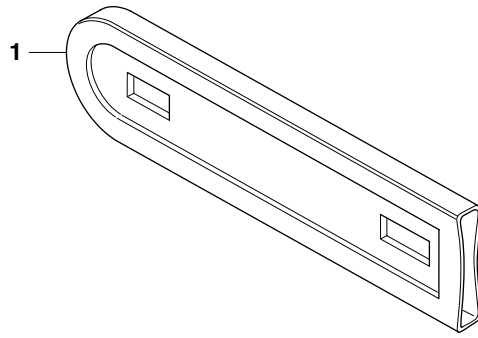


Position	Article	Quantity	Notes	Kit
1	544 11 09-05	1		
2	503 96 32-01	1		1
3	720 12 40-20	1		1
4	503 81 33-01	1		1
5	503 85 13-01	1		1
6	503 81 32-02	1		1
7	720 12 46-20	1		1
8	503 81 34-02	1		1
9	503 81 35-01	1		1
10	503 21 28-10	1		1
11	503 92 96-01	1		1
12	729 56 55-01	1		1
13	544 04 20-02	2		1
14	530 02 61-19	1		1
15	503 98 13-01	1		1
16	537 05 28-01	1		1
17	503 22 65-04	1		1
18	537 35 95-01	1		1
19	537 13 97-01	1		1
20	503 84 26-01	1		
21	537 04 24-08	1		
22	537 04 24-09	1		
23	503 93 66-01	1		
24	503 82 27-02	1		
25	503 82 28-01	1		
26	537 39 05-02	1		
27	503 21 56-01	1		26
28	503 81 69-02	1		
29	503 20 02-16	1		
30	503 20 02-16	1		
31	503 82 33-02	1		
32	503 20 02-16	1		
33	503 21 88-30	2		
34	537 21 52-04	1		
35	503 57 89-01	1		34
36	537 21 50-01	1		34
37	503 73 58-01	1		
38	537 05 11-01	1		
39	544 32 50-02	2		
40	503 96 75-01	1		
41	503 44 32-01	1		
42	537 21 52-01	1		
43	503 57 89-01	1		42
44	537 21 50-01	1		42
45	503 85 38-04	2		
46	537 19 23-01	1		



Page L		CS2139T		CARBURETTOR	
Position	Article	Quantity	Notes	Kit	
1	544 16 09-01	1	Zama C1Q-EL33A		
2	503 48 05-01	2			1
3	503 97 43-01	1			1
4	537 04 89-01	1			1, 39
5	537 02 04-01	1			1, 39
6	503 47 90-01	1			1
7	537 27 41-01	1			1
8	503 47 89-01	1			1
9	537 41 35-01	1			1
10	503 48 01-01	1			1
11	503 48 00-01	1			1
12	503 66 59-01	1			1
13	503 47 97-01	1			1
14	537 27 34-01	1			1
15	503 53 56-01	1			1
16	537 27 38-01	1			1
17	537 27 44-01	1			1
18	537 27 43-01	1			1
19	537 26 68-01	1			1
20	503 48 18-01	1			1
21	537 13 49-01	1			1
22	537 41 69-01	1	L		1
23	537 41 70-01	1			1
24	537 41 70-01	1			1
25	537 38 75-01	1	H		1
26	537 01 26-01	1			1
27	537 01 25-01	1			1
28	503 53 57-01	1			1
29	537 02 00-01	1			1, 39
30	537 02 01-01	1			1, 39
31	537 01 97-01	1			1
32	503 48 18-01	1			1
33	537 38 83-01	1			1
34	544 11 90-01	1			1
35	537 27 33-01	1			1
36	537 27 37-01	1			1
37	503 48 11-01	1			1
38	503 47 96-01	1			1
39	531 00 45-52	1	A = Set of gaskets		

M CS2139T
ACCESSORIES



GPL®

Page M		CS2139T		ACCESSORIES	
Position	Article	Quantity	Notes	Kit	
1	501 83 44-02	1			
2	501 69 17-01	1			

