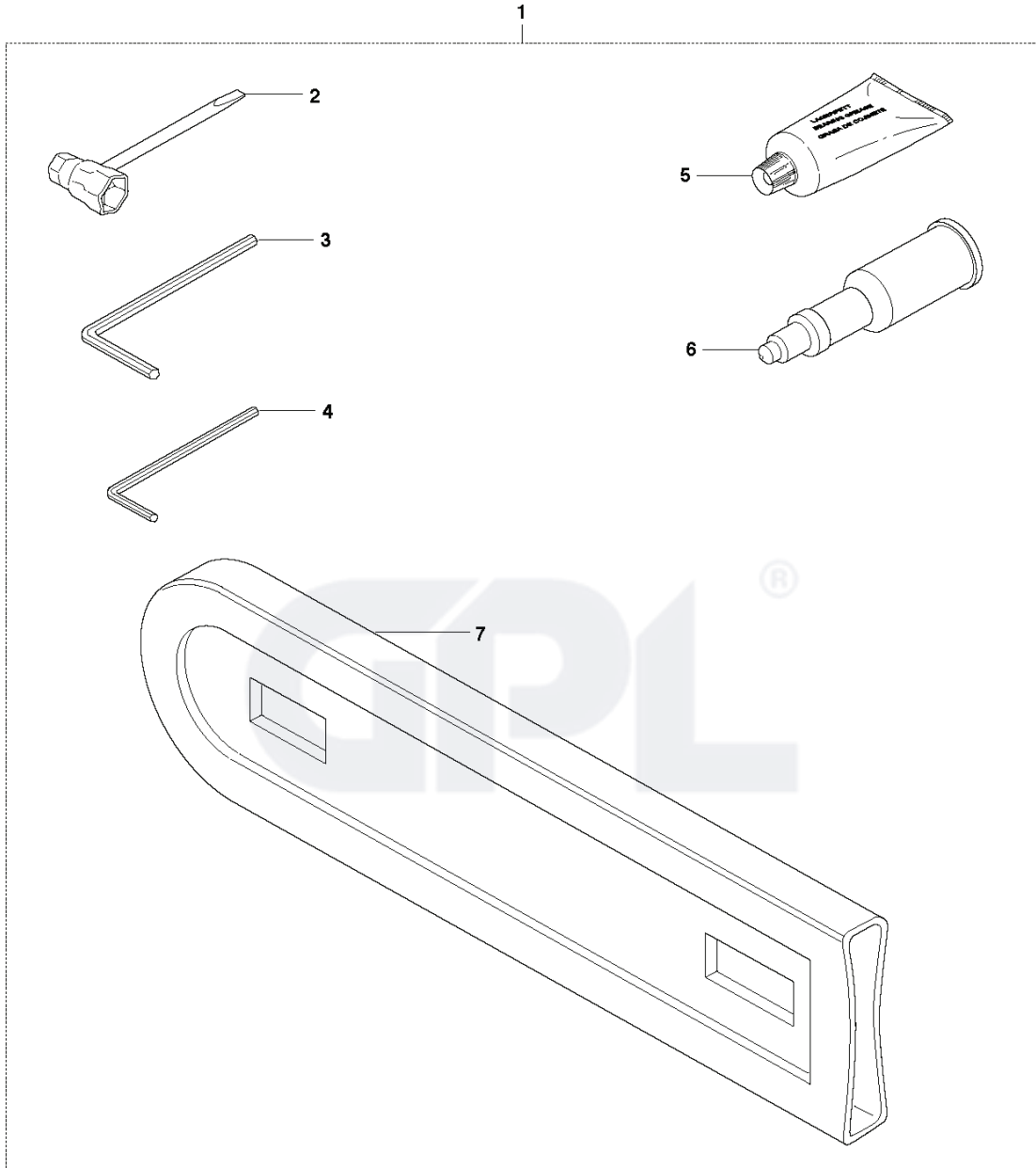


CS2156, 2010-02

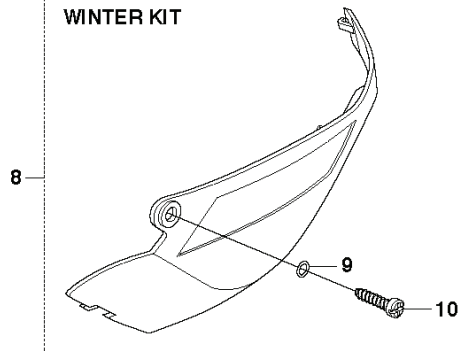
GPL[®]

SPARE PARTS LIST

P CS1256
ACCESSORIES



WINTER KIT



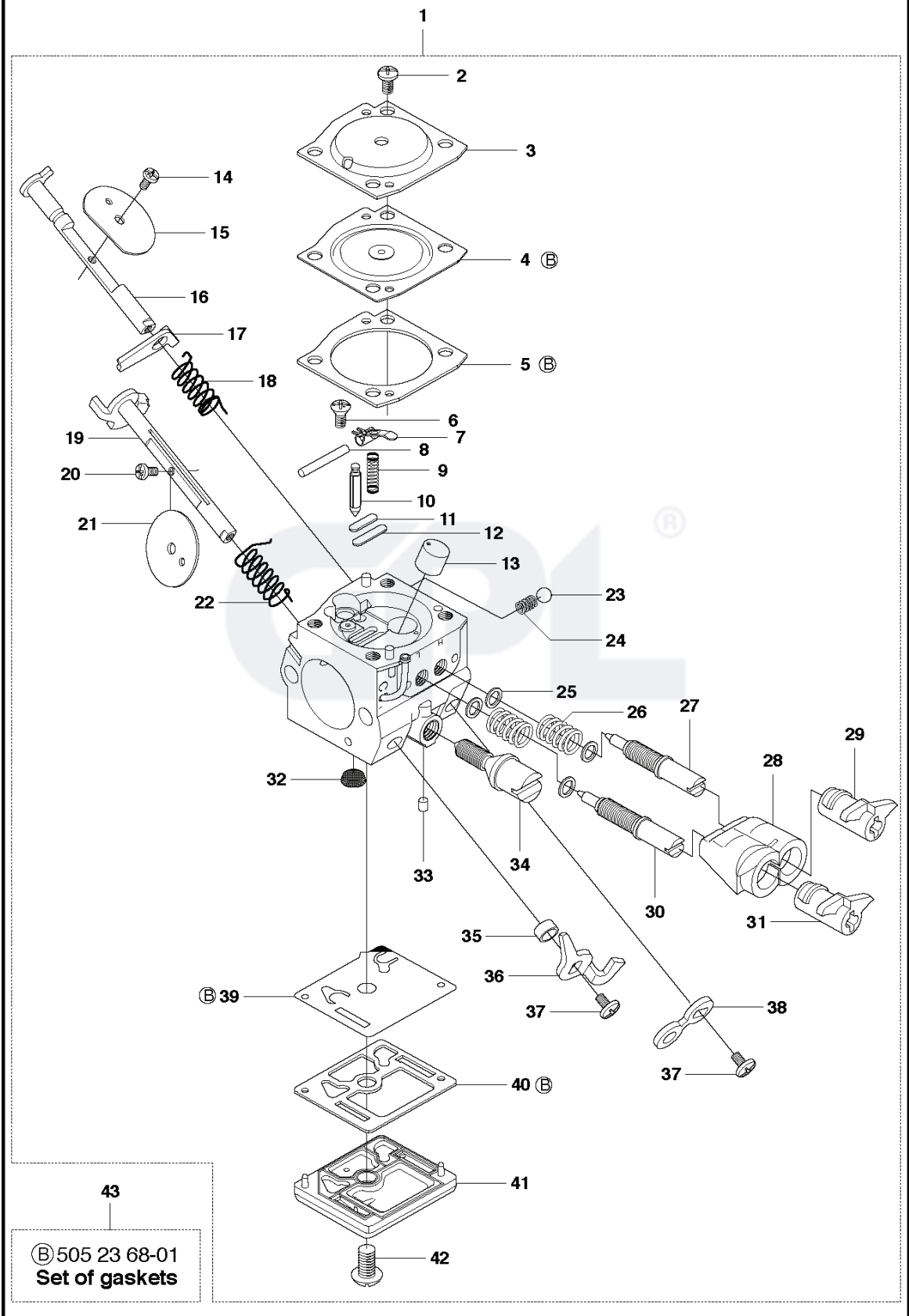
REF.	PART NO.	DESCRIPTION	REMARK	QTY.	KIT
1	503558501	TOOL		1	
2	501691701	COMBINATION WRENCH		1	1
3	503558602	SPANNER		1	1
4	503558601	SPANNER		1	1
5	503621201	GREASE		1	1
6	501911401	GREASE GUN		1	1
7	501834402	BAR COVER	"13"-16"	1	1
7	501834405	BAR COVER	"18"-22"	1	1
8	537171601	WINTER COVER	WINTER KIT	1	
9	740420100	O-RING		1	8
10	503217016	SCREW CCRPANT		1	8



N CS2156
CARBURETTOR

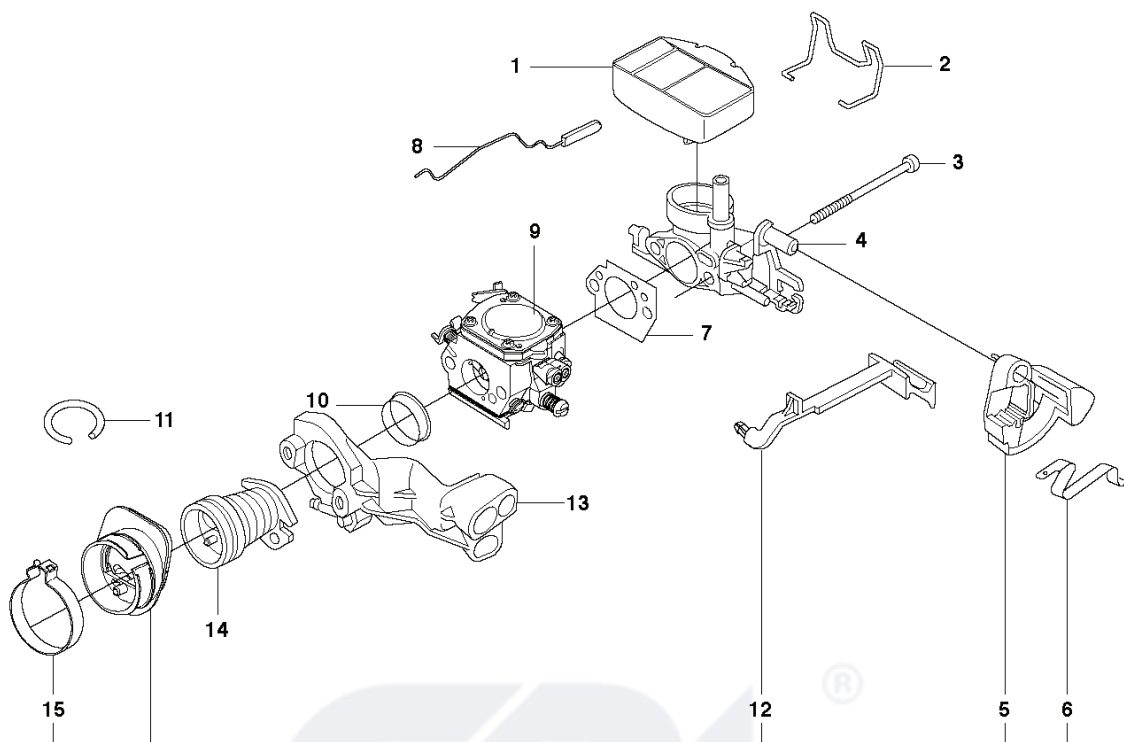


ZAMA C3-EL42



REF.	PART NO.	DESCRIPTION	REMARK	QTY.	KIT
1	505203001	CARBURETTOR		1	
2	503480501	SCREW		4	1
3	537176001	COVER		1	1
4	537175901	DIAPHRAGM		1	1.43
5	505223901	GASKET		1	1.43
6	544082101	SCREW		1	1
7	537176401	LEVER		1	1
8	503480001	PIN RETAINING SCREW		1	1
9	537176301	SPRING		1	1
10	537176201	VALVE		1	1
11	537177801	PLUG		1	1
12	503535601	PLUG WELCH		1	1
13	505236701	NOZZLE ASSY		1	1
14	503523601	SCREW		1	1
15	537177201	VALVE		1	1
16	537177101	SHAFT ASSY		1	1
17	544056701	LEVER		1	1
18	537176601	SPRING		1	1
19	537175701	SHAFT ASSY		1	1
20	503481801	SCREW		1	1
21	537177001	VALVE		1	1
22	537176101	SPRING		1	1
23	537012501	BALL		1	1
24	537012601	SPRING		2	1
25	503903101	WASHER		4	1
26	503480801	SPRING		2	1
27	537178501	SCREW		1	1
28	503903401	RETAINER		1	1
29	503903301	LIMITER CAP		1	1
30	537178601	SCREW		1	1
31	503903201	LIMITER CAP		1	1
32	503535701	STRAINER		1	1
33	503481101	PIECE		1	1
34	504027301	SCREW		1	1
35	503481901	COLLAR		1	1
36	537176901	LEVER		1	1
37	503479001	SCREW		2	1
38	537177501	LEVER		1	1
39	537380201	DIAPHRAGM		1	1.43
40	503616601	GASKET		1	1.43
41	537176801	COVER		1	1
42	503479601	SCREW		1	1
43	505236801	KIT	B = Set of gaskets	1	

G CS2156
CARBURETTOR & AIR FILTER

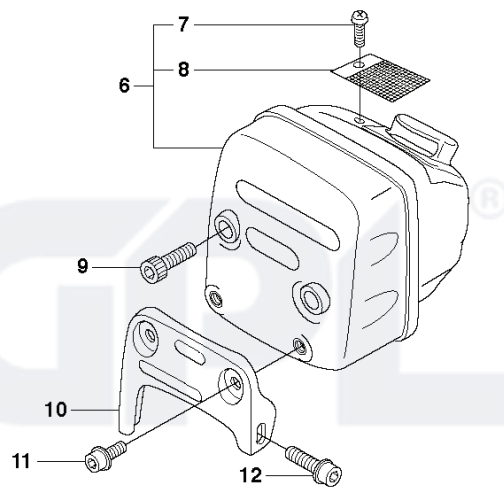
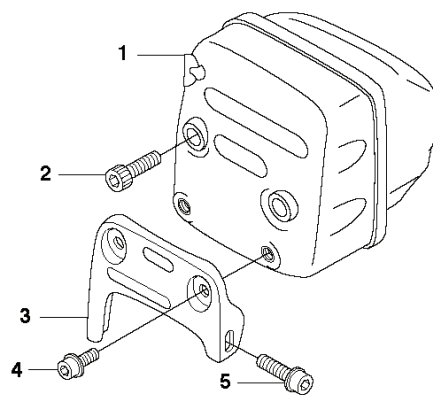


GPL

REF.	PART NO.	DESCRIPTION	REMARK	QTY.	KIT
1	537010901	AIR FILTER	80μ	1	
1	537010902	AIR FILTER	44μ	1	
1	537010903	AIR FILTER	FELT	1	
2	503962701	CLAMP		1	
3	725534155	SCREW IHSCM		2	
4	544011002	FILTER HOLDER		1	
5	503869502	STOP SWITCH		1	16
6	503869702	SPRING		1	16
7	503967601	GASKET		1	
8	503938702	WIRE		1	
9	505203001	CARBURETTOR		1	
10	504064401	SUPPORT RING		1	
11	544325101	HOSE		1	
12	503922501	CHOKE CONTROL		1	16
13	503928502	FLANGE		1	
14	503928702	BELLOWS		1	
15	537438801	CLIP		1	16
16	537251302	INSULATION WALL		1	



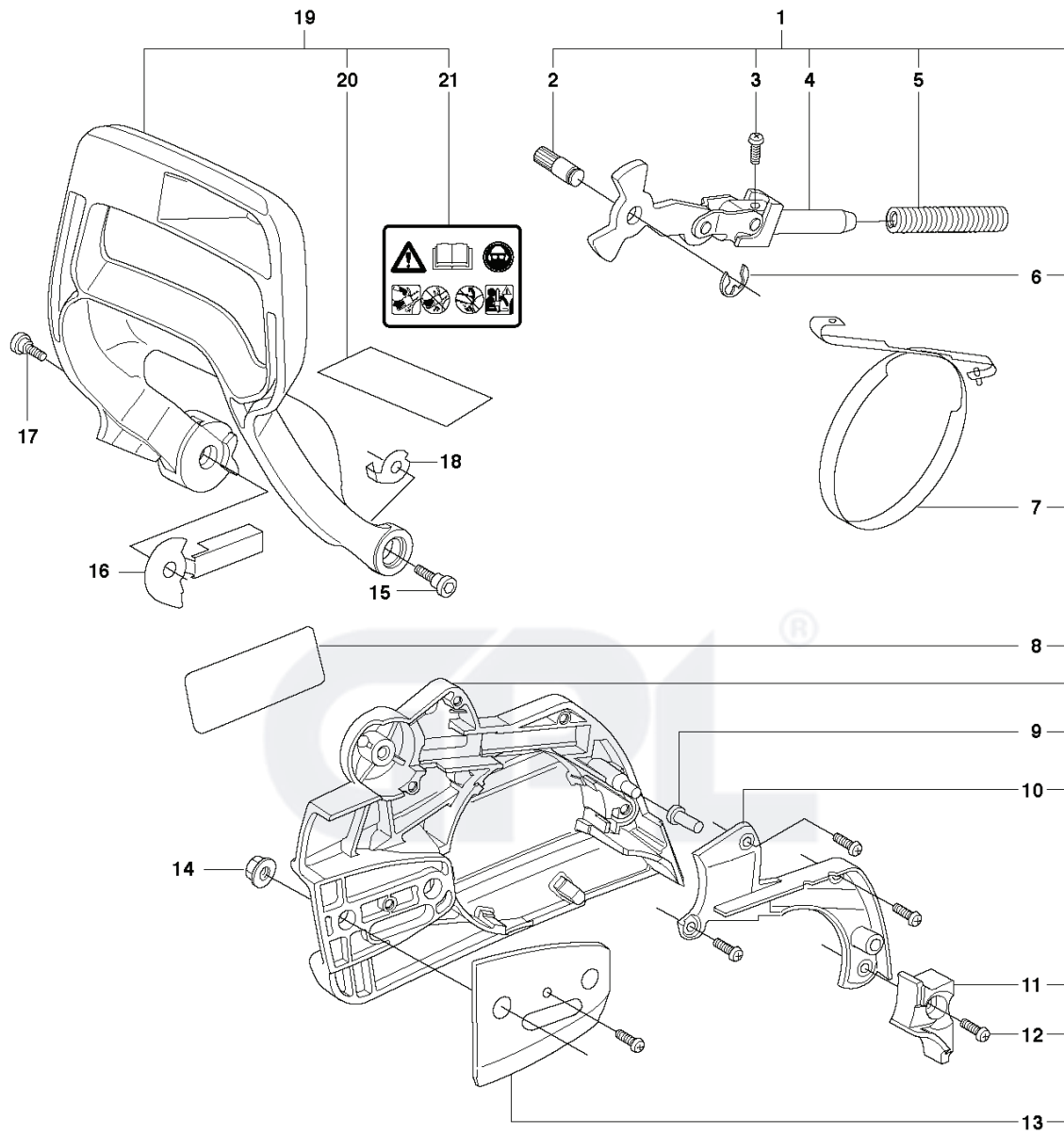
F CS2156
MUFFLER



REF.	PART NO.	DESCRIPTION	REMARK	QTY.	KIT
1	504706901	MUFFLER ASSY	EU/Tube	1	
2	725536855	SCREW IHSCM		2	
3	503917402	SUPPORT LEG		1	
4	503200710	SCREW IHSCFM		2	
5	503200776	SCREW IHSCFM		1	
6	504706801	MUFFLER CAT	E-tech	1	
7	724128759	SCREW CRPANM		1	6
8	504785801	SPARK ARRESTER SCREEN		1	6
9	725536855	SCREW IHSCM		2	
10	503917402	SUPPORT LEG		1	
11	503200710	SCREW IHSCFM		2	
12	503200776	SCREW IHSCFM		1	

GPL®

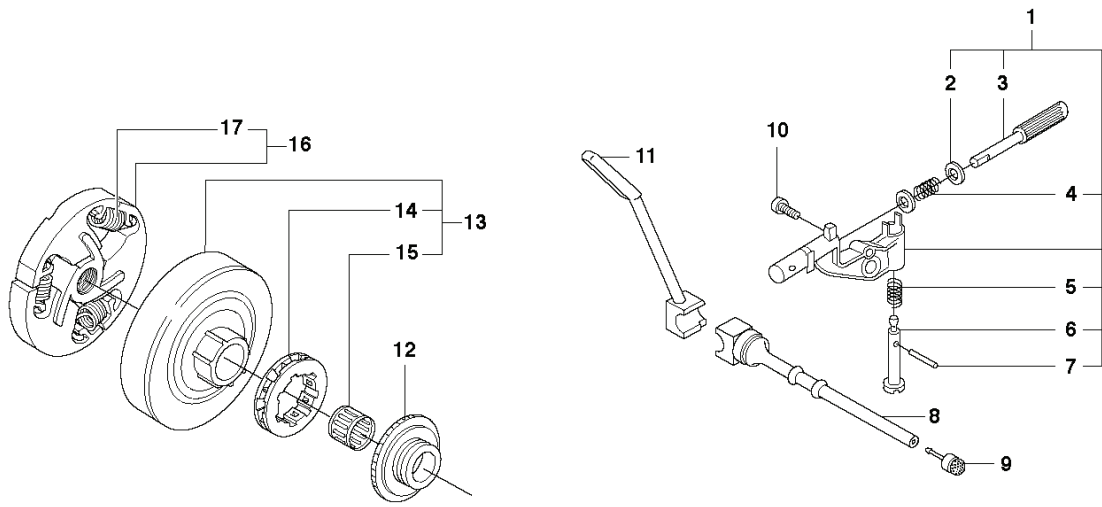
A CS2156
CHAIN BRAKE



REF.	PART NO.	DESCRIPTION	REMARK	QTY.	KIT
1	537107901	CHAIN BRAKE ASSY		1	
2	503892901	PIN		1	1
3	503217010	SCREW CCRPANT		1	1
4	503890802	KNEE JOINT ASSY		1	1
5	503465901	BRAKE SPRING		1	1
6	735310820	E-CLIP		1	1
7	537043001	BRAKE BAND ASSY		1	1
8	537006302	LABEL		1	1
9	503855201	GUIDE BUSHING		1	1
10	537108002	HUB CAP		1	1
11	537089001	WEAR PROTECTION		1	1
12	503217010	SCREW CCRPANT		5	1
13	503856601	COVER PLATE		1	1
14	503220001	HEXAGON NUT		2	
15	503893003	SCREW		1	
16	537029901	WEAR PROTECTION		1	
17	503893003	SCREW		1	
18	503230071	WASHER		1	
19	537104802	HAND GUARD		1	
20	537152701	HEAT PROTECTOR		1	19
21	503987401	LABEL		1	19



B CS2156
CLUTCH & OIL PUMP

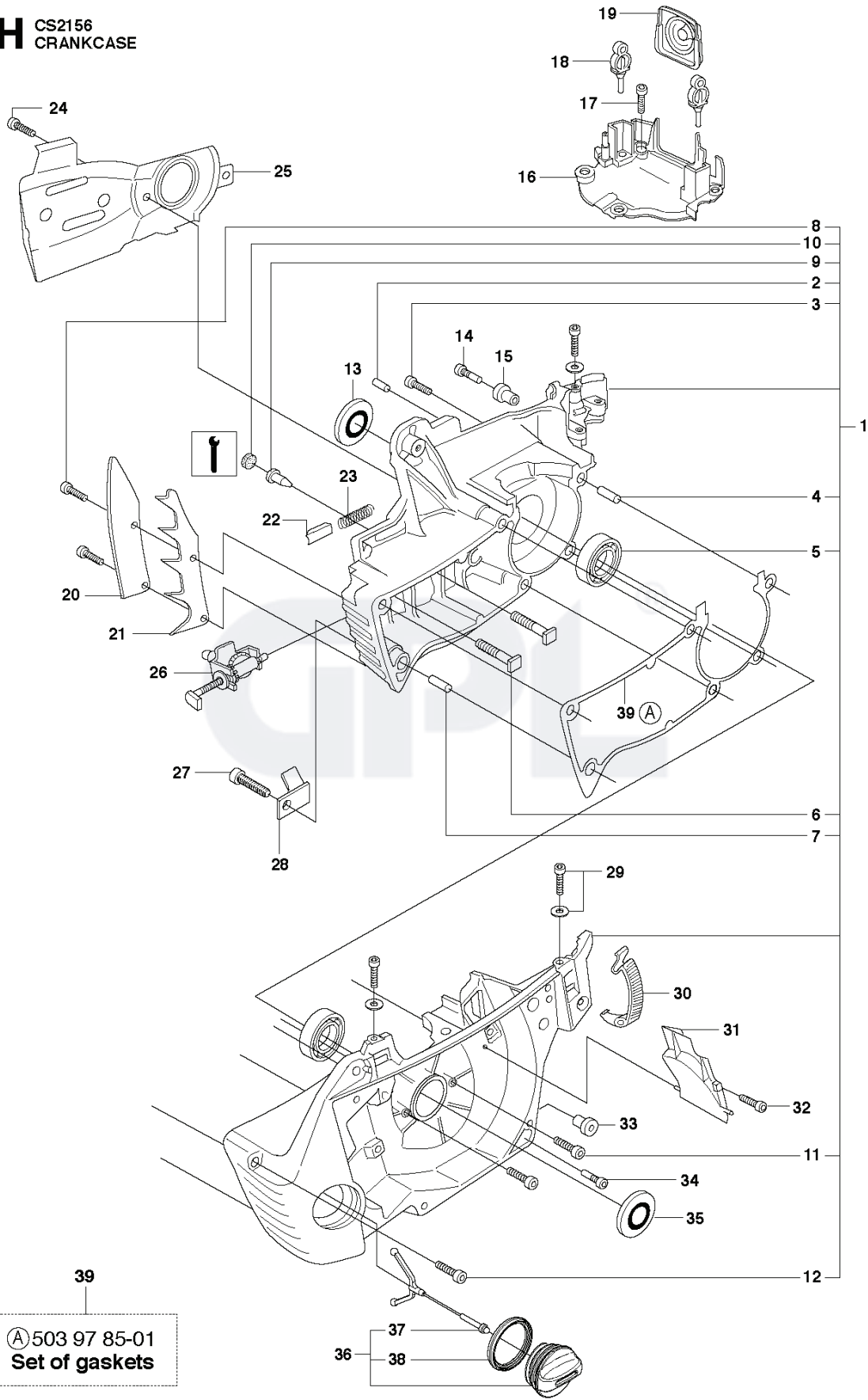


GPL®

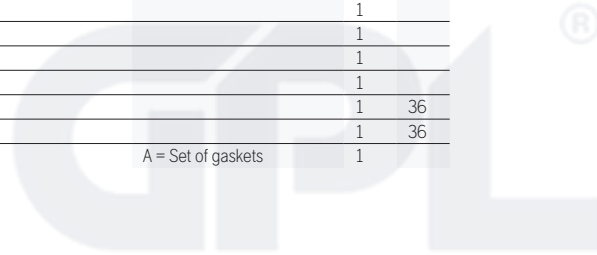
REF.	PART NO.	DESCRIPTION	REMARK	QTY.	KIT
1	544180104	OIL PUMP ASSY		1	
2	503230060	WASHER		2	1
3	537069302	PUMP PISTON		1	1
4	503891601	SPRING		1	1
5	503891501	SPRING		1	1
6	537027101	ADJUSTER		1	1
7	721116430	GROOVED PIN		1	1
8	537101101	OIL HOSE		1	
9	503967501	OIL PLUMMET		1	
10	503217412	SCREW IHSCT		1	
11	537091801	OIL PRESSURE HOSE		1	
12	503912703	PUMP PINION	.325x7T	1	
12	503912903	PUMP PINION	"3/8"x7T"	1	
13	503980002	CLUTCH DRUM	.325x7T	1	
13	503934871	CLUTCH DRUM ASSY	"3/8"x7T"	1	
14	501457402	RIM	.325x7T	1	13
14	501598002	RIM	"3/8"x7T"	1	13
15	503255201	NEEDLE BEARING		1	13
16	537103403	CLUTCH ASSY		1	
17	537166901	CLUTCH SPRING		1	16



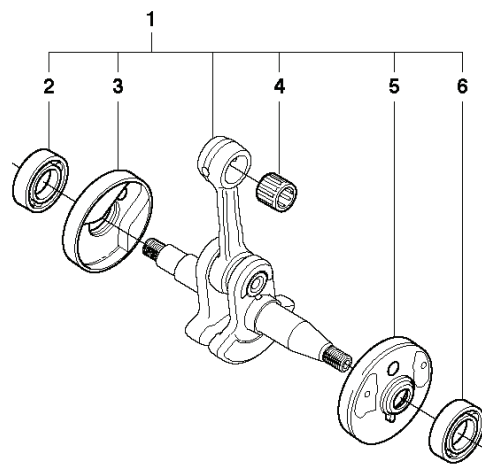
H CS2156
CRANKCASE



REF.	PART NO.	DESCRIPTION	REMARK	QTY.	KIT
1	503925306	CRANKCASE ASSY		1	
2	721120730	GROOVED PIN		1	1
3	503200832	SCREW IHSCM		6	1
4	503905601	GUIDE BUSHING		1	1
5	738220225	BALL BEARING		2	1
6	503875401	BAR BOLT		2	1
7	503905601	GUIDE BUSHING		1	1
8	503200776	SCREW IHSCFM		2	1
9	530026119	CHECK VALVE		1	1
10	537403501	FILTER		1	1
11	503202516	SCREW IHSCM		2	1
12	503200220	SCREW IHSCFM		1	1
13	505275719	SEALING RING		1	
14	503215101	SCREW IHST		1	
15	503869201	BUSHING		1	
16	503927904	CARBURETTOR		1	
17	503217512	SCREW IHSCFT		4	
18	503869301	SUPPORT		2	
19	537146501	BELLOWS		1	
20	537021801	BUMPER		1	
21	503973801	SPIKE		1	
22	503892401	LOCK		1	
23	503436501	POSITION SPRING		1	
24	503217412	SCREW IHST		2	
25	503935401	CHAIN GUIDE PLATE		1	
26	537071201	CHAIN TENSIONER		1	
27	503218876	SCREW IHST		1	
28	537377901	CHAIN CATCHER		1	
29	503213901	SCREW IHST		3	
30	503894702	SNAP LOCKING		3	
31	503929001	JET		1	
32	503217412	SCREW IHST		1	
33	503869201	BUSHING		1	
34	503215101	SCREW IHST		1	
35	505275719	SEALING RING		1	
36	537215201	TANK CAP ASSY		1	
37	503578901	HOLDER		1	36
38	537215001	SEALING		1	36
39	503978501	GASKET KIT	A = Set of gaskets	1	



E CS2156
CRANK SHAFT

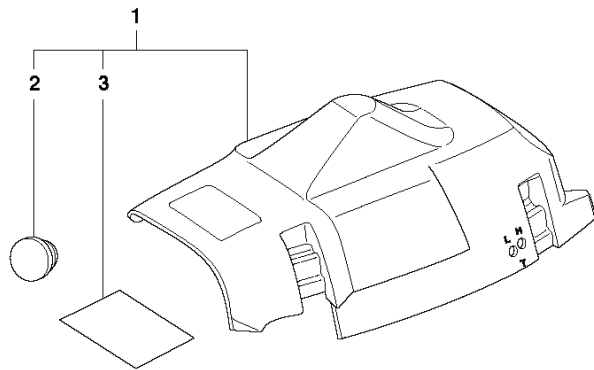


GPL®

REF.	PART NO.	DESCRIPTION	REMARK	QTY.	KIT
1	537219201	CRANKSHAFT ASSY		1	
2	738220225	BALL BEARING		1	1
3	503970002	CUP		1	1
4	503255601	NEEDLE BEARING		1	1
5	503970001	CUP		1	1
6	738220225	BALL BEARING		1	1

GPL®

C CS2156
CYLINDER COVER

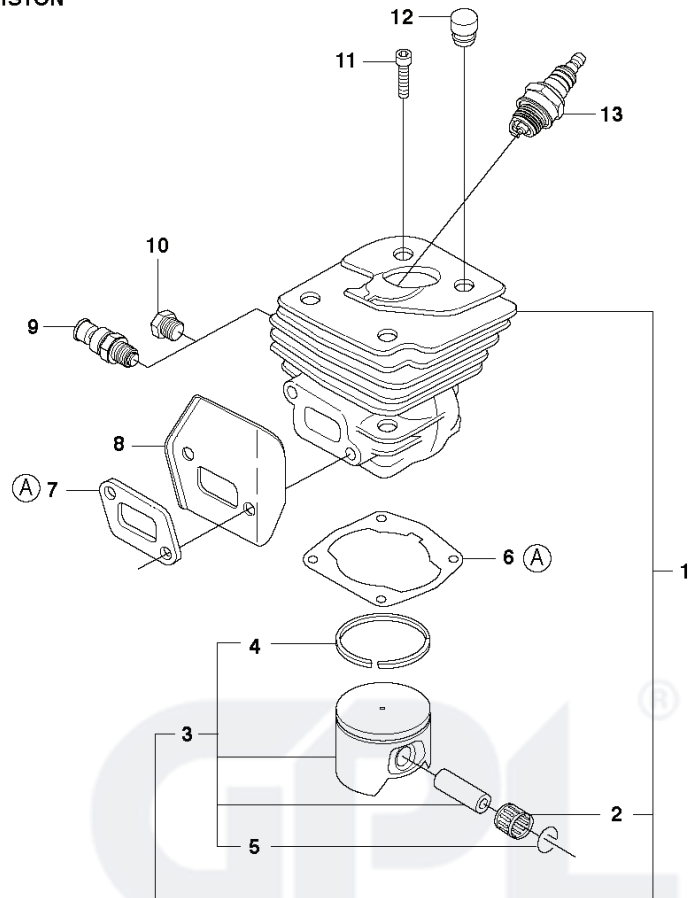


GPL®

REF.	PART NO.	DESCRIPTION	REMARK	QTY.	KIT
1	537010102	CYLINDER COVER		1	
2	503405901	WINTER PLUG		1	
3	537152701	HEAT PROTECTOR		1	1

GPL®

D CS2156
CYLINDER PISTON



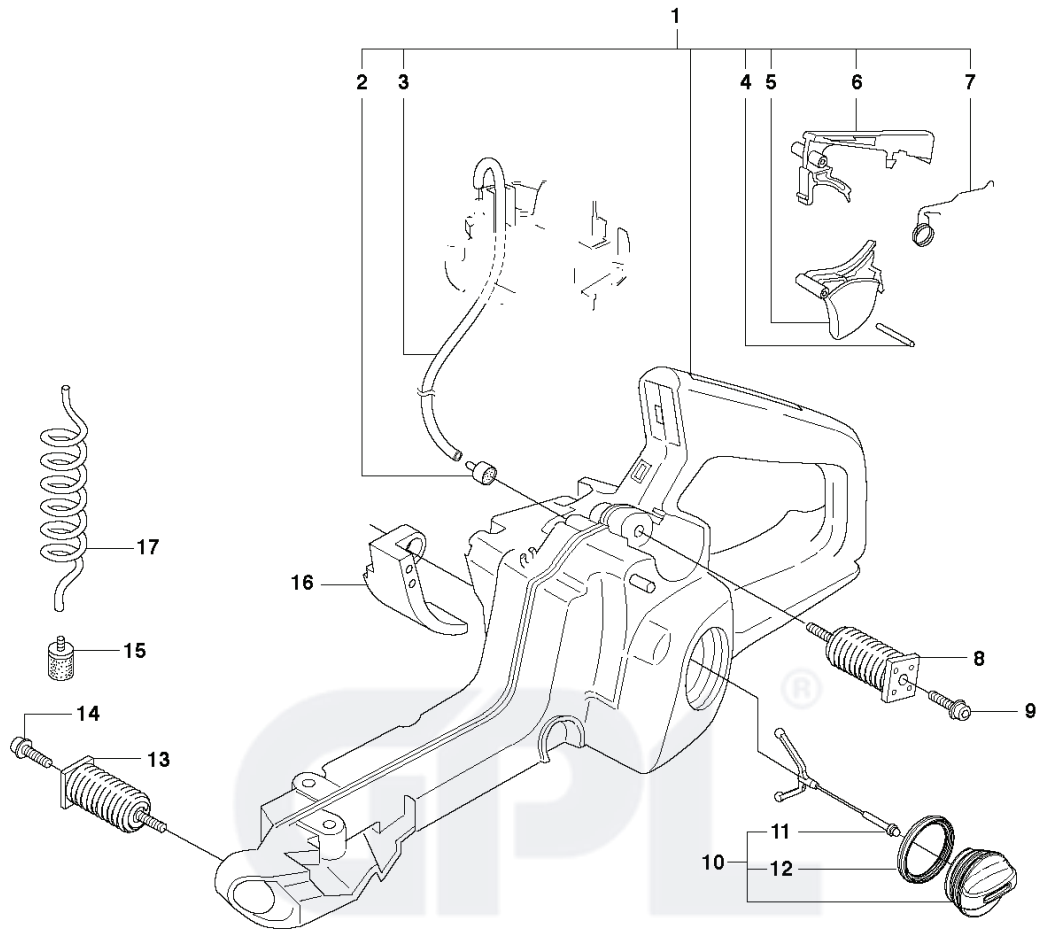
14

Ⓐ 503 97 85-01
Set of gaskets

REF.	PART NO.	DESCRIPTION	REMARK	QTY.	KIT
1	537248504	CYLINDER ASSY		1	
2	503255601	NEEDLE BEARING		1	1
3	537219602	PISTON ASSY		1	1
4	503289014	PISTON RING		1	3
5	737431200	SNAP RING		2	3
6	503966601	GASKET		1	14
7	503916601	GASKET		1	14
8	503916502	HEAT DEFLECTOR		1	
9	503715301	DECOMPRESSION VALVE		1	
10	503552201	PLUG		1	
11	725533355	SCREW IHSCM		4	
12	537022601	SUPPORT		1	
13	503235108	SPARK PLUG	RCJ 7Y	1	
14	503978501	GASKET KIT	A = Set of gaskets	1	



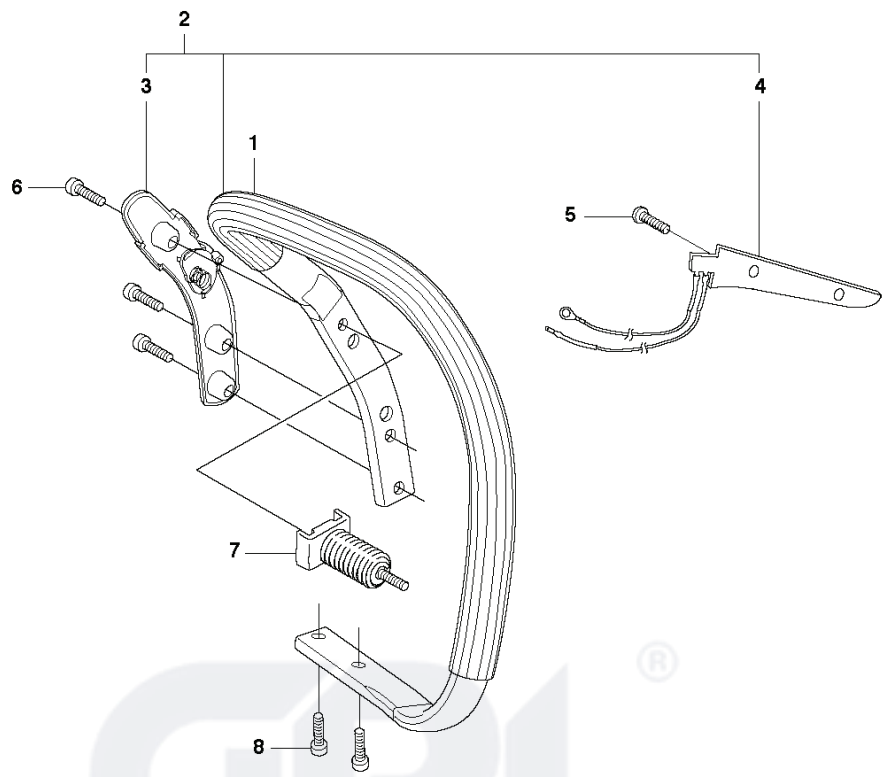
J CS2156
FUEL TANK



REF.	PART NO.	DESCRIPTION	REMARK	QTY.	KIT
1	503923002	FUEL TANK		1	
2	537359501	TANK VENT ASSY		1	1
3	544324920	FUEL HOSE		1	1
4	720182520	PARALLEL PIN		1	1
5	503854502	THROTTLE TRIGGER		1	1
6	503854402	THROTTLE LOCKOUT		1	1
7	503998601	RECOIL SPRING		1	1
8	503854101	ANTIVIBRATION ELEMENT		1	
9	503218876	SCREW IHSCT		1	
10	537215201	TANK CAP ASSY		1	
10	537215203	TANK CAP ASSY	CAT	1	
11	503578901	HOLDER		1	10
12	537215001	SEALING		1	10
13	503923101	ANTIVIBRATION ELEMENT		1	
14	503218876	SCREW IHSCT		1	
15	503443201	FUEL FILTER		1	
16	503964301	WEAR PROTECTION		1	
17	544325002	FUEL HOSE		1	



K CS2156
HANDLE

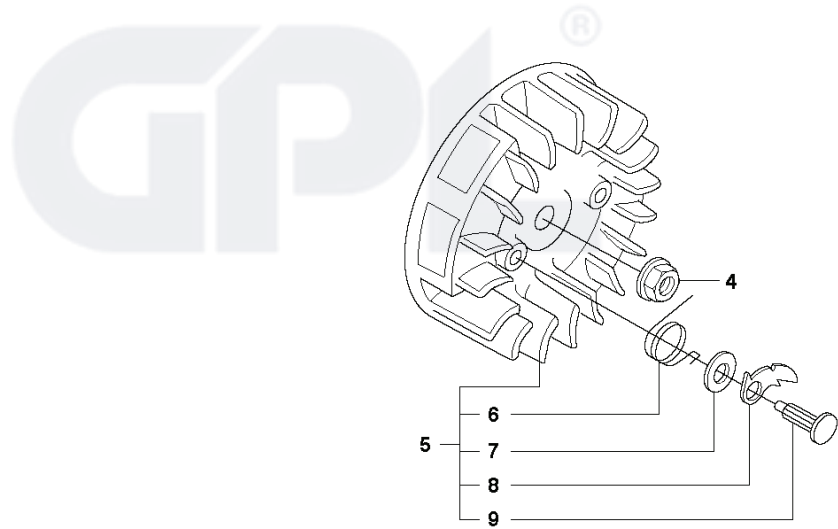
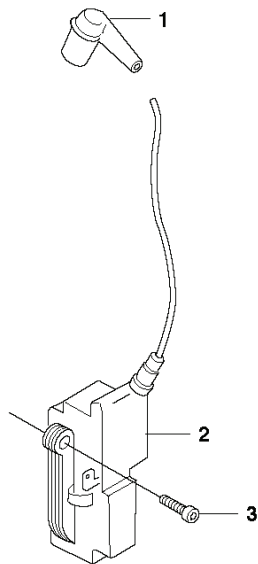
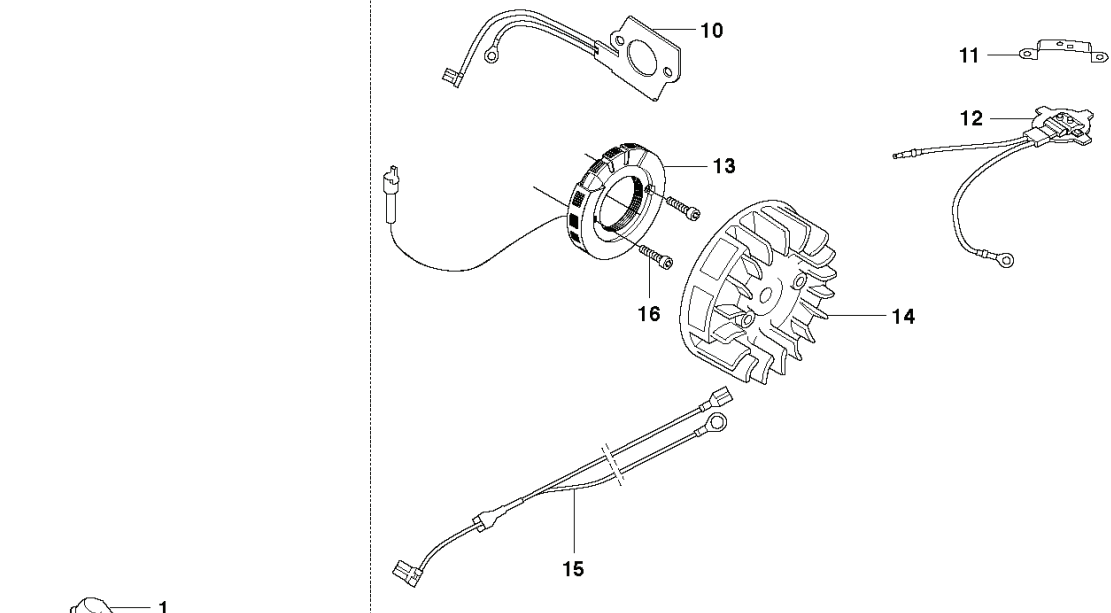


REF.	PART NO.	DESCRIPTION	REMARK	QTY.	KIT
1	537303101	HANDLE		1	
1	537303102	HANDLE	WH	1	2
2	537327402	HANDLE	WH	1	
3	537327302	CONTACT	WH	1	2
4	503926102	HEATING PLATE	WH	1	2
5	503213801	SCREW CRCSRT	WH	2	
6	503218876	SCREW IHSCT		3	
7	503923302	ANTIVIBRATION ELEMENT		1	
8	503218872	SCREW IHSCT		2	

GPL®

L CS2156
IGNITION SYSTEM

Heated carburettor



REF.	PART NO.	DESCRIPTION	REMARK	QTY.	KIT
1	501485402	SPARK PLUG CAP		1	
2	544047001	IGNITION MODULE		1	
3	503215525	SCREW IHSC		2	
4	503220401	NUT		1	
5	503921801	FLYWHEEL		1	
6	503818101	SPRING		2	5, 14
7	503230042	WASHER		2	5, 14
8	537103601	STARTER PAWL		2	5, 14
9	501819903	SCREW		2	5, 14
10	504043201	HEATING PLATE	WH	1	
11	537060402	RETAINER	WH	1	
12	501986301	THERMOSTAT ASSY	WH	1	
13	502609601	GENERATOR STATOR	WH	1	
14	503921803	FLYWHEEL	WH	1	
15	503898705	WIRING ASSY	WH	1	
16	503202516	SCREW IHSCM	WH	2	

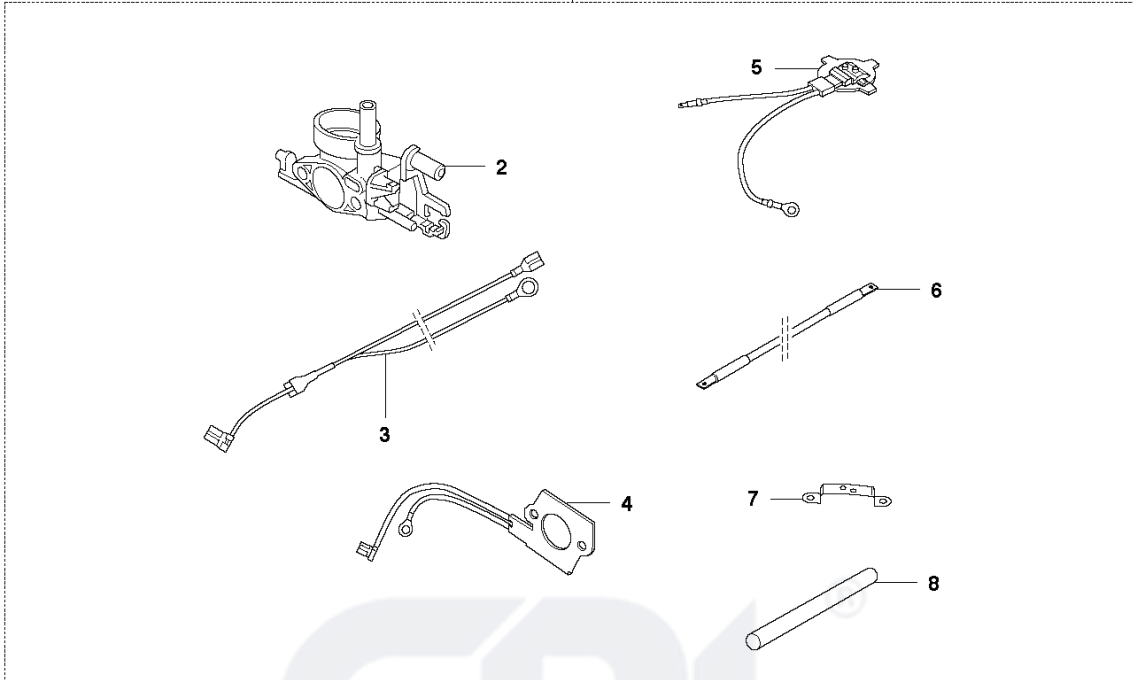


Q



Up to 073900001 (CS2156)

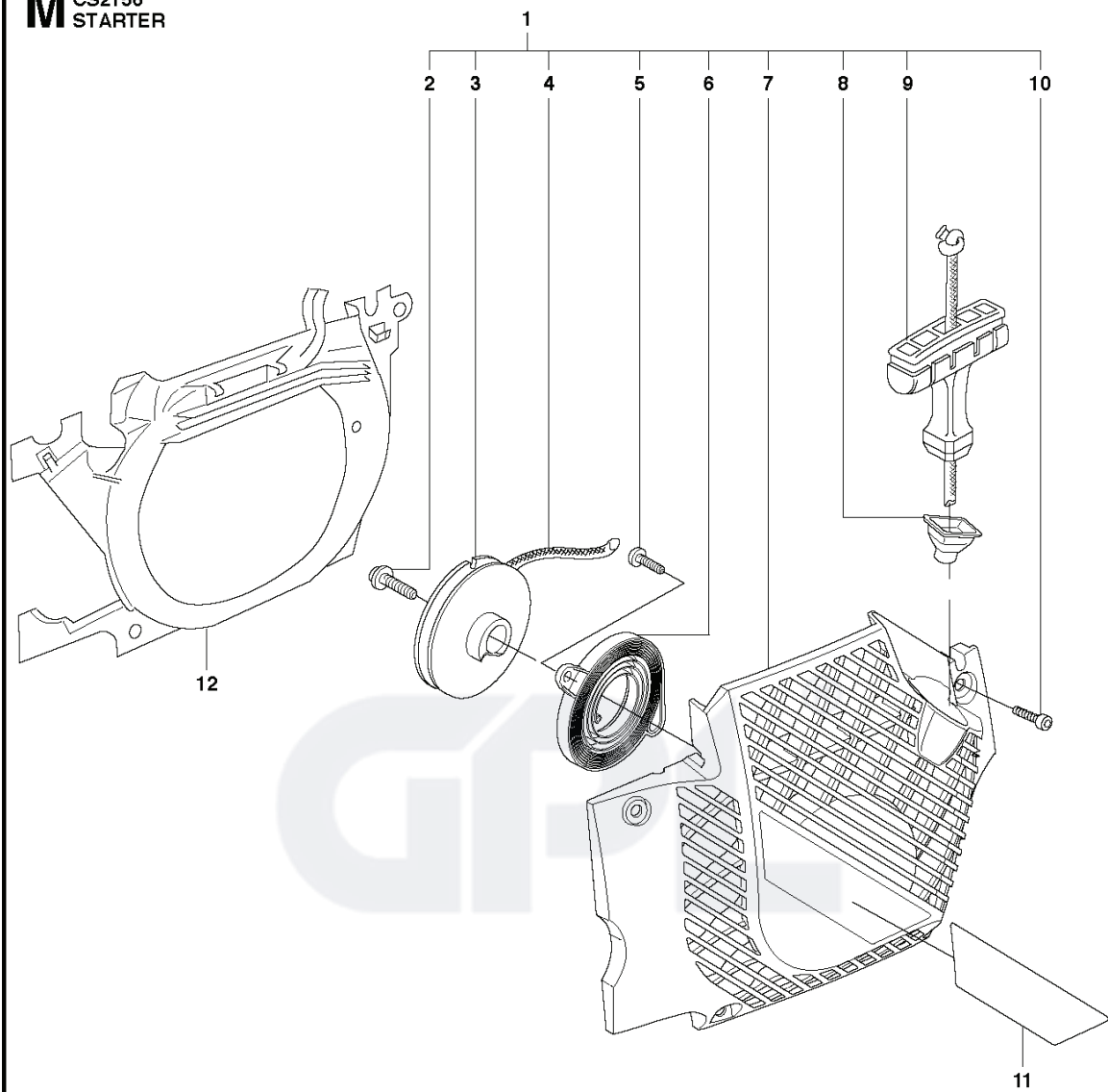
1



REF.	PART NO.	DESCRIPTION	REMARK	QTY.	KIT
1	502628701	KIT		1	
2	544011002	FILTER HOLDER		1	1
3	503898705	WIRING ASSY		1	1
4	504043201	HEATING PLATE		1	1
5	501986301	THERMOSTAT ASSY		1	1
6	504116801	WIRING ASSY		1	1
7	537060402	RETAINER		1	1
8	504043501	CABLE COVER		1	1

GPL®

M CS2156
STARTER



REF.	PART NO.	DESCRIPTION	REMARK	QTY.	KIT
1	537009702	STARTER		1	
2	503215216	SCREW IHSCFT		1	1
3	537065901	STARTER PULLEY		1	1
4	505305125	STARTER ROPE		1	1
5	503212910	SCREW CCRPANT		2	1
6	537093101	SPRING CASSETTE ASSY		1	1
7	537009801	STARTER HOUSING		1	1
8	501630601	SLEEVE		1	1
9	537196501	STARTER HANDLE		1	1
10	544080301	SCREW		4	1
11	505427304	LABEL		1	
11	505427305	LABEL	CWH	1	
11	505427306	LABEL	C	1	
12	503928901	AIR CONDUCTOR		1	

