

CS2159

Spare parts

Ersatzteile

Pièces détachées

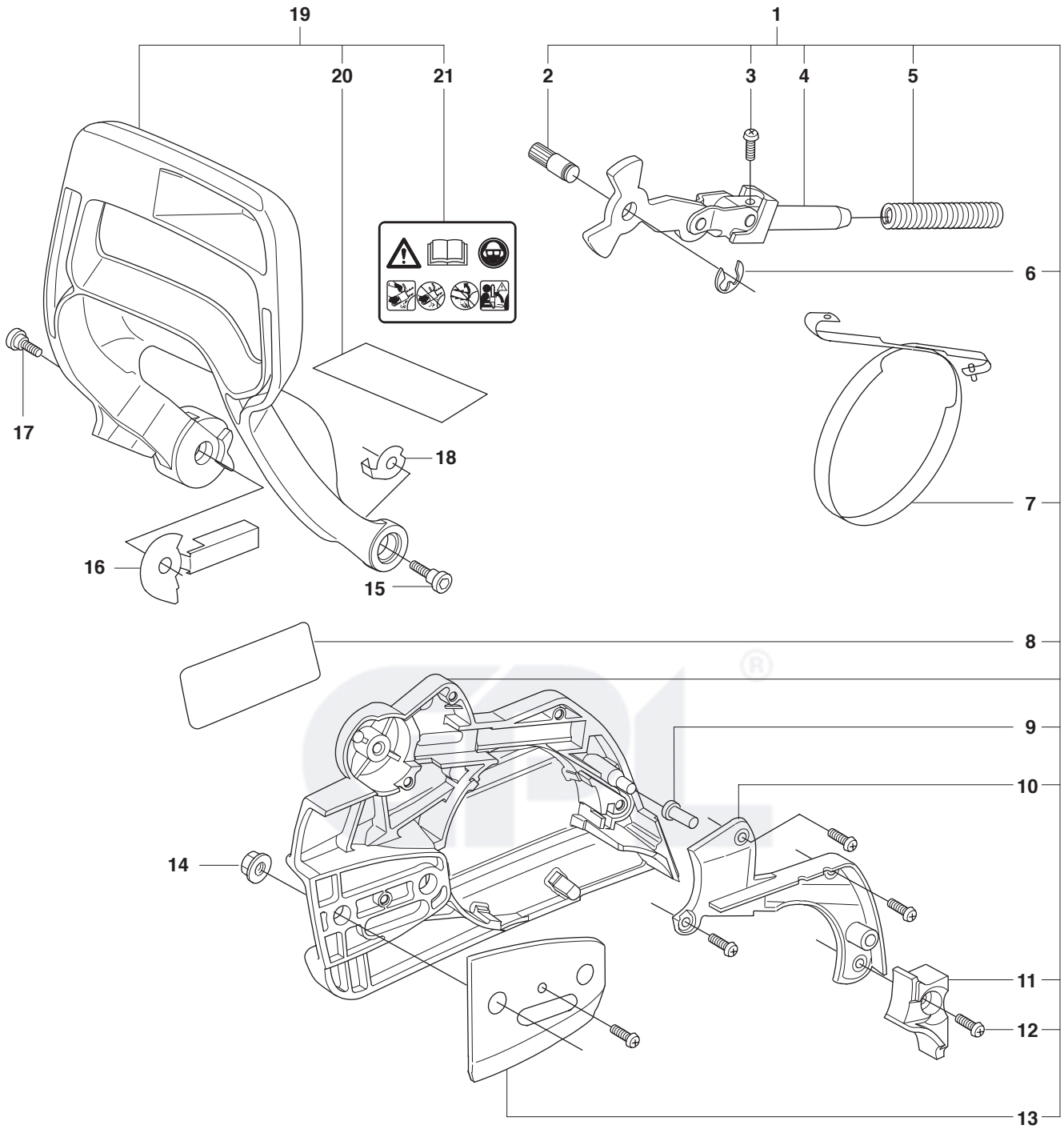
Reserve onderdelen

Repuestos

Reservdelar



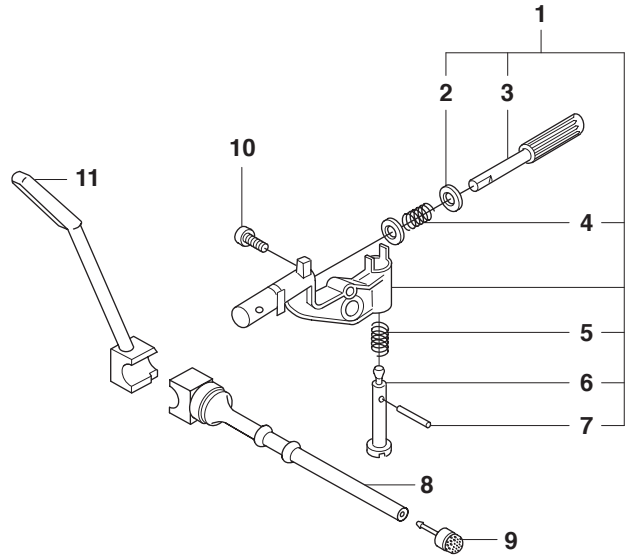
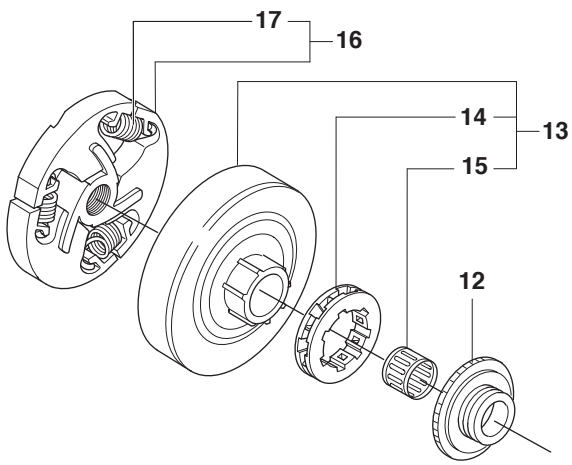
A CS2159
CHAIN BRAKE



Page A		CS2159		CHAIN BRAKE	
Position	Article	Quantity	Notes	Kit	
1	537 10 79-01	1			
2	503 89 29-01	1		1	
3	503 21 70-10	1		1	
4	503 89 08-02	1		1	
5	503 46 59-01	1		1	
6	735 31 08-20	1		1	
7	537 04 30-01	1		1	
8	537 00 63-02	1		1	
9	503 85 52-01	1		1	
10	537 10 80-02	1		1	
11	537 08 90-01	1		1	
12	503 21 70-10	5		1	
13	503 85 66-01	1		1	
14	503 22 00-01	2			
15	503 89 30-03	1			
16	537 02 99-01	1			
17	503 89 30-03	1			
18	503 23 00-71	1			
19	537 10 48-02	1			
20	537 15 27-01	1		19	
21	503 98 74-01	1		19	



B CS2159
CLUTCH & OIL PUMP

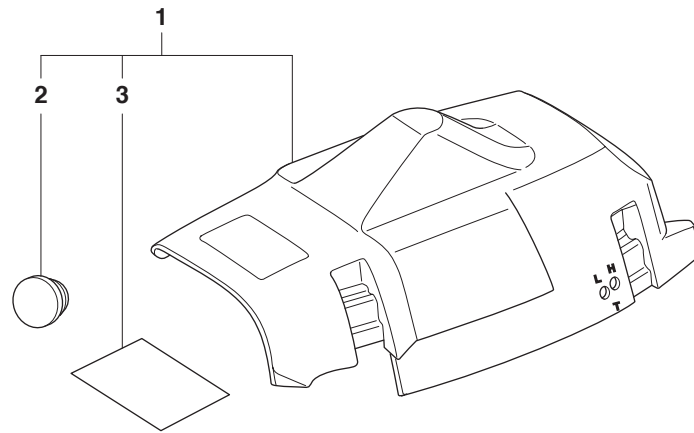


GPL®

Page B CS2159		CLUTCH & OIL PUMP		
Position	Article	Quantity	Notes	Kit
1	544 18 01-04	1		
2	503 23 00-60	2		1
3	537 06 93-02	1		1
4	503 89 16-01	1		1
5	503 89 15-01	1		1
6	537 02 71-01	1		1
7	721 11 64-30	1		1
8	537 10 11-01	1		
9	503 96 75-01	1		
10	503 21 74-12	1		
11	537 09 18-01	1		
12	503 91 27-03	1	.325x7T	
12	503 91 29-03	1	3/8"x7T	
13	503 98 00-02	1	.325x7T	
13	503 93 48-71	1	3/8"x7T	
14	501 45 74-02	1	.325x7T	13
14	501 59 80-02	1	3/8"x7T	13
15	503 25 52-01	1		13
16	537 10 34-03	1		
17	537 16 69-01	1		16



C CS2159
CYLINDER COVER

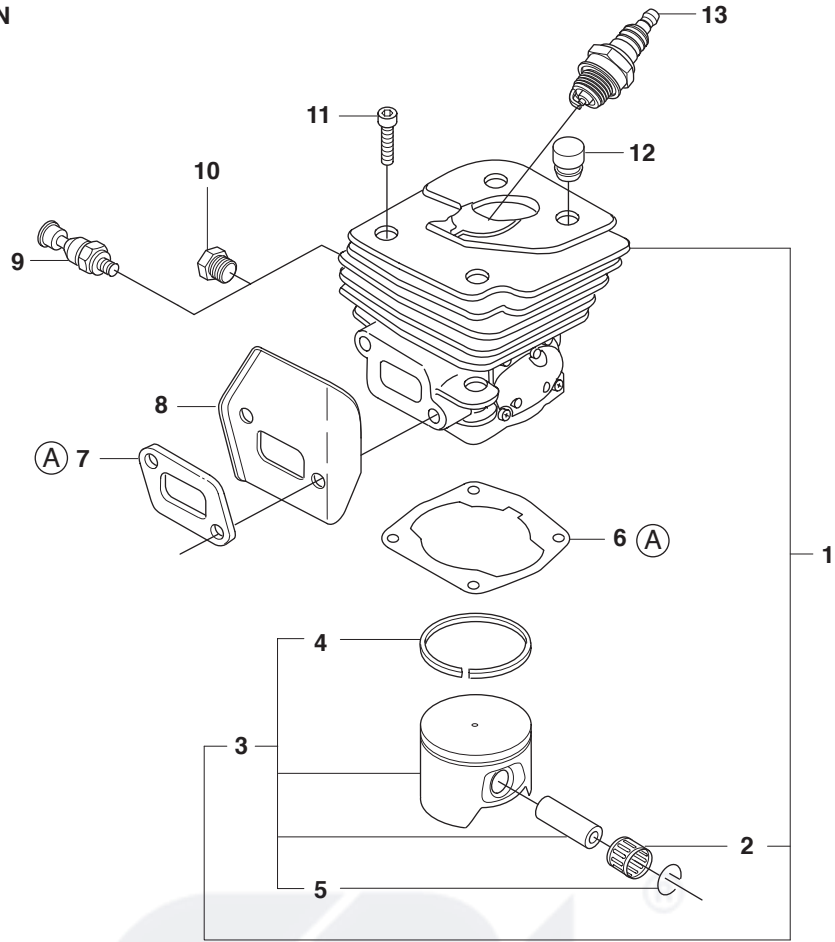


GPL®

Page C		CS2159		CYLINDER COVER	
Position	Article	Quantity	Notes	Kit	
1	537 01 01-02	1			
2	503 40 59-01	1		1	
3	537 15 27-01	1		1	



D CS2159
CYLINDER PISTON



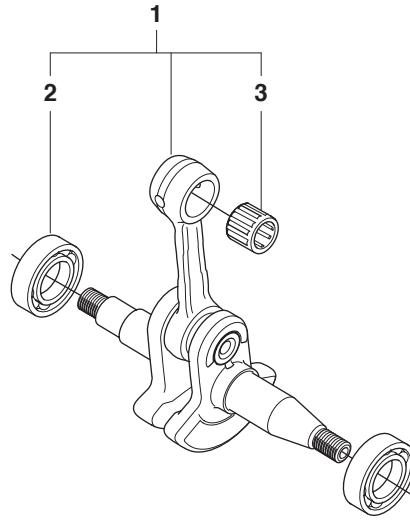
14

Ⓐ 503 97 85-01
Set of gaskets

Page D		CS2159		CYLINDER PISTON	
Position	Article	Quantity	Notes	Kit	
1	537 15 73-04	1			
2	503 25 56-01	1		1	
3	576 47 22-02	1		1	
4	503 28 90-29	1		3	
5	737 43 12-00	2		3	
6	503 96 66-01	1		14	
7	503 91 66-01	1		14	
8	503 91 65-02	1			
9	503 71 53-01	1			
10	503 55 22-01	1			
11	725 53 33-55	4			
12	537 02 26-01	1			
13	503 23 51-08	1	RCJ 7Y		
14	503 97 85-01	1	A = Set of gaskets		



E CS2159
CRANK SHAFT

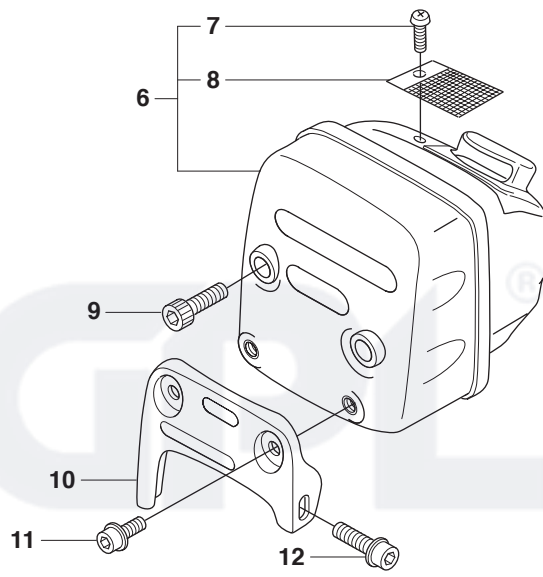
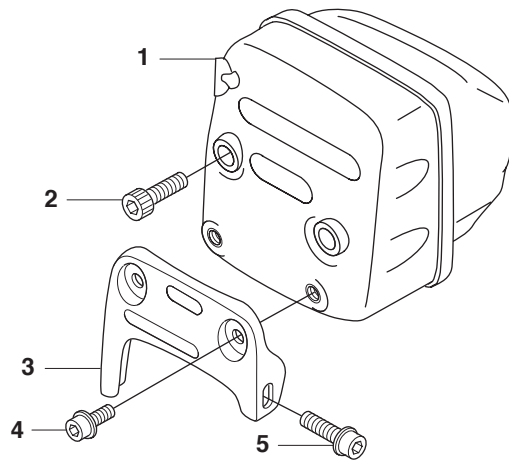


GPL®

Page E		CS2159		CRANK SHAFT	
Position	Article	Quantity	Notes	Kit	
1	537 15 68-02	1			
2	738 22 02-25	2		1	
3	503 25 56-01	1		1	



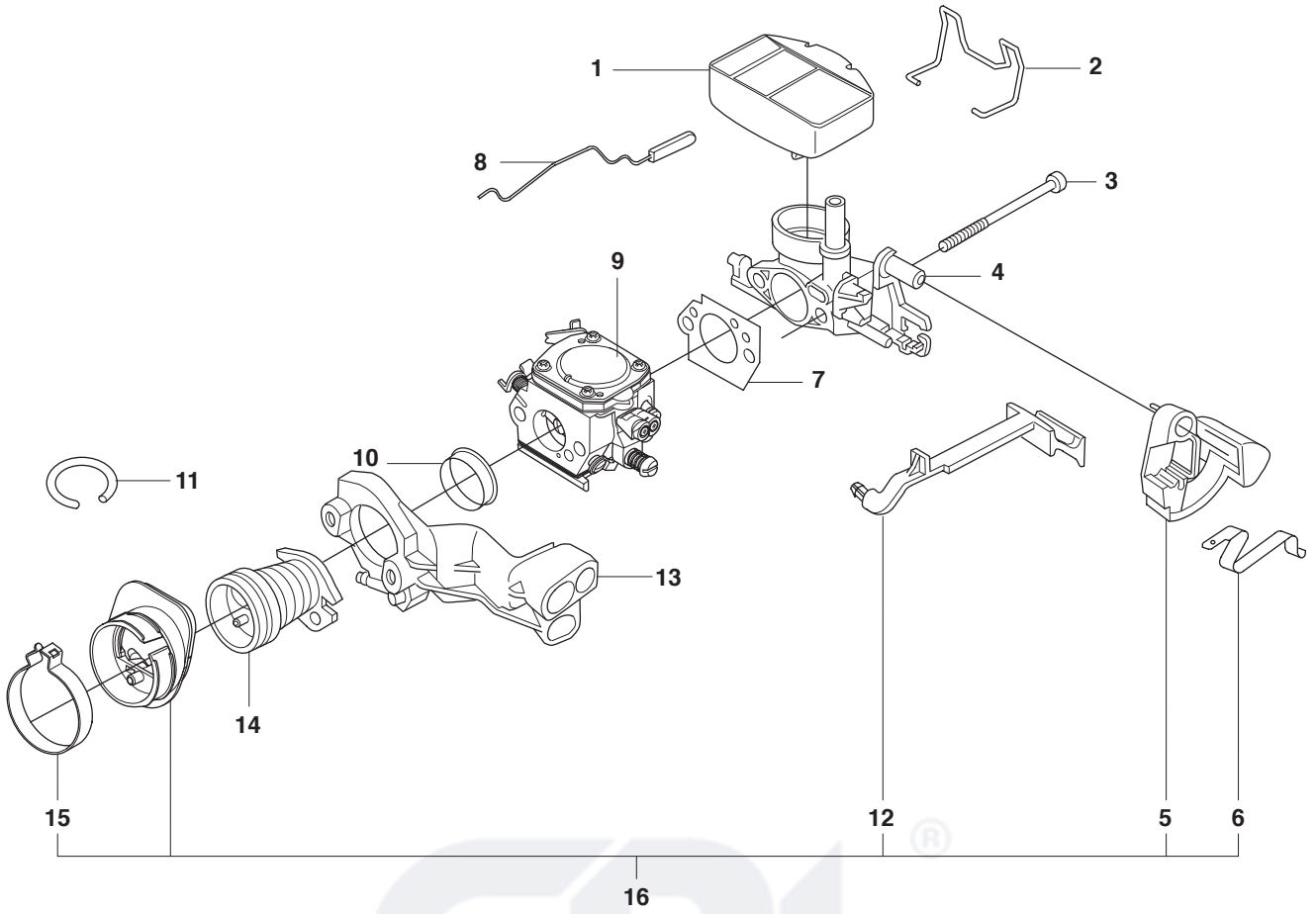
F CS2159
MUFFLER



Page F		CS2159		MUFFLER	
Position	Article	Quantity	Notes	Kit	
1	504 70 69-01	1	EU/Tube		
2	725 53 68-55	2			
3	503 91 74-02	1			
4	503 20 07-10	2			
5	503 20 07-76	1			
6	504 70 68-01	1	CAT		
7	724 12 87-59	1		6	
8	504 78 58-01	1		6	
9	725 53 68-55	2			
10	503 91 74-02	1			
11	503 20 07-10	2			
12	503 20 07-76	1			



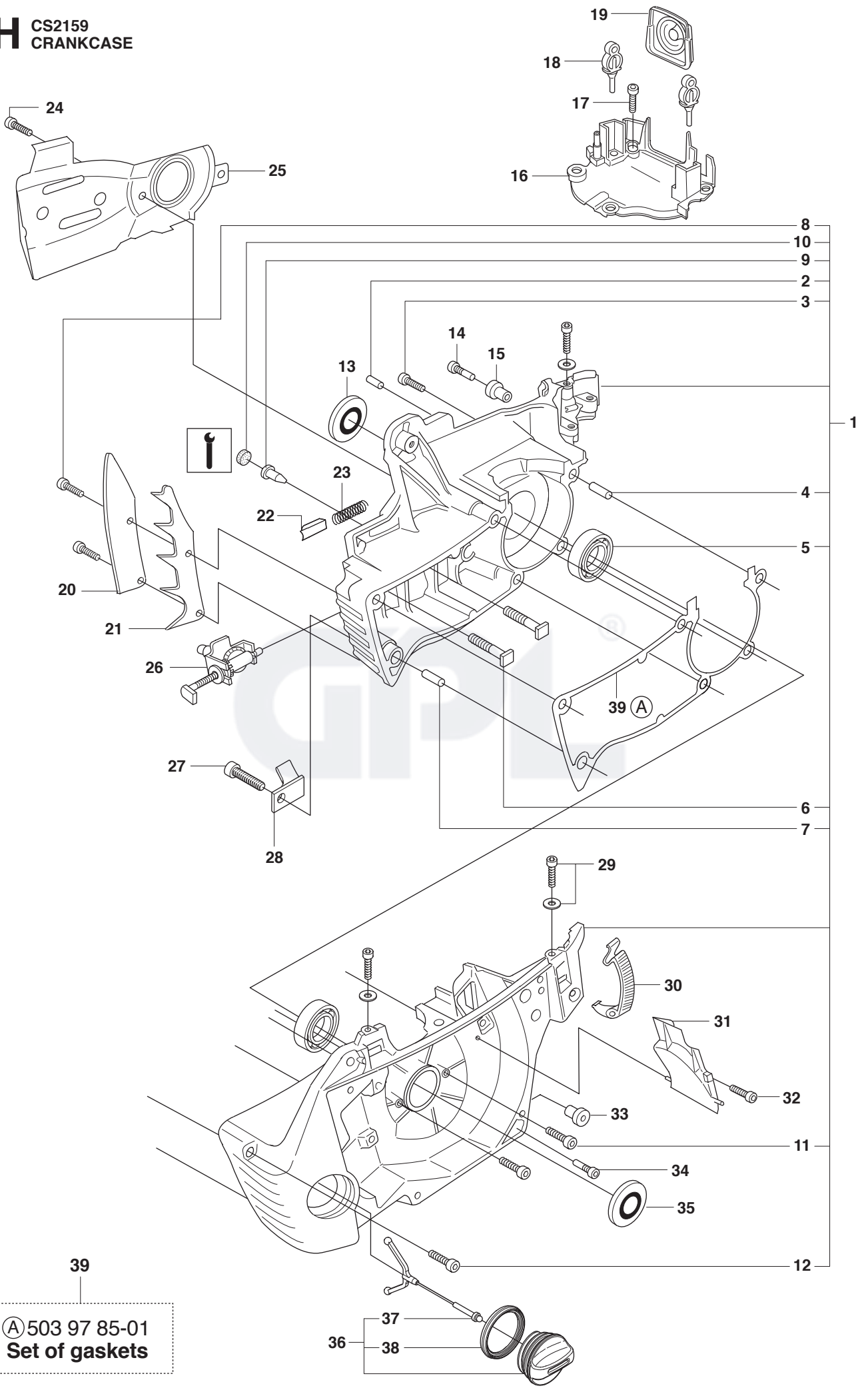
G CS2159
CARBURETTOR & AIR FILTER



Page G		CS2159		CARBURETTOR & AIR FILTER	
Position	Article	Quantity	Notes	Kit	
1	537 01 09-01	1	80 μ		
1	537 01 09-02	1	44 μ		
1	537 01 09-03	1	FELT		
2	503 96 27-01	1			
3	725 53 41-55	2			
4	544 01 10-02	1			
5	503 86 95-02	1		16	
6	503 86 97-02	1		16	
7	503 96 76-01	1			
8	503 93 87-02	1			
9	505 20 30-01	1			
10	504 06 44-01	1			
11	544 32 51-01	1			
12	503 92 25-01	1		16	
13	503 92 85-02	1			
14	503 92 87-02	1			
15	537 43 88-01	1		16	
16	537 25 13-02	1			

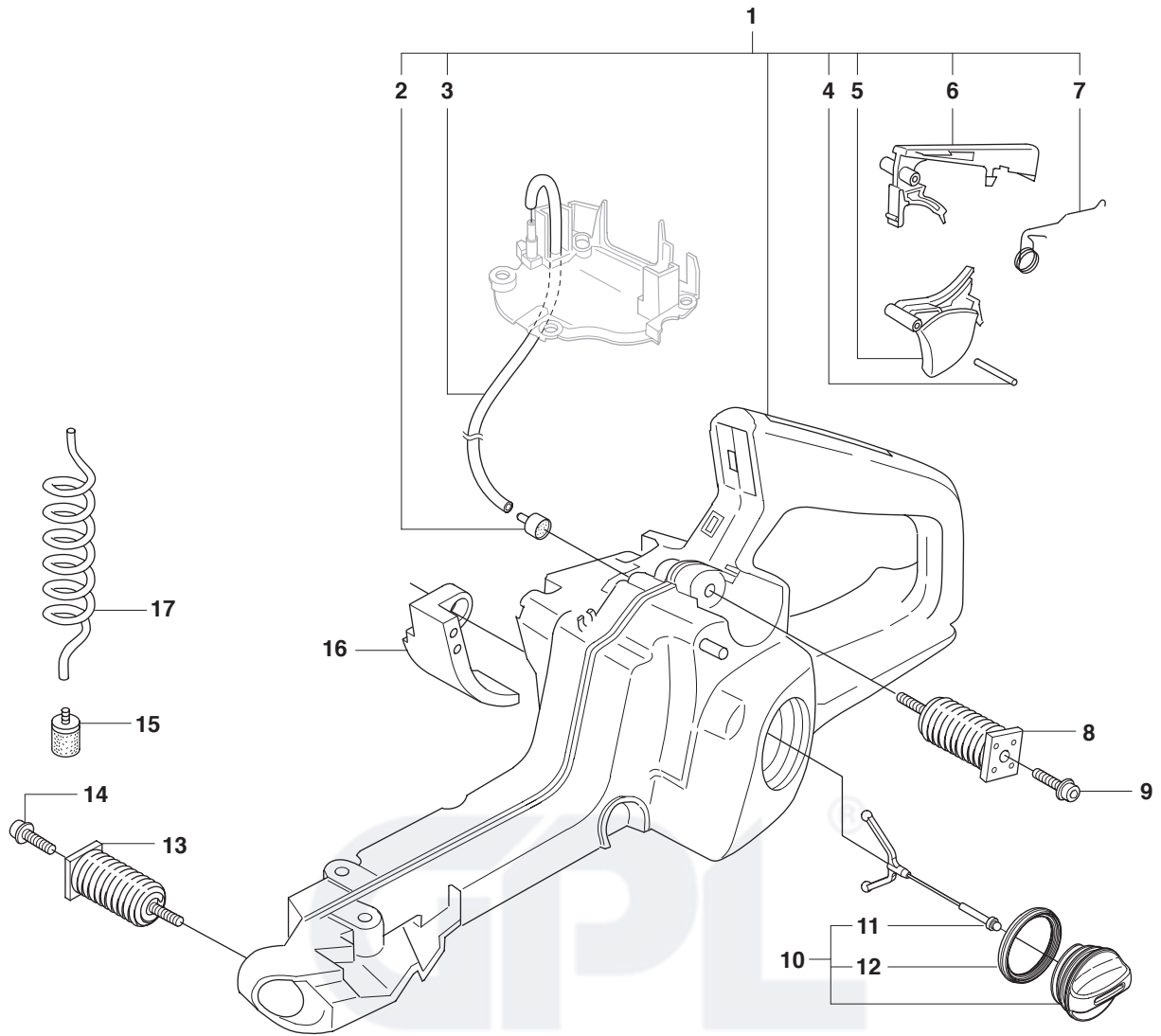


H CS2159
CRANKCASE



Position	Article	Quantity	Notes	Kit
1	503 92 53-06	1		
2	721 12 07-30	1		1
3	503 20 08-32	6		1
4	503 90 56-01	1		1
5	738 22 02-25	2		1
6	503 87 54-01	2		1
7	503 90 56-01	1		1
8	503 20 07-76	2		1
9	530 02 61-19	1		1
10	537 40 35-01	1		1
11	503 20 25-16	2		1
12	503 20 02-20	1		1
13	505 27 57-19	1		
14	503 21 51-01	1		
15	503 86 92-01	1		
16	503 92 79-04	1		
17	503 21 75-12	4		
18	503 86 93-01	2		
19	537 14 65-01	1		
20	537 02 18-01	1		
21	503 97 38-01	1		
22	503 89 24-01	1		
23	503 43 65-01	1		
24	503 21 74-12	2		
25	503 93 54-01	1		
26	537 07 12-01	1		
27	503 21 88-76	1		
28	537 37 79-01	1		
29	503 21 39-01	3		
30	503 89 47-02	3		
31	503 92 90-01	1		
32	503 21 74-12	1		
33	503 86 92-01	1		
34	503 21 51-01	1		
35	505 27 57-19	1		
36	537 21 52-01	1		
37	503 57 89-01	1		36
38	537 21 50-01	1		36
39	503 97 85-01	1	A = Set of gaskets	

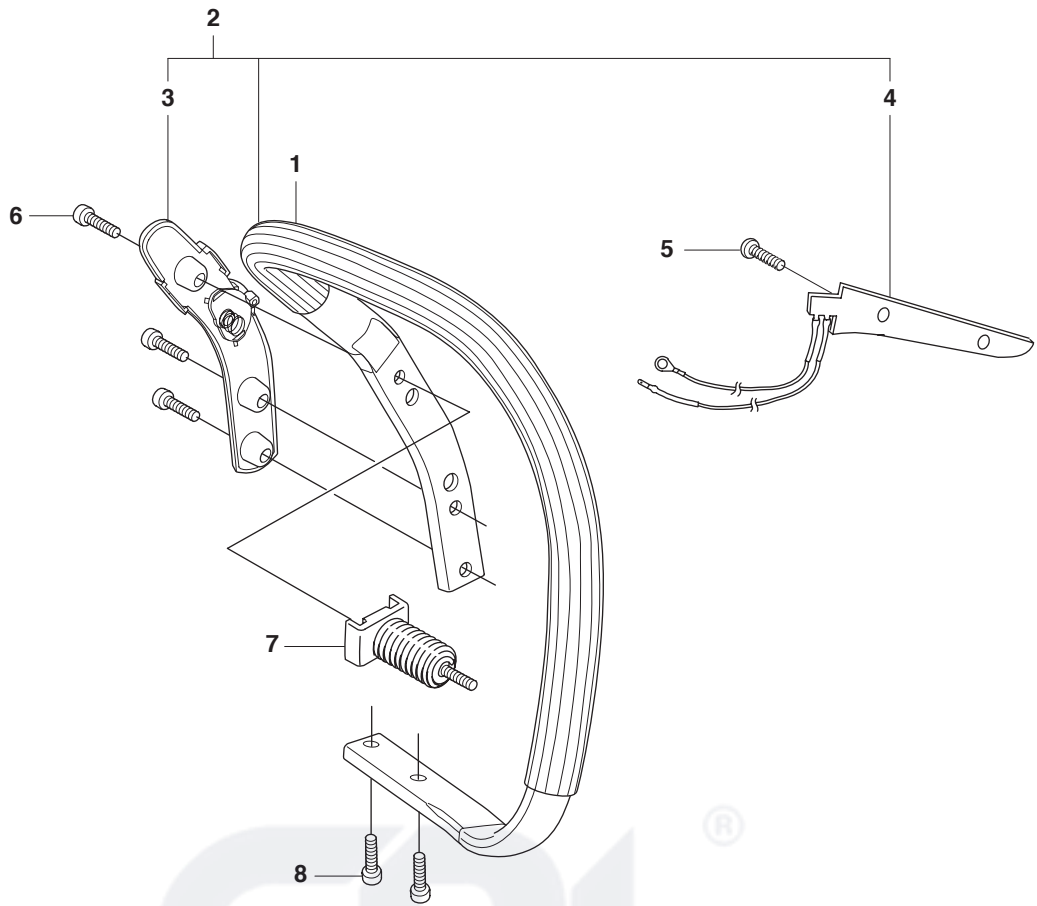
J CS2159
FUEL TANK



Page J		CS2159		FUEL TANK	
Position	Article	Quantity	Notes	Kit	
1	503 92 30-02	1			
2	537 35 95-01	1		1	
3	544 32 49-20	1		1	
4	720 18 25-20	1		1	
5	503 85 45-02	1		1	
6	503 85 44-02	1		1	
7	503 99 86-01	1		1	
8	503 85 41-01	1			
9	503 21 88-76	1			
10	537 21 52-01	1			
10	537 21 52-03	1	CAT		
11	503 57 89-01	1		10	
12	537 21 50-01	1		10	
13	503 92 31-01	1			
14	503 21 88-76	1			
15	503 44 32-01	1			
16	503 96 43-01	1			
17	544 32 50-02	1			



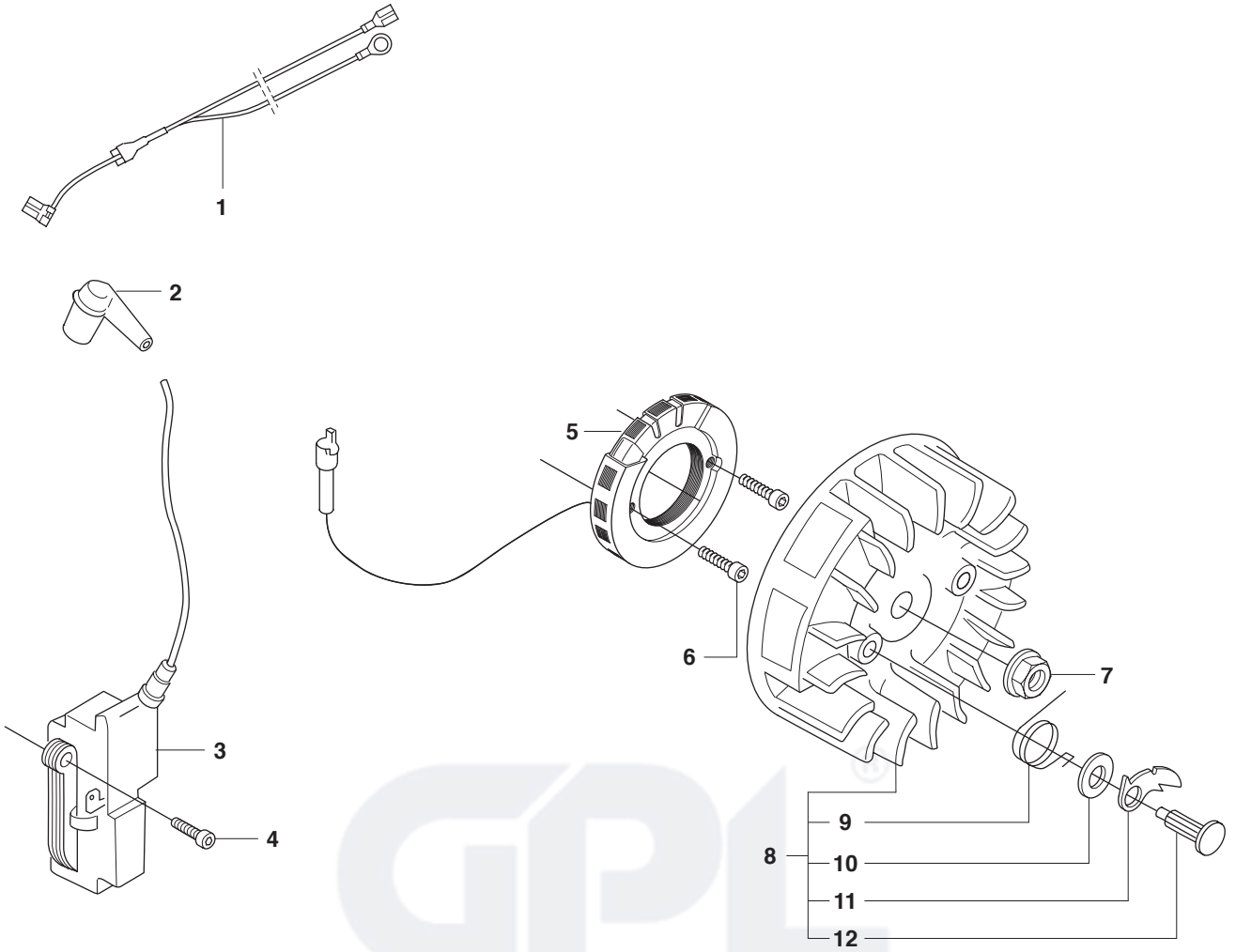
K CS2159
HANDLE



Page K		CS2159		HANDLE	
Position	Article	Quantity	Notes	Kit	
1	537 30 31-01	1			
1	537 30 31-02	1	W	2	
2	537 32 74-02	1	W		
3	537 32 73-02	1	W	2	
4	503 92 61-02	1	W	2	
5	503 21 38-01	2	W		
6	503 21 88-76	3			
7	503 92 33-02	1			
8	503 21 88-72	2			



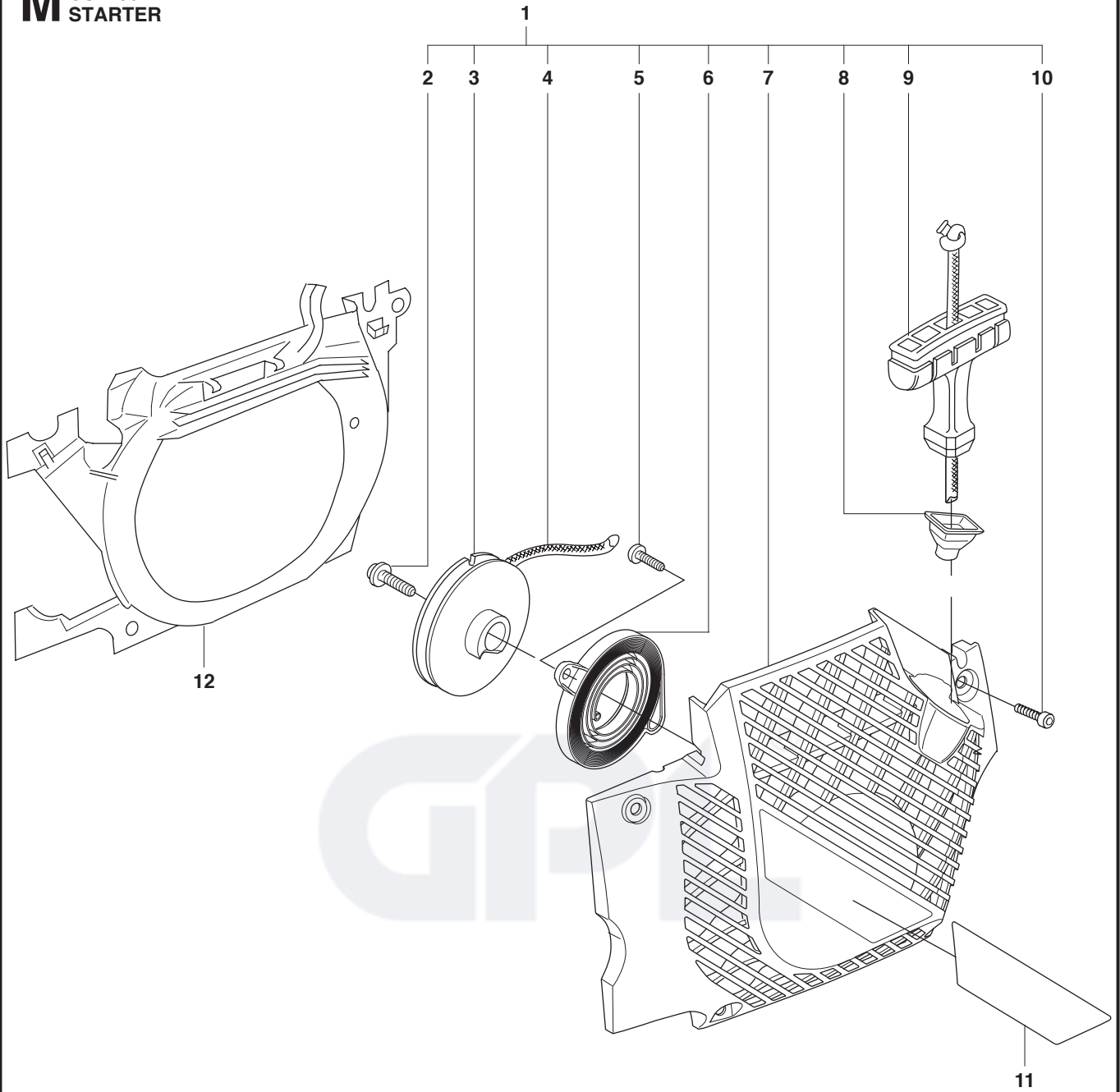
L CS2159
IGNITION SYSTEM



Page L		CS2159		IGNITION SYSTEM	
Position	Article	Quantity	Notes	Kit	
1	503 89 87-01	1			
2	501 48 54-02	1			
3	544 04 70-01	1			
4	503 21 55-25	2			
5	537 33 02-01	1	W		
6	503 20 25-16	2			
7	503 22 04-01	1			
8	503 92 18-01	1			
8	503 92 18-02	1	W		
9	503 81 81-01	2		8	
10	503 23 00-42	2		8	
11	537 10 36-01	2		8	
12	501 81 99-03	2		8	

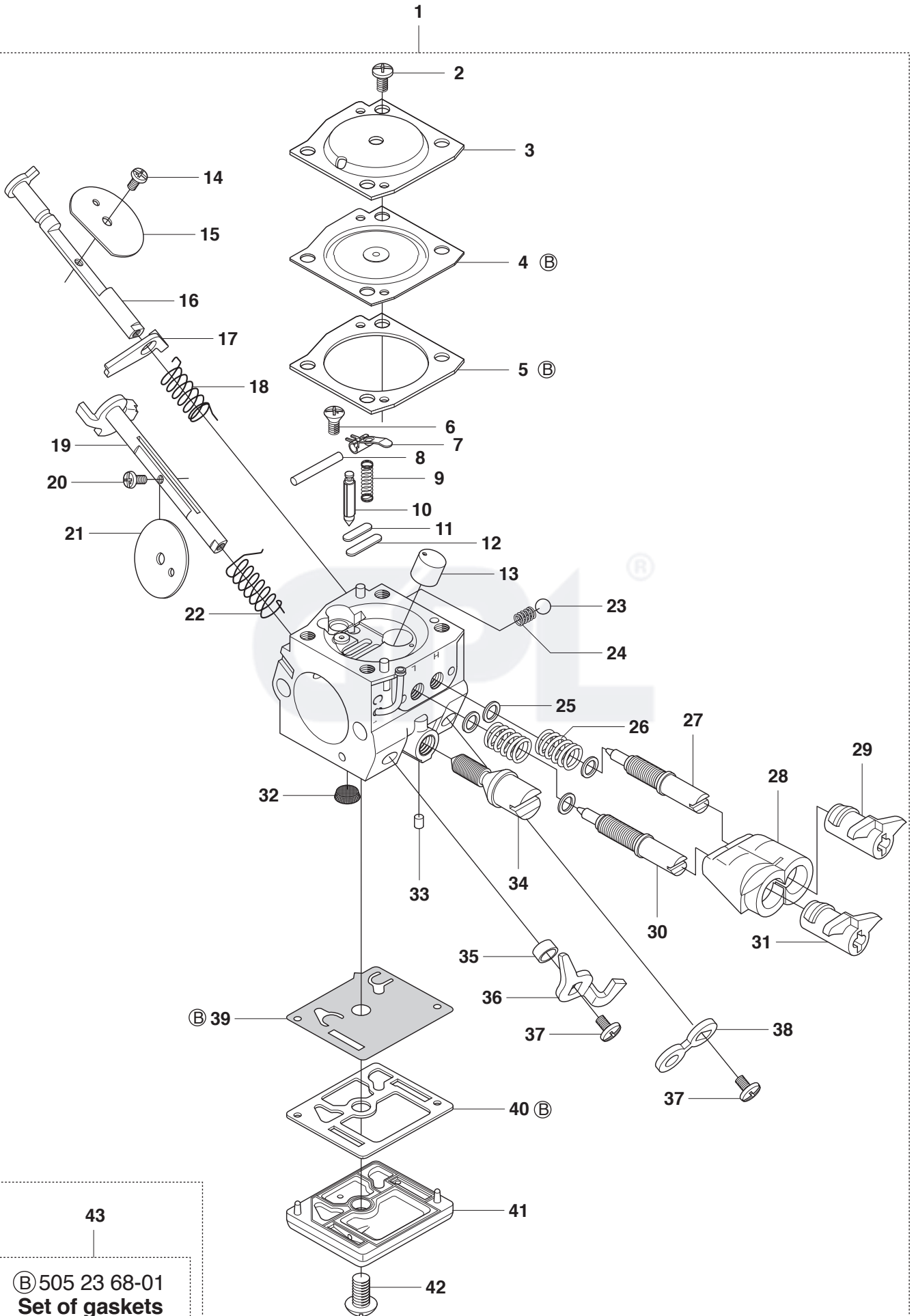


M CS2159
STARTER



Page M		CS2159		STARTER	
Position	Article	Quantity	Notes	Kit	
1	537 00 97-02	1			
2	503 21 52-16	1		1	
3	537 06 59-01	1		1	
4	505 30 51-25	1		1	
5	503 21 29-10	2		1	
6	537 09 31-01	1		1	
7	537 00 98-01	1		1	
8	501 63 06-01	1		1	
9	537 19 65-01	1		1	
10	544 08 03-01	4		1	
11	505 42 73-01	1			
11	505 42 73-02	1	W		
11	505 42 73-03	1	C		
12	503 92 89-01	1			



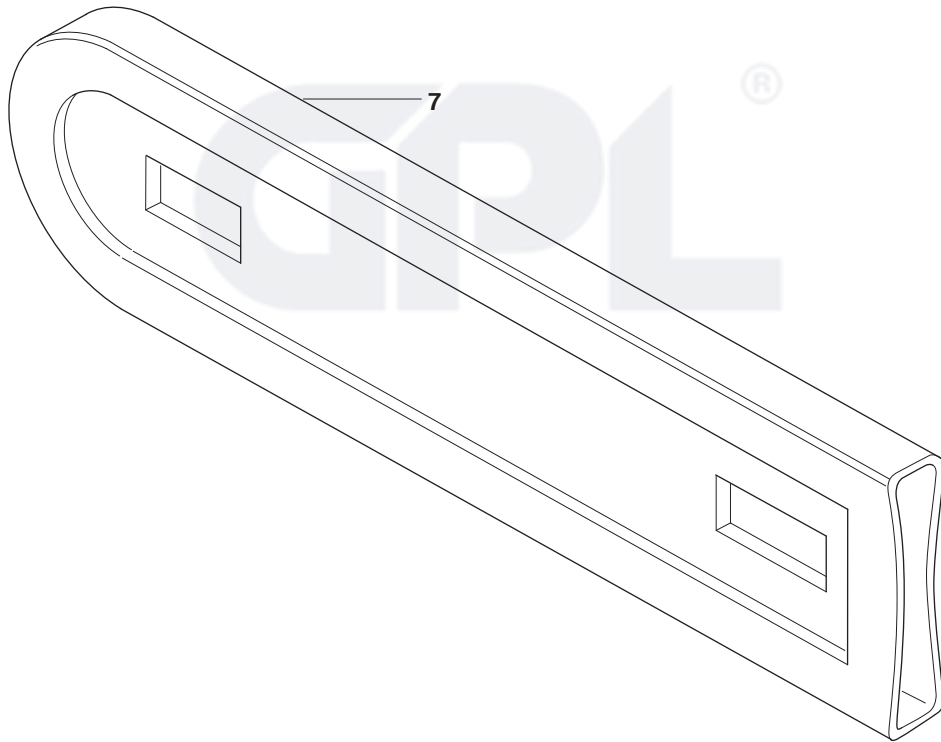
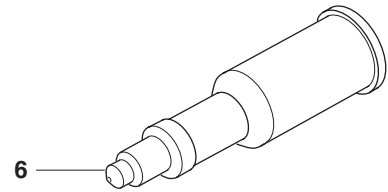
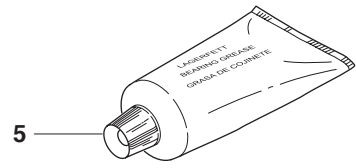
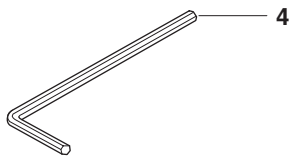
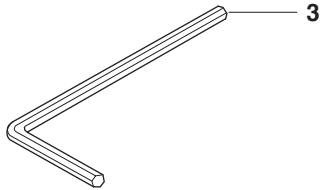
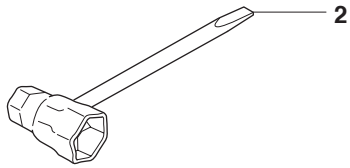


(B) 505 23 68-01
Set of gaskets

Page N		CS2159			CARBURETTOR	
Position	Article	Quantity	Notes	Kit		
1	505 20 30-01	1				
2	503 48 05-01	4			1	
3	537 17 60-01	1			1	
4	537 17 59-01	1			1, 43	
5	505 22 39-01	1			1, 43	
6	544 08 21-01	1			1	
7	537 17 64-01	1			1	
8	503 48 00-01	1			1	
9	537 17 63-01	1			1	
10	537 17 62-01	1			1	
11	537 17 78-01	1			1	
12	503 53 56-01	1			1	
13	505 23 67-01	1			1	
14	503 52 36-01	1			1	
15	537 17 72-01	1			1	
16	537 17 71-01	1			1	
17	544 05 67-01	1			1	
18	537 17 66-01	1			1	
19	537 17 57-01	1			1	
20	503 48 18-01	1			1	
21	537 17 70-01	1			1	
22	537 17 61-01	1			1	
23	537 01 25-01	1			1	
24	537 01 26-01	2			1	
25	503 90 31-01	4			1	
26	503 48 08-01	2			1	
27	537 17 85-01	1			1	
28	503 90 34-01	1			1	
29	503 90 33-01	1			1	
30	537 17 86-01	1			1	
31	503 90 32-01	1			1	
32	503 53 57-01	1			1	
33	503 48 11-01	1			1	
34	504 02 73-01	1			1	
35	503 48 19-01	1			1	
36	537 17 69-01	1			1	
37	503 47 90-01	2			1	
38	537 17 75-01	1			1	
39	537 38 02-01	1			1, 43	
40	503 61 66-01	1			1, 43	
41	537 17 68-01	1			1	
42	503 47 96-01	1			1	
43	505 23 68-01	1	B = Set of gaskets			

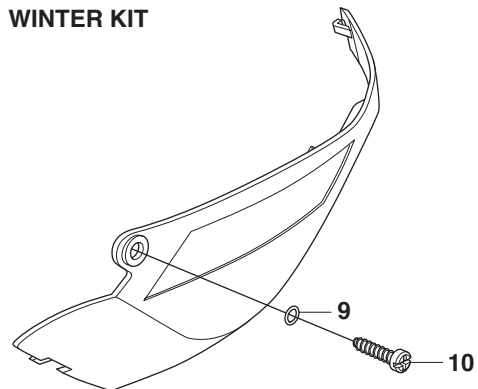
P CS1259
ACCESSORIES

1



WINTER KIT

8



Page P		CS2159		ACCESSORIES	
Position	Article	Quantity	Notes	Kit	
1	503 55 85-01	1			
2	501 69 17-01	1		1	
3	503 55 86-02	1		1	
4	503 55 86-01	1		1	
5	503 62 12-01	1		1	
6	501 91 14-01	1		1	
7	501 83 44-02	1	13"-16"	1	
7	501 83 44-05	1	18"-22"	1	
8	537 17 16-01	1	WINTER KIT		
9	740 42 01-00	1		8	
10	503 21 70-16	1		8	

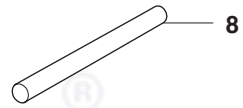
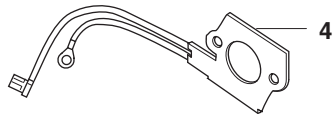
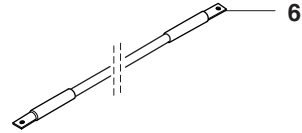
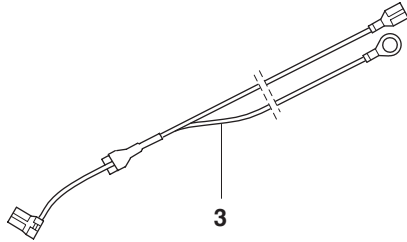
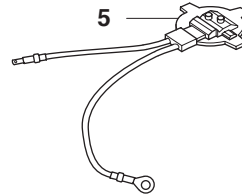
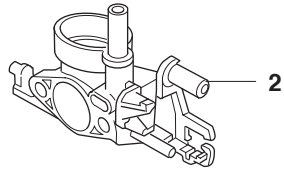


Q



Up to 073900001 (CS2159)

1



GPL

Page Q		CS2159		SERVICE UPDATE	
Position	Article	Quantity	Notes	Kit	
1	502 62 87-01	1			
2	544 01 10-02	1		1	
3	503 89 87-05	1		1	
4	504 04 32-01	1		1	
5	501 98 63-01	1		1	
6	504 11 68-01	1		1	
7	537 06 04-02	1		1	
8	504 04 35-01	1		1	

