

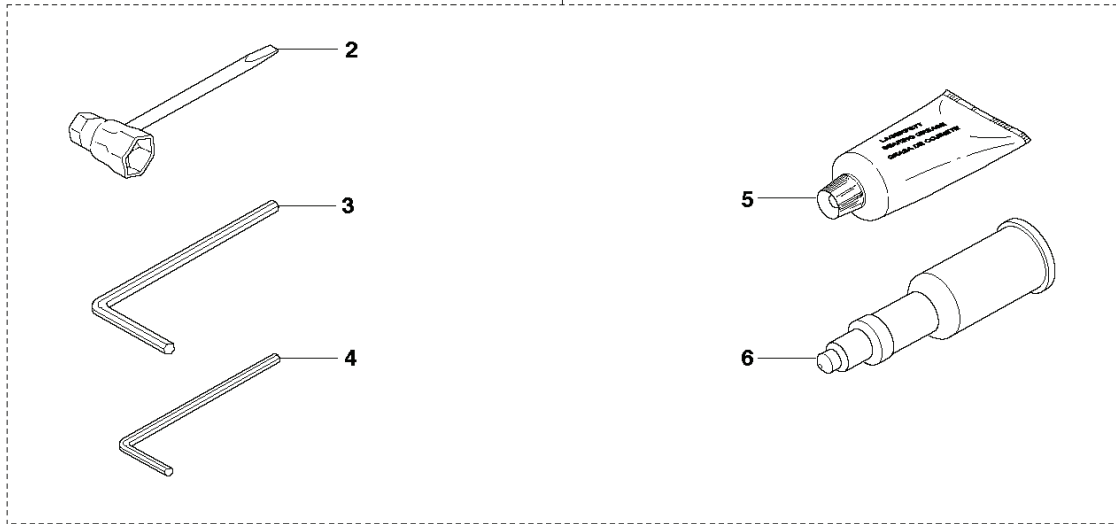
CS2165, 2010-05

GPL[®]

SPARE PARTS LIST

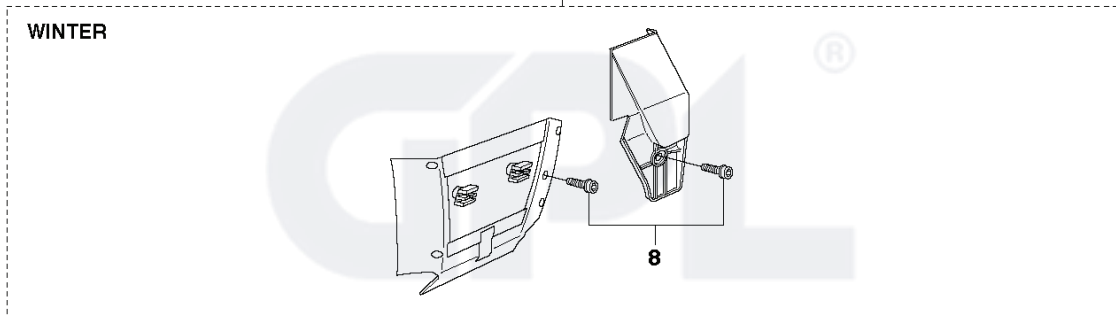
P CS2165
ACCESSORIES

1

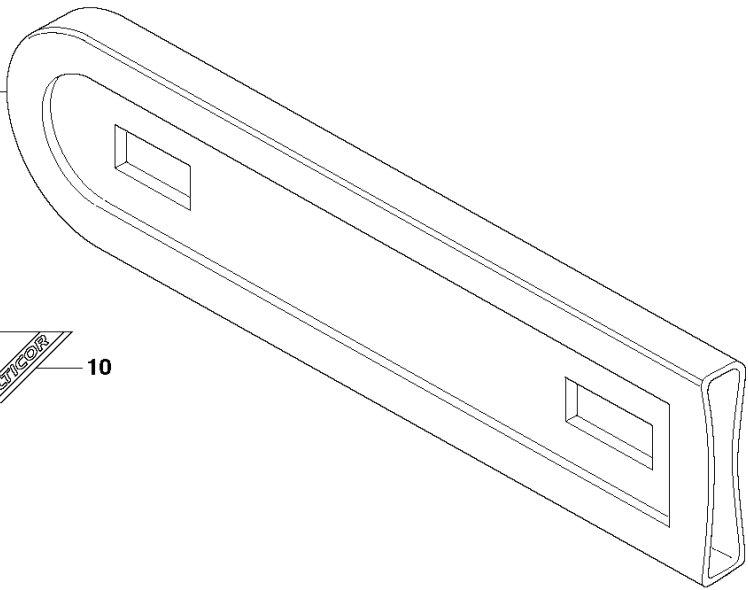


7

WINTER



9

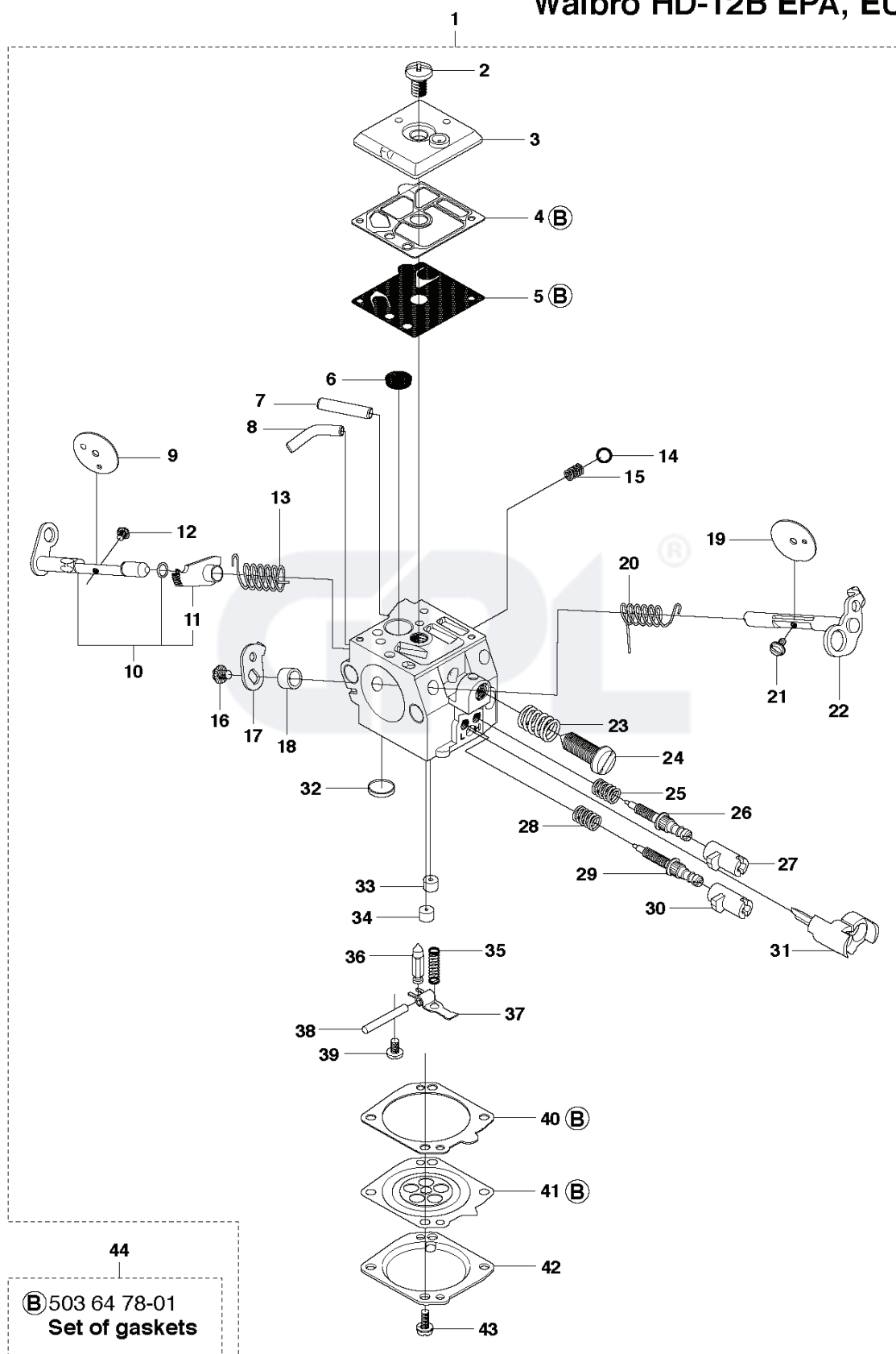


REF.	PART NO.	DESCRIPTION	REMARK	QTY.	KIT
1	503558501	TOOL		1	
2	501691701	COMBINATION WRENCH		1	1
3	503558602	SPANNER	NV5	1	1
4	503558601	SPANNER	NV4	1	1
5	503621201	GREASE		1	1
6	501911401	GREASE GUN		1	1
7	503969002	KIT	WINTER	1	
8	503212716	SCREW CRPANT		1	7
9	501834402	BAR COVER	"13"-16"	1	1
9	501834405	BAR COVER	"18"-22"	1	1
9	501834502	BAR COVER	"24"-28"	1	1
10	537145508	LABEL		1	1



N CS2165
CARBURETOR

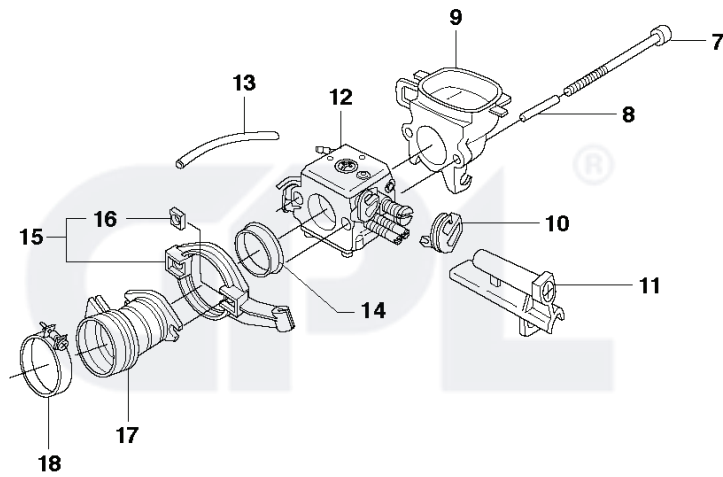
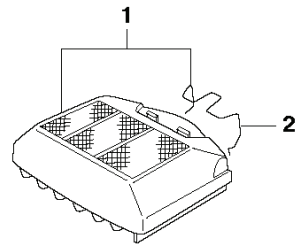
Walbro HD-6B
Walbro HD-12B EPA, EU



(B) 503 64 78-01
Set of gaskets

REF.	PART NO.	DESCRIPTION	REMARK	QTY.	KIT
1	503281804	CARBURETTOR		1	
1	503281805	CARBURETTOR	EPA, EU	1	
2	501466901	SCREW		1	
3	503799801	COVER		1	
4	501666901	GASKET		1	1, 44
5	502254701	DIAPHRAGM PUMP		1	1, 44
6	501666101	SCREEN		1	
7	503855901	FITTING		1	
8	503801401	FITTING		1	
9	503855801	VALVE		1	
10	537019101	SHAFT ASSY		1	
11	537018901	LEVER		1	1, 10
12	501468701	SCREW		1	
13	537019001	SPRING		1	
14	501468501	BALL		1	
15	501468401	SPRING		1	
16	501468701	SCREW		1	
17	503799601	LEVER		1	
18	503801501	WASHER		1	
19	503800001	VALVE		1	
20	503800901	SPRING		1	
21	530035015	SCREW		1	
22	503799901	SHAFT		1	
23	501667801	SPRING		1	
24	503800801	SCREW		1	
25	501667701	SPRING	EPA, EU	1	
26	503801101	NEEDLE		1	
26	503943901	NEEDLE	H	1	
27	503913901	LIMITER CAP	H EPA, EU	1	
28	501667701	SPRING	EPA, EU	1	
29	504027213	NEEDLE-IDLE SPEED		1	
29	503943801	NEEDLE	L	1	
30	503914001	LIMITER CAP	L EPA, EU	1	
31	503915401	RETAINER	EPA, EU	1	
32	503574201	PLUG	EPA, EU	1	
33	503800401	NOZZLE		1	
33	503943601	NOZZLE ASSY	EPA, EU	1	
34	503688201	JET		1	
34	537003301	JET	EPA, EU	1	
35	503562401	SPRING		1	
35	503943701	SPRING	EPA, EU	1	
36	503563401	NEEDLE VALVE		1	
37	501668301	LEVER		1	
38	505520125	PIN		1	
39	505316717	SCREW		1	
40	504130905	GASKET		1	1, 44
41	503800701	DIAPHRAGM		1	1, 44
42	537077601	COVER		1	
43	503108701	SCREW		4	
44	503647801	REPAIR KIT	B = Set of gaskets	1	

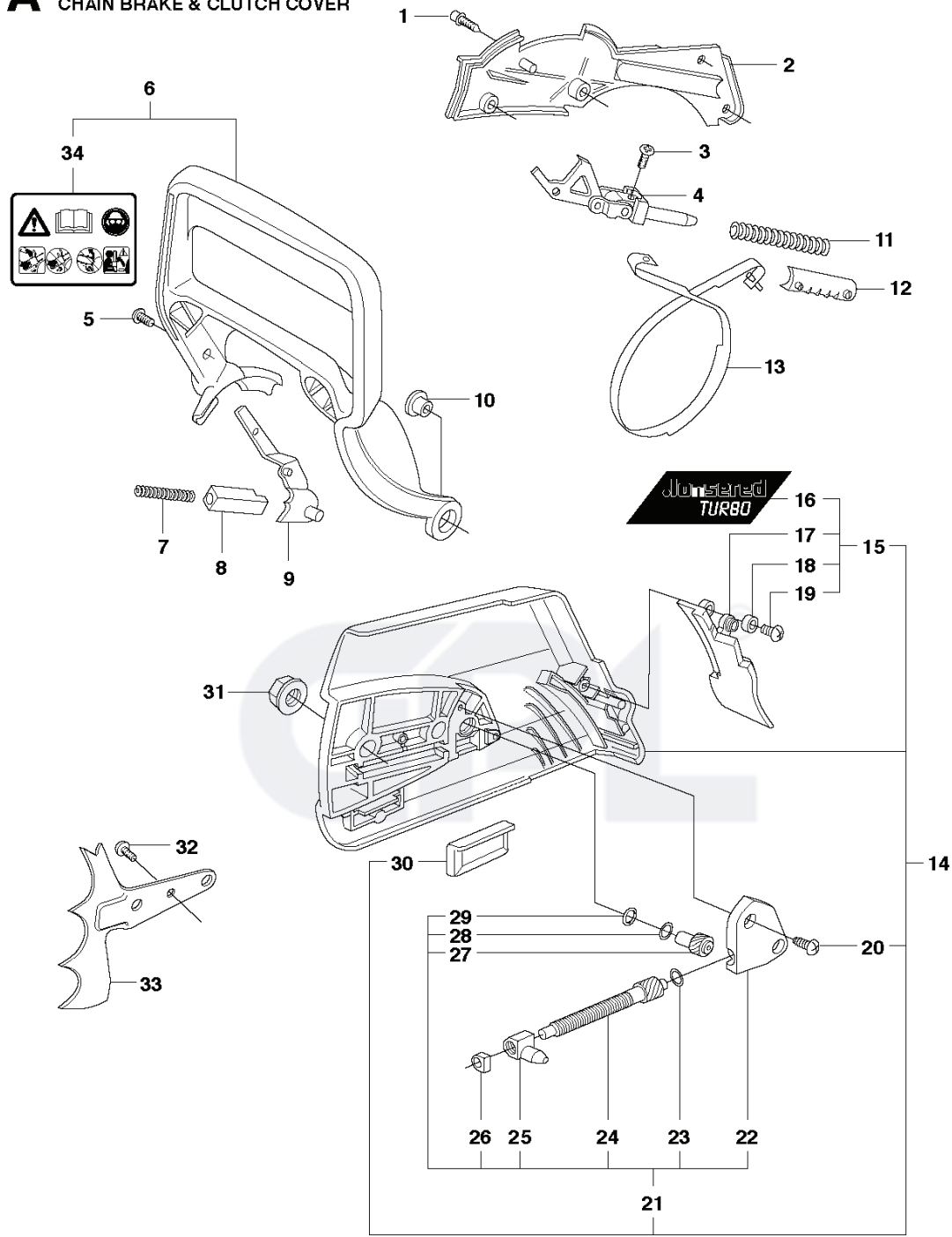
G CS2165
CARBURETOR & AIR FILTER



REF.	PART NO.	DESCRIPTION	REMARK	QTY.	KIT
1	503820701	AIR FILTER ASSY	80μ	1	
1	503820702	AIR FILTER ASSY	44μ	1	
1	503820703	AIR FILTER ASSY	Felt	1	
2	503735401	CLAMP		1	
7	725530555	SCREW IHSCM		2	
8	503701101	TUBE		2	
9	503627501	FILTER HOLDER		1	
10	503684101	LEVER		1	
11	503665301	GUIDE BUSHING		1	
11	503667401	GUIDE BUSHING	EPA, EU	1	
12	503281804	CARBURETTOR		1	
12	503281805	CARBURETTOR	EPA, EU	1	
13	503400606	IMPULSE HOSE		1	
14	503431801	SUPPORT SLEEVE		1	
15	503712701	FLANGE		1	
16	503226503	SQUARE NUT		2	15
17	503964501	INLET PIPE		1	
18	505283301	HOSE CLAMP		1	

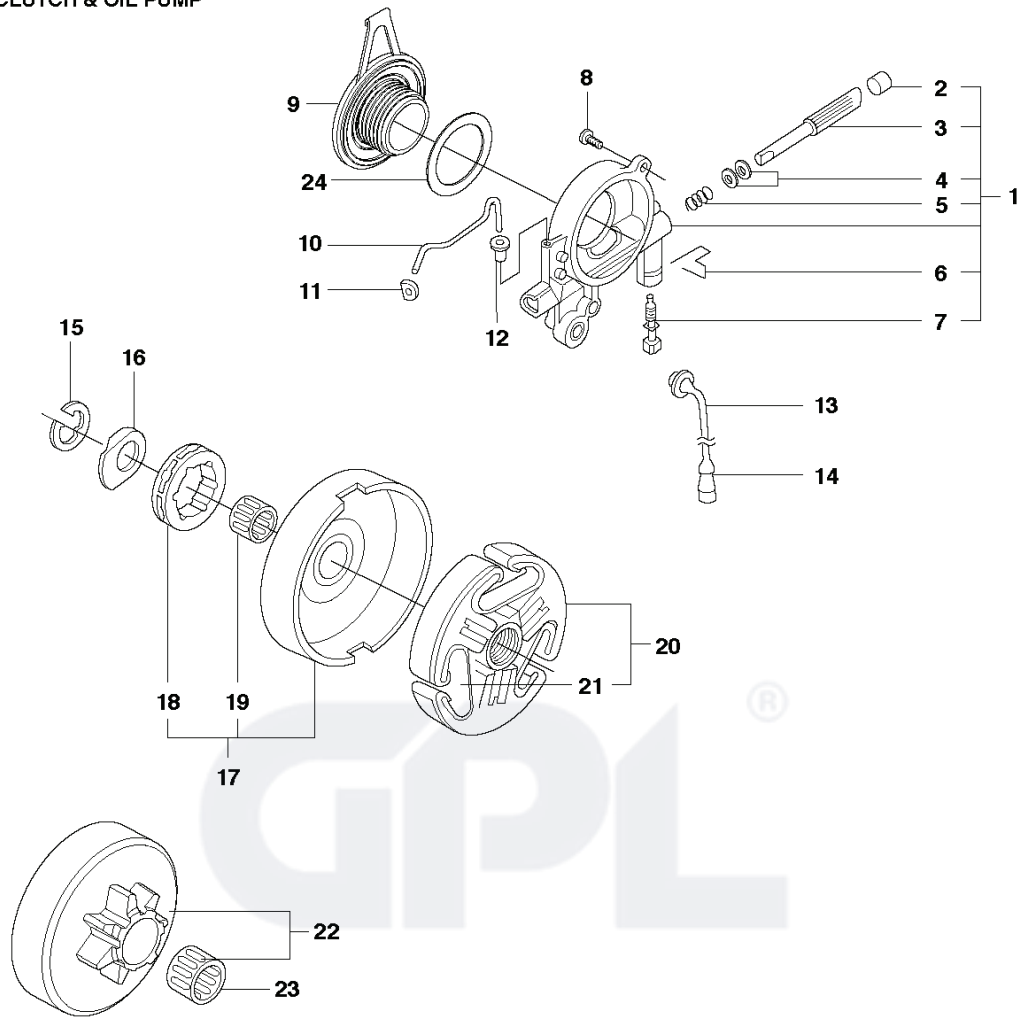


A CS2165
CHAIN BRAKE & CLUTCH COVER



REF.	PART NO.	DESCRIPTION	REMARK	QTY.	KIT
1	503200212	SCREW IHSCFM		4	
2	503751103	HUB CAP		1	
3	503212810	SCREW CCRPANT		1	
4	501875303	KNEE JOINT		1	
5	503202512	SCREW IHSCM		1	
6	503719304	HAND GUARD		1	
7	503436501	POSITION SPRING		1	
8	503838102	LOCK		1	
9	537008702	BRAKE LEVER		1	
10	503775201	BUSHING		1	
11	503709901	BRAKE SPRING		1	
12	503792702	SUPPORT		1	
13	503752202	BRAKE BAND ASSY		1	
14	537072001	CLUTCH COVER ASSY		1	
15	537072071	CLUTCH COVER ASSY		1	14
16	537244301	LABEL		1	14, 15
17	503762902	CHIP GUARD		1	14, 15
18	503897001	SLEEVE		1	14, 15
19	503212810	SCREW CCRPANT		1	14, 15
20	503212810	SCREW CCRPANT		2	14
21	537044102	CHAIN TENSIONER		1	14
22	537016801	COVER		1	14, 21
23	503230066	WASHER		1	14, 21
24	537079502	WORM SCREW		1	14, 21
25	503998301	PAWL		1	14, 21
26	537017401	BEARING SLEEVE		1	14, 21
27	537079402	WORM WHEEL		1	14, 21
28	503230063	WASHER		1	14, 21
29	740480702	O-RING		1	14, 21
30	501517201	CHAIN GUIDE		1	14
31	503220001	HEXAGON NUT		2	
32	503212810	SCREW CCRPANT		1	
33	503719701	SPIKE	WRAP	1	
34	503987401	LABEL		1	

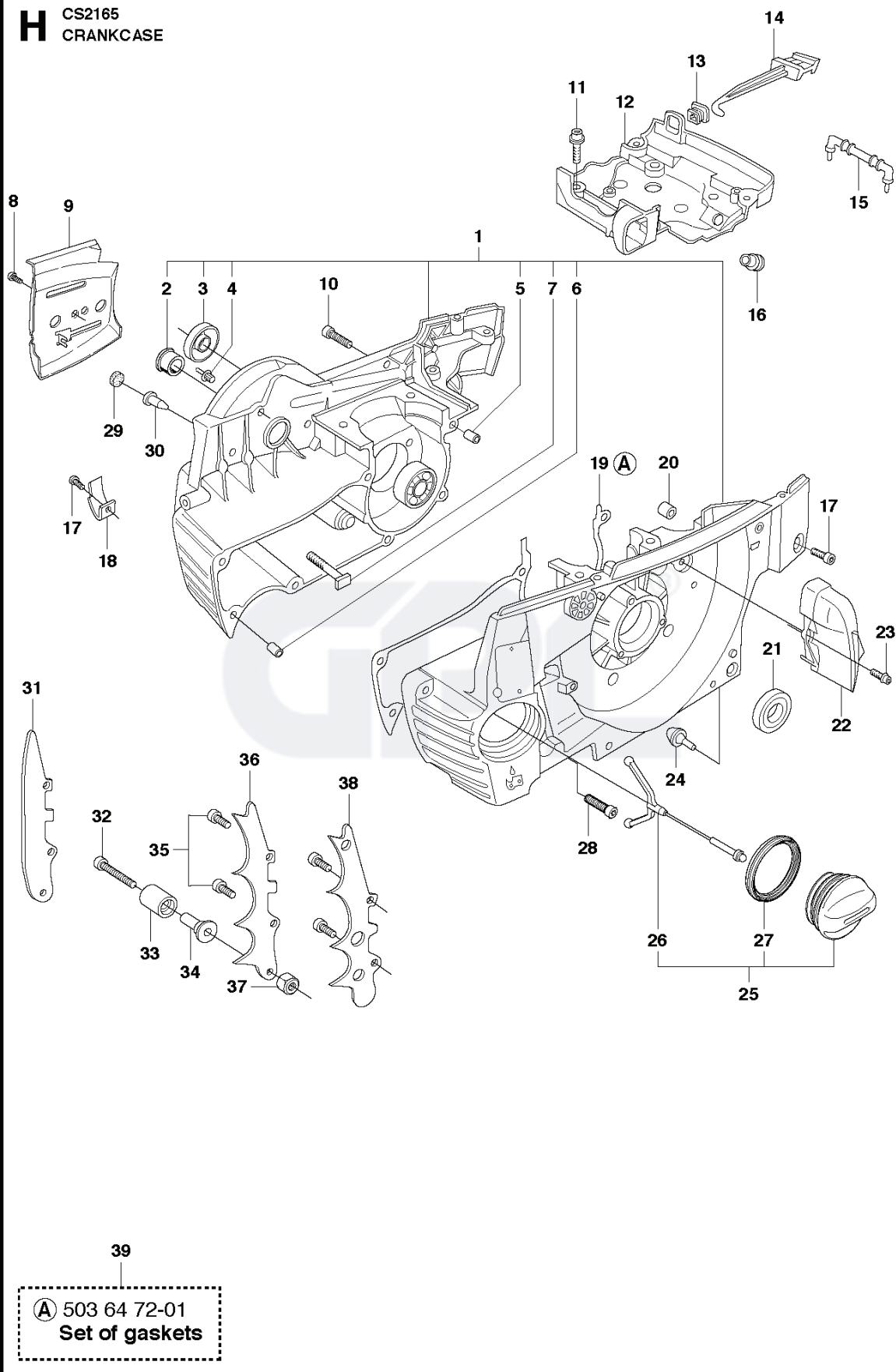
B CS2165
CLUTCH & OIL PUMP



REF.	PART NO.	DESCRIPTION	REMARK	QTY.	KIT
1	503521303	OIL PUMP ASSY		1	
2	503624901	SEALING PLUG		1	1
3	503521501	PUMP PISTON		1	1
4	503230004	WASHER		2	1
5	501615801	SPRING		1	1
6	503813001	SPRING		1	1
7	503811301	SCREW		1	1
8	725532956	SCREW IHSCM		2	
9	537207805	PUMP PINION		1	
10	503774301	OIL PIPE		1	
11	503644701	BUSHING		1	
12	504300026	SEALING		1	
13	503426701	OIL HOSE		1	
14	501544102	OIL SCREEN		1	
15	503272101	E-CLIP		1	
16	503752401	WASHER		1	
17	503932471	CLUTCH DRUM	"3/8"x7T"	1	
17	503932472	CLUTCH DRUM	"3/8"x8T"	1	
18	501598002	RIM	"3/8"x7T"	1	17
18	505303661	RIM	"3/8"x8T"	1	17
19	503432001	NEEDLE HOLDER		1	17
20	503744401	CLUTCH ASSY		1	
21	537360601	CLUTCH SPRING		3	
22	503861703	CLUTCH DRUM ASSY	"3/8"x7T"	1	
23	503432001	NEEDLE HOLDER		1	
24	503230059	WASHER		1	

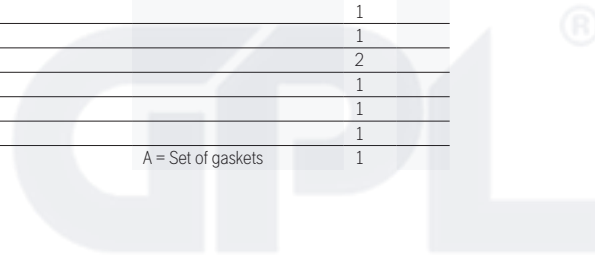


H CS2165
CRANKCASE

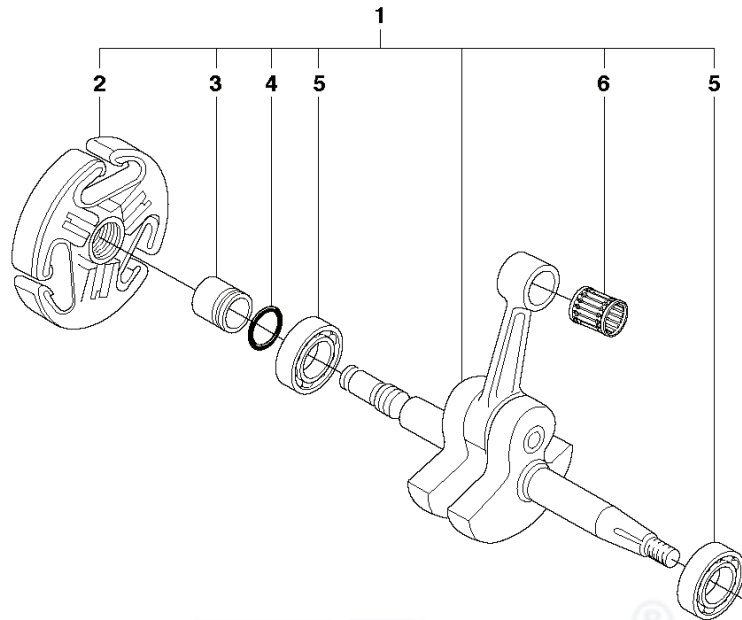


(A) 503 64 72-01
Set of gaskets

REF.	PART NO.	DESCRIPTION	REMARK	QTY.	KIT
1	503626877	CRANKCASE ASSY		1	
2	503967001	BUSHING		1	1
3	503260301	SEALING RING		1	1
4	503751801	PIN		1	1
5	501270801	GUIDE BUSHING		1	1
6	501270801	GUIDE BUSHING		1	1
7	537051301	BAR BOLT		2	1
8	503212810	SCREW CCRPANT		1	
9	537046601	KIT		1	
10	503749301	SCREW		1	
11	503200212	SCREW IHSCFM		4	
12	503627304	CARBURETTOR		1	
13	503734401	GROMMET		1	
14	503705101	CHOKE CONTROL		1	
15	503678601	STÖTTA FÖRGASARE		1	
16	537095401	GROMMET		1	
17	725533165	SCREW IHSCM		2	
18	501686801	CHAIN CATCHER		1	
19	503627201	GASKET		1	39
20	503857301	COVER		1	
21	505275719	SEALING RING		1	
22	503628401	AIR NOZZLE		1	
23	503200212	SCREW IHSCFM		1	
24	503846101	BUFFER		1	
25	537215201	TANK CAP ASSY		1	
26	503578901	HOLDER		1	25
27	537215001	SEALING		1	25
28	503200870	SCREW IHSCM		6	
29	537403501	FILTER		1	
30	530026119	CHECK VALVE		1	
31	537042901	BUMPER		1	
32	503200780	SCREW IHSCFM		1	
33	537024401	WEAR PROTECTION		1	
34	537089201	CHAIN CATCHER		1	
35	503200216	SCREW IHSCFM		2	
36	537017101	SPIKE		1	
37	503222401	LOCK NUT		1	
38	503647902	SPIKE		1	
39	503647201	GASKET KIT	A = Set of gaskets	1	



E CS2165
CRANKSHAFT

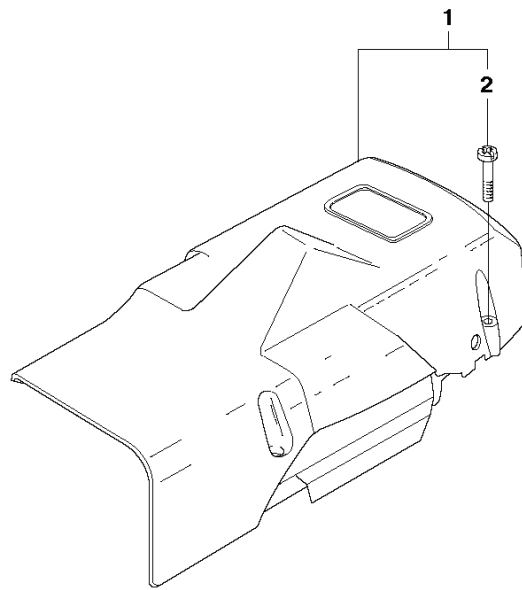


GPL®

REF.	PART NO.	DESCRIPTION	REMARK	QTY.	KIT
1	503748703	CRANKSHAFT ASSY		1	
2	503744401	CLUTCH ASSY		1	1
3	503779101	SLEEVE		1	1
4	503263019	O-RING		1	1
5	738220225	BALL BEARING		2	1
6	503255601	NEEDLE BEARING		1	1

GPL®


C CS2165
CYLINDER COVER

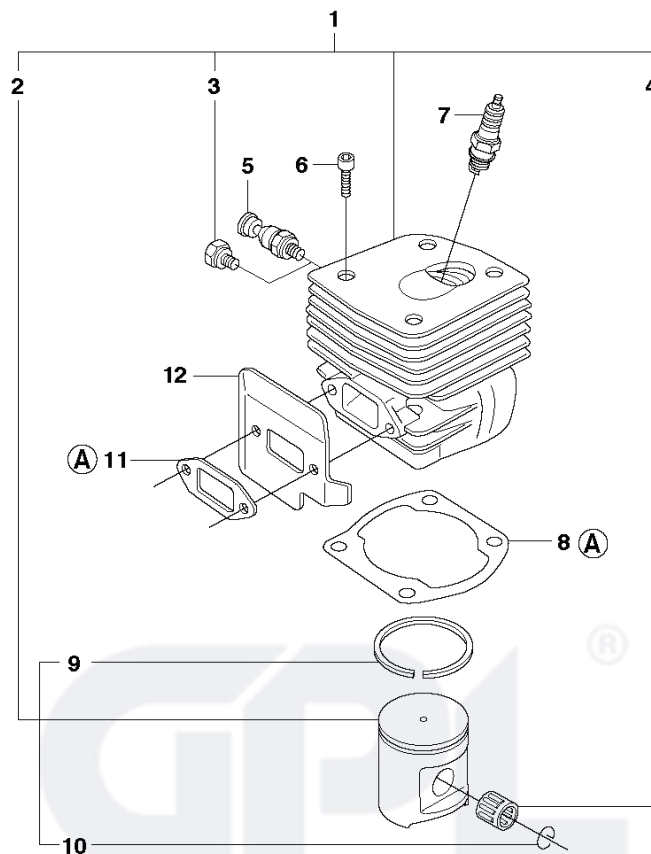


GPL®

REF.	PART NO.	DESCRIPTION	REMARK	QTY.	KIT
1	503697401	CYLINDER COVER ASSY		1	
2	503203425	SCREW CCRPANMO		3	1



D CS2165
CYLINDER PISTON 



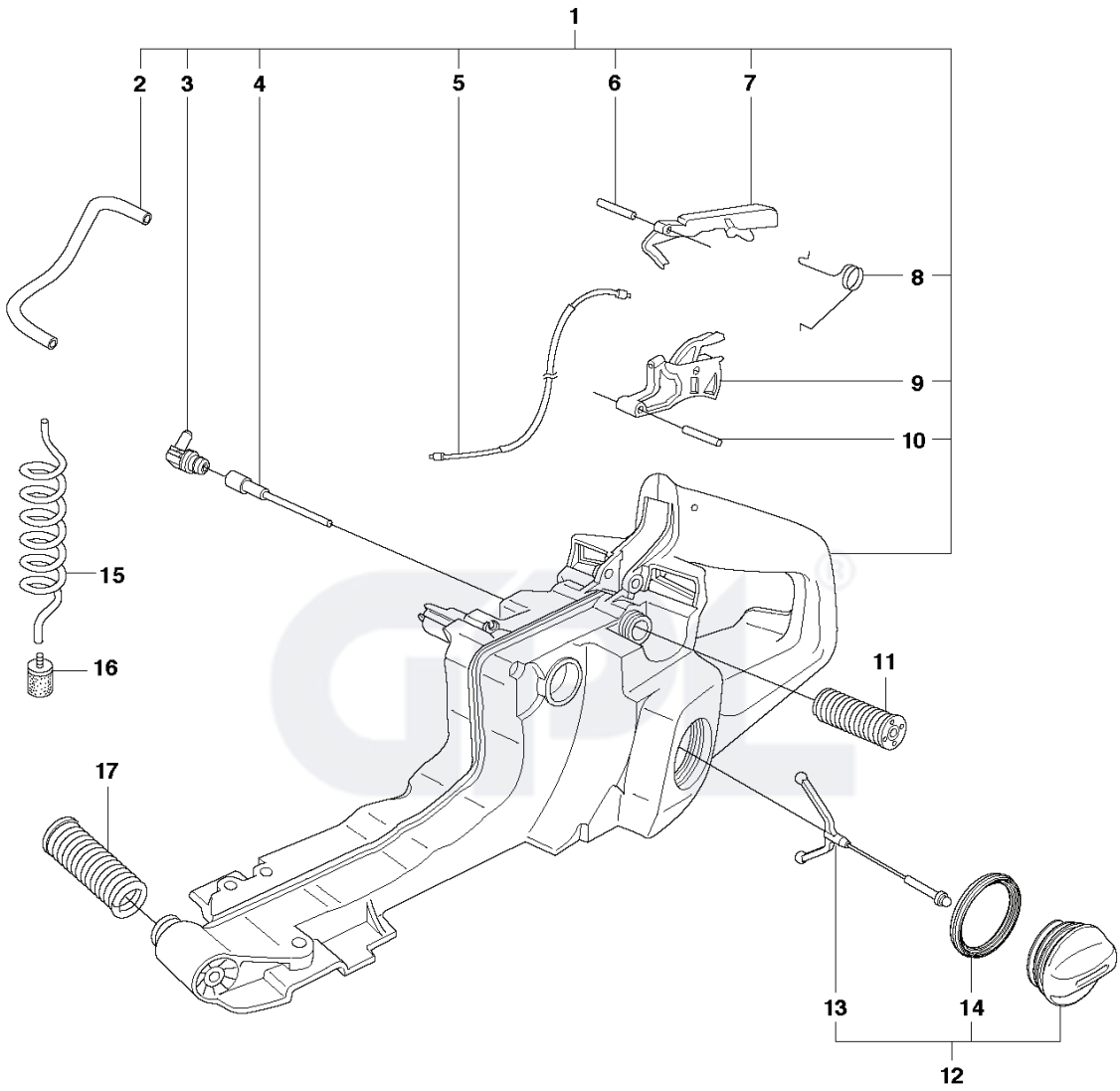
13

(A) 503 64 72-01
Set of gaskets

REF.	PART NO.	DESCRIPTION	REMARK	QTY.	KIT
1	503939005	CYLINDER ASSY		1	
2	503691303	PISTON ASSY		1	1
3	503552201	PLUG		1	1
4	503255601	NEEDLE BEARING		1	1
5	503715301	DECOMPRESSION VALVE		1	
6	725533355	SCREW IHSCM		4	
7	503235108	SPARK PLUG	RCJ 7Y	1	
8	503961501	GASKET		1	13
9	503289015	PISTON RING		1	1.2
10	737431200	SNAP RING		2	1.2
11	503775901	GASKET		1	13
12	503775802	HEAT DEFLECTOR		1	
13	503647201	GASKET KIT	A = Set of gaskets	1	



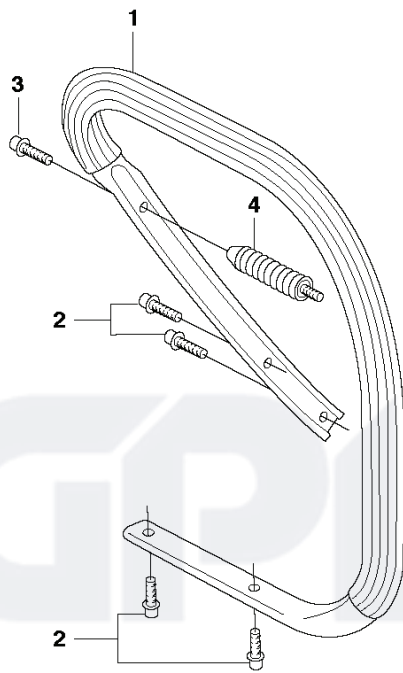
J CS2165
FUEL TANK



REF.	PART NO.	DESCRIPTION	REMARK	QTY.	KIT
1	503719171	FUEL TANK		1	
2	544324906	FUEL HOSE		1	1
3	537099301	CONNECTION BEND		1	1
4	537092201	TANK VENT ASSY		1	1
5	503717601	THROTTLE CABLE ASSY		1	1
6	720124020	PARALLEL PIN		1	1
7	503556602	THROTTLE LOCKOUT		1	1
8	503736401	SPRING		1	1
9	503829802	THROTTLE TRIGGER		1	1
10	720127220	PARALLEL PIN		1	1
11	503895601	ANTIVIBRATION ELEMENT	Std	1	
11	503895602	ANTIVIBRATION ELEMENT	Hard	1	
12	537215201	TANK CAP ASSY		1	
13	503578901	HOLDER		1	12
14	537215001	SEALING		1	12
15	544325002	FUEL HOSE		1	
16	503443201	FUEL FILTER		1	
17	503637601	ANTIVIBRATION ELEMENT	Std	1	
17	503637602	ANTIVIBRATION ELEMENT	Hard	1	



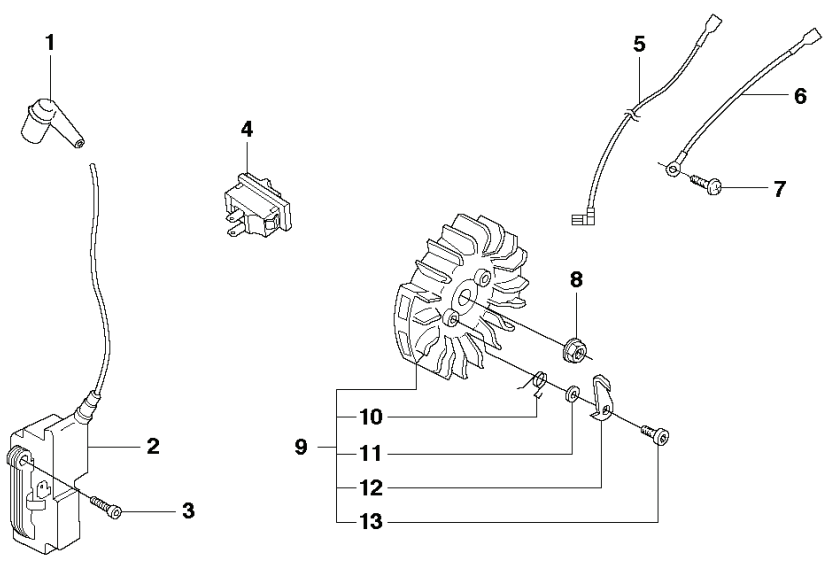
K CS2165
HANDLE



REF.	PART NO.	DESCRIPTION	REMARK	QTY.	KIT
1	503803001	HANDLE		1	
2	503214916	SCREW IHSCFT		4	
3	503210522	SCREW IHSCFT		1	
4	503637502	ANTIVIBRATION ELEMENT	Std	1	
4	503637503	ANTIVIBRATION ELEMENT	Hard	1	

GPL®

L CS2165
IGNITION SYSTEM

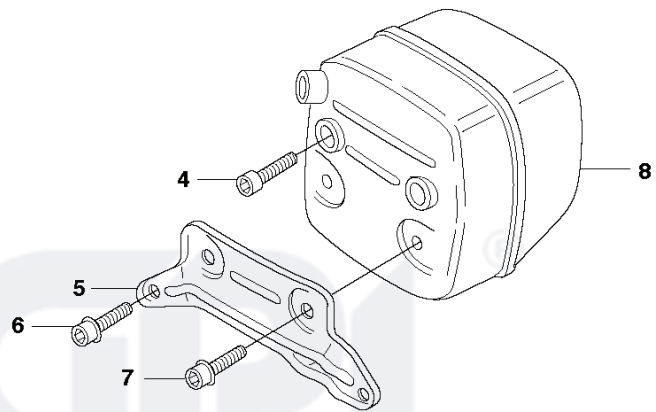
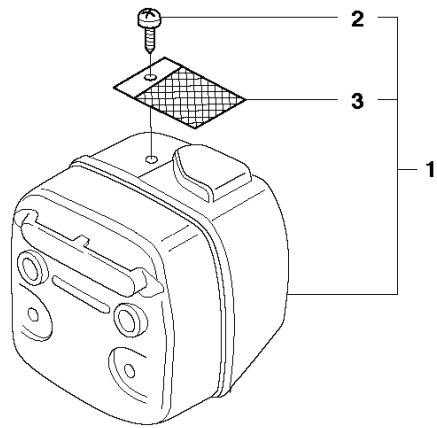


GPL®

REF.	PART NO.	DESCRIPTION	REMARK	QTY.	KIT
1	501485402	SPARK PLUG CAP		1	
2	544047101	IGNITION MODULE		1	
2	510115701	IGNITION MODULE	COT	1	
3	503200220	SCREW IHSCFM		2	
4	503718201	SWITCH		1	
5	503626101	CABLE		1	
6	503897601	CABLE		1	
7	503212810	SCREW CCRPANT		1	
8	503220401	NUT		1	
9	537051605	FLYWHEEL ASSY		1	
10	501673501	SPRING		2	9
11	503230042	WASHER		2	9
12	537015501	STARTER PAWL		2	9
13	501819901	SCREW		2	9



F CS2165
MUFFLER



REF.	PART NO.	DESCRIPTION	REMARK	QTY.	KIT
1	544029702	MUFFLER ASSY	DF	1	
2	724128759	SCREW CRPANM		1	1
3	503766402	SPARK ARRESTER SCREEN		1	1
4	725537055	SCREW IHSCM		2	
5	503766503	BRACKET		1	
6	503200774	SCREW IHSCFM		2	
7	503200702	SCREW IHSCFM		2	
8	544029501	MUFFLER ASSY	Tube	1	
8	544029502	MUFFLER ASSY	Jungle	1	

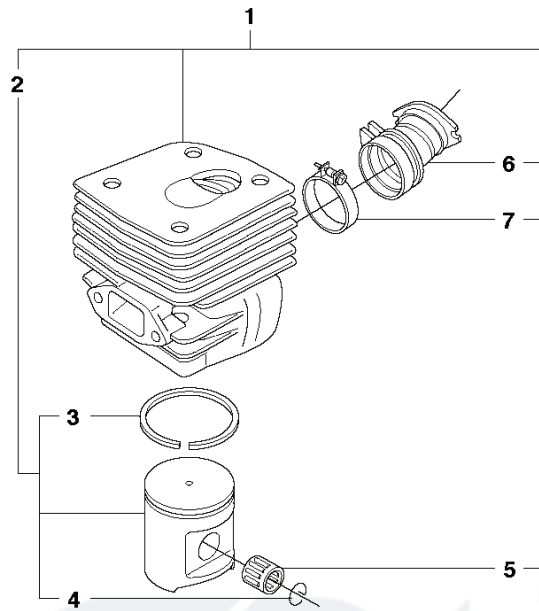




CS2165
SERVICE UPDATE



For 967 17 14-XX. Up to 20100400017

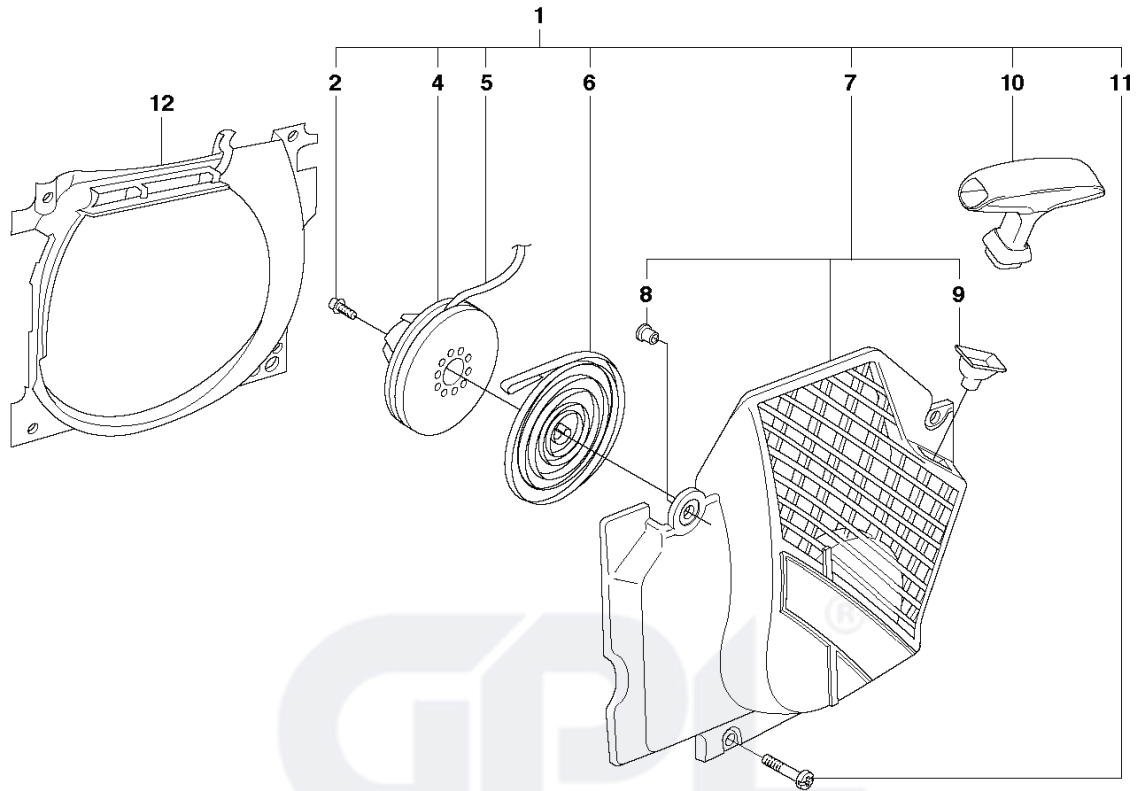


GPL[®]

REF.	PART NO.	DESCRIPTION	REMARK	QTY.	KIT
1	503939003	CYLINDER ASSY		1	
2	503691303	PISTON ASSY		1	1
3	503289015	PISTON RING		1	1,2
4	737431200	SNAP RING		2	1,2
5	503255601	NEEDLE BEARING		1	1
6	503964501	INLET PIPE		1	1
7	505283301	HOSE CLAMP		1	1

GPL®

M CS2165
STARTER



REF.	PART NO.	DESCRIPTION	REMARK	QTY.	KIT
1	503692871	STARTER ASSY		1	
2	503215216	SCREW IHSCFT		1	1
4	503859601	STARTER PULLEY		1	1
5	503432902	STARTER CORD		1	1
6	503787201	RECOIL SPRING		1	1
7	503692902	STARTER HOUSING		1	1
8	537086701	BUSHING		1	1.7
9	501630601	SLEEVE		1	1.7
10	537196501	STARTER HANDLE		1	1.7
11	544080301	SCREW		4	1
12	503628301	AIR CONDUCTOR		1	

