

CS2186, EPA, 2002-08



SPARE PARTS LIST

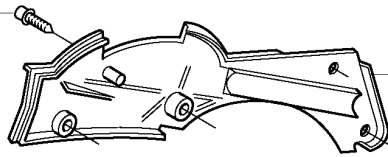
A

*compl 537 19 57-01

503 20 07-12 (x4)

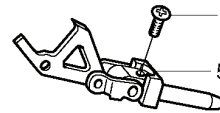
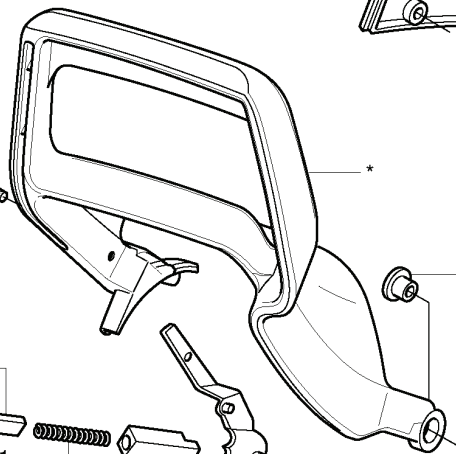


503 98 74-01*



503 75 11-03

503 20 25-12

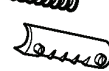


503 21 28-10

501 87 53-03

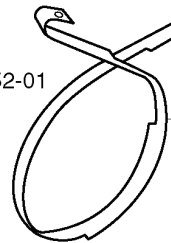


503 70 99-01



503 79 27-01

503 77 52-01



503 75 22-01

537 01 67-01

503 43 65-01

503 83 81-02

537 00 87-02

**537 07 20-71

537 24 43-01

503 21 28-10

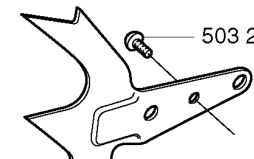
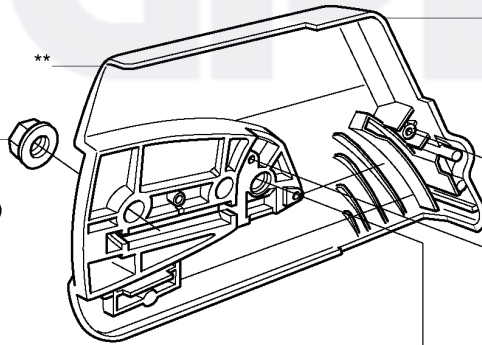
503 89 70-01

503 76 29-02



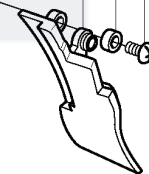
**compl 537 07 20-02

503 22 00-01 (x2)



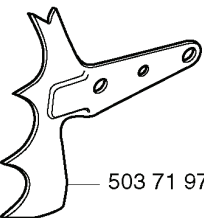
503 21 28-10

503 92 27-01



537 19 06-01**

503 21 28-10**



503 71 97-01

**537 04 41-02

740 48 07-02

503 23 00-63

537 07 94-01

503 21 28-10** (x2)

537 01 74-01

503 99 83-01

537 07 95-01

503 23 00-66

537 01 68-01

REF.	PART NO.	DESCRIPTION	REMARK	QTY.	KIT
503 20 07-12	503200712	SCREW IHSCFM		4	
537 19 57-01	537195701	HAND GUARD		1	
503 98 74-01	503987401	LABEL		1	
503 20 25-12	503202512	SCREW IHSCM		1	
537 01 67-01	537016701	WEAR PROTECTION		1	
503 43 65-01	503436501	POSITION SPRING		1	
503 83 81-02	503838102	LOCK		1	
537 00 87-02	537008702	BRAKE LEVER		1	
537 07 20-02	537072002	CLUTCH COVER ASSY		1	
503 22 00-01	503220001	HEXAGON NUT		2	
503 92 27-01	503922701	SPIKE		1	
537 04 41-02	537044102	CHAIN TENSIONER		1	
503 71 97-01	503719701	SPIKE		1	
537 01 68-01	537016801	COVER		1	
503 23 00-66	503230066	WASHER		1	
537 07 95-01	537079501	WORM SCREW		1	
503 99 83-01	503998301	PAWL		1	
537 01 74-01	537017401	BEARING SLEEVE		1	
537 07 94-01	537079401	WORM WHEEL		1	
503 23 00-63	503230063	WASHER		1	
740 48 07-02	740480702	O-RING		1	
537 19 06-01	537190601	CHAIN GUIDE		1	
503 76 29-02	503762902	CHIP GUARD		1	
503 89 70-01	503897001	SLEEVE		1	
537 24 43-01	537244301	LABEL		1	
537 07 20-71	537072071	CLUTCH COVER ASSY		1	
503 77 52-01	503775201	BUSHING		1	
503 75 22-01	503752201	BRAKE BAND ASSY		1	
503 79 27-01	503792701	SUPPORT		1	
503 70 99-01	503709901	BRAKE SPRING		1	
501 87 53-03	501875303	KNEE JOINT		1	
503 21 28-10	503212810	SCREW CCRPANT		1	
503 75 11-03	503751103	HUB CAP		1	

E *compl 503 99 34-73

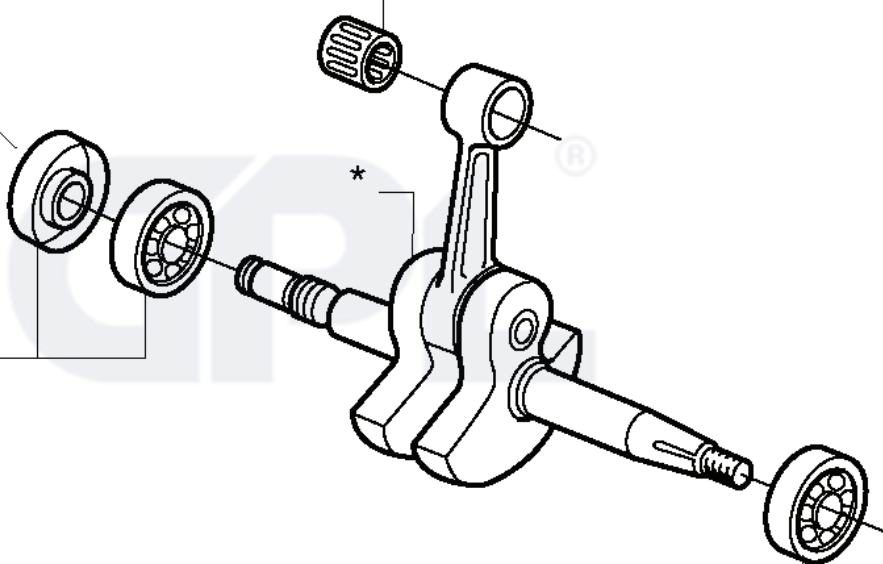
503 26 14-01

503 25 61-01*

*503 25 12-01

*

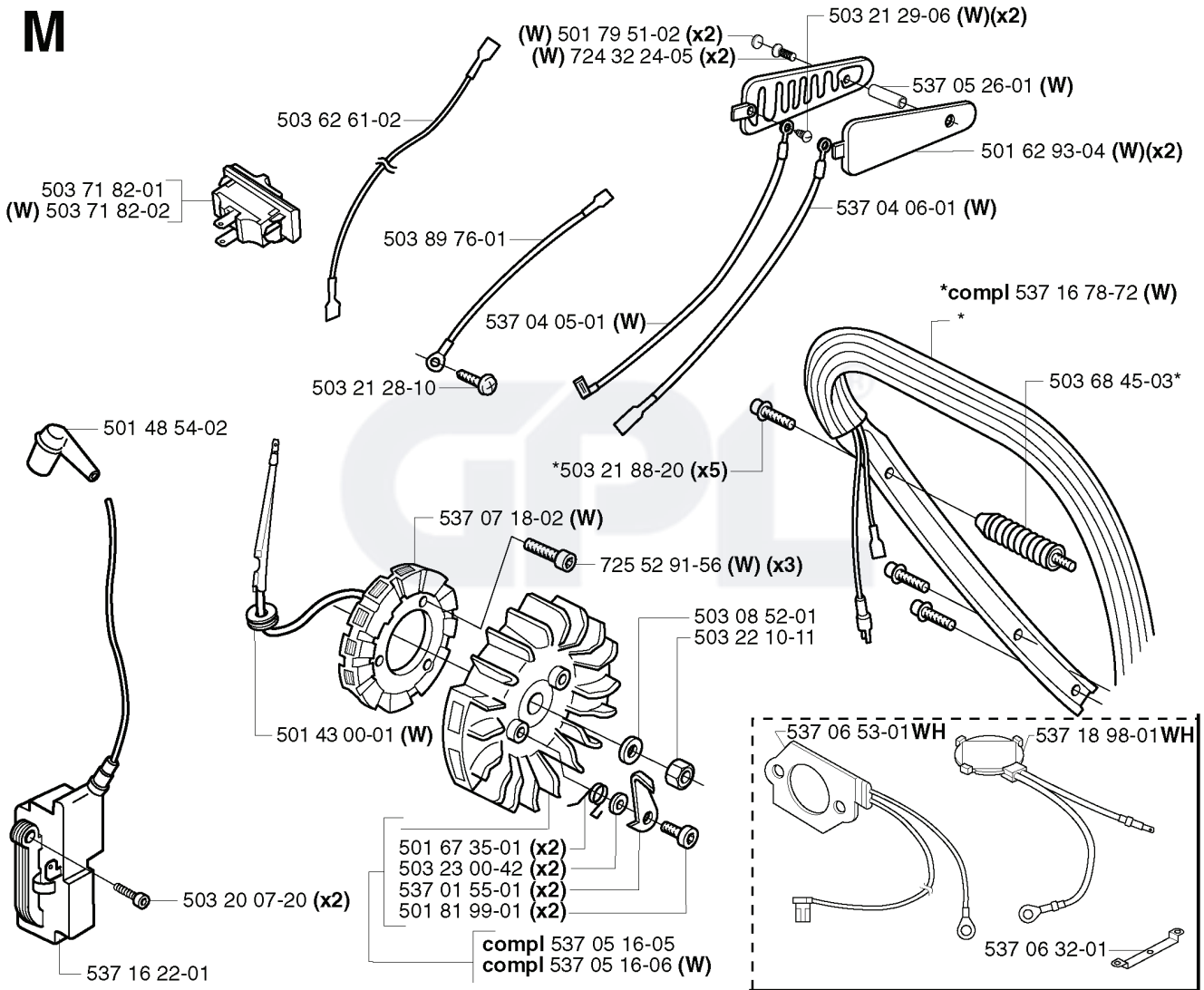
*738 22 03-25



REF.	PART NO.	DESCRIPTION	REMARK	QTY.	KIT
503 99 34-73	503993473	CRANKSHAFT		1	
503 26 14-01	503261401	SEALING		1	
503 25 12-01	503251201	BALL BEARING		1	
738 22 03-25	738220325	BALL BEARING		1	
503 25 61-01	503256101	NEEDLE BEARING		1	

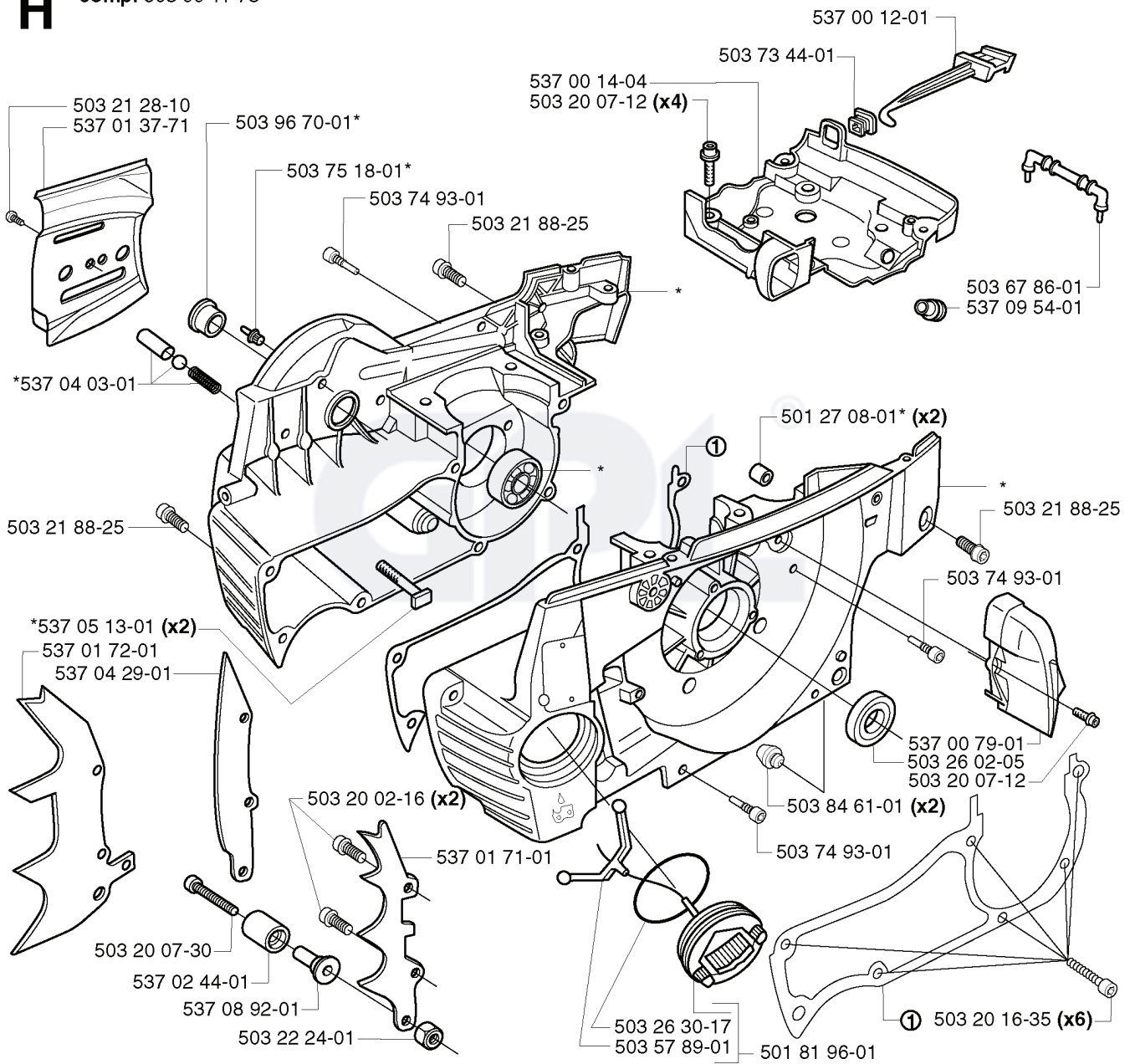


M



REF.	PART NO.	DESCRIPTION	REMARK	QTY.	KIT
5036261-02	503626102	CABLE		1	
5037182-01	503718201	SWITCH		1	
5037182-02	503718202	SWITCH	W	1	
5014854-02	501485402	SPARK PLUG CAP		1	
5014300-01	501430001	CABLE GROMMET	W	1	
5032007-20	503200720	SCREW IHSCFM		2	
5371622-01	537162201	IGNITION SYSTEM		1	
5370516-06	537051606	FLYWHEEL ASSY	W	1	
5370516-05	537051605	FLYWHEEL ASSY		1	
5018199-01	501819901	SCREW		2	
5370155-01	537015501	STARTER PAWL		2	
5032300-42	503230042	WASHER		2	
5016735-01	501673501	SPRING		2	
5370718-02	537071802	STATOR ASSY	W	1	
5032128-10	503212810	SCREW CCRPANT		1	
5038976-01	503897601	CABLE		1	
5017951-02	501795102	COVER WASHER	W	2	
7243224-05	724322405	SCREW CRCSFM	W	2	
5370405-01	537040501	CABLE	W	1	
5032188-20	503218820	SCREW IHSCCT		5	
7255291-56	725529156	SCREW IHSCM	W	3	
5030852-01	503085201	WASHER		1	
5032210-11	503221011	HEXAGON NUT		1	
5370653-01	537065301	FOIL ELEMENT	WH	1	
5370632-01	537063201	RETAINER		1	
5371898-01	537189801	THERMOSTAT ASSY	WH	1	
5036845-03	503684503	ANTIVIBRATION ELEMENT		1	
5371678-72	537167872	FRONT HANDLE ASSY	W	1	
5370406-01	537040601	CABLE	W	1	
5016293-04	501629304	HANDLE INSERT	W	2	
5370526-01	537052601	SPACER	W	1	
5032129-06	503212906	SCREW CCRPANT	W	2	

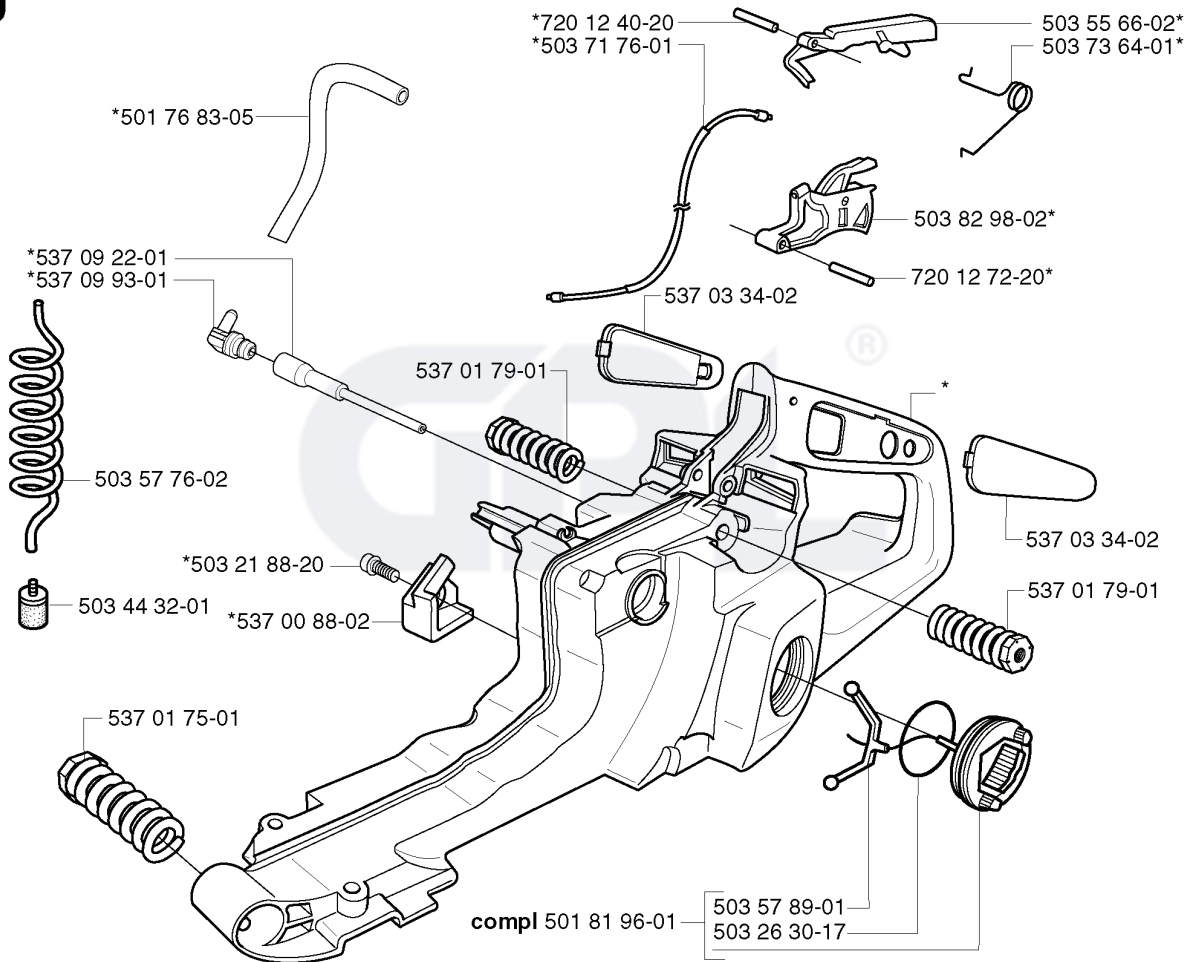
H *compl 503 99 11-73



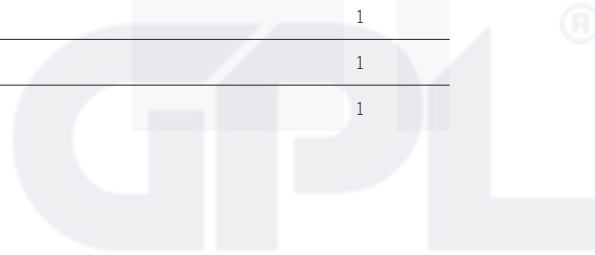
REF.	PART NO.	DESCRIPTION	REMARK	QTY.	KIT
5039911-73	503991173	CRANKCASE ASSY		1	
5032128-10	503212810	SCREW CCRPANT		1	
5370137-71	537013771	CHAIN GUIDE PLATE		1	
5370403-01	537040301	VALVE		1	
5370513-01	537051301	BAR BOLT		2	
5370172-01	537017201	SPIKE		1	
5370429-01	537042901	BUMPER		1	
5032007-30	503200730	SCREW IHSCFM		1	
5370244-01	537024401	WEAR PROTECTION		1	
5370892-01	537089201	CHAIN CATCHER		1	
5032224-01	503222401	LOCK NUT		1	
5370171-01	537017101	SPIKE		1	
5032002-16	503200216	SCREW IHSCFM		2	
5032188-25	503218825	SCREW IHSCFT		1	
5037518-01	503751801	PIN		1	
5039670-01	503967001	BUSHING		1	
5370014-04	537001404	CARBURETTOR		1	
5032630-17	503263017	O-RING		1	
5035789-01	503578901	HOLDER		1	
5018196-01	501819601	TANK CAP ASSY		1	
5032016-35	503201635	SCREW IHSCFM		6	
5038461-01	503846101	BUFFER		2	
5032007-12	503200712	SCREW IHSCFM		1	
5032602-05	503260205	SEALING RING		1	
5370079-01	537007901	AIR NOZZLE		1	
5037493-01	503749301	SCREW		1	
5012708-01	501270801	GUIDE BUSHING		2	
5370954-01	537095401	GROMMET		1	
5036786-01	503678601	STÖTTA FÖRGASARE		1	
5037344-01	503734401	GROMMET		1	
5370012-01	537001201	CHOKE CONTROL		1	

J

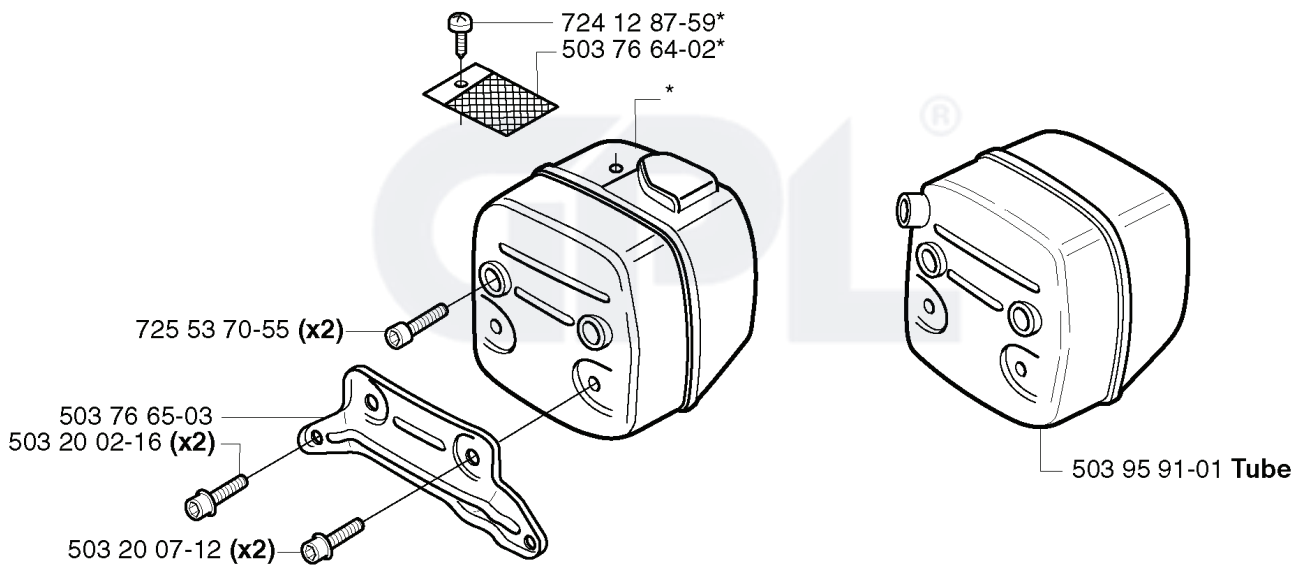
*compl 537 00 03-72



REF.	PART NO.	DESCRIPTION	REMARK	QTY.	KIT
537 00 03-72	537000372	FUEL TANK		1	
501 76 83-05	501768305	FUEL HOSE		1	
537 09 22-01	537092201	TANK VENT ASSY		1	
537 09 93-01	537099301	CONNECTION BEND		1	
503 57 76-02	503577602	FUEL HOSE		1	
503 21 88-20	503218820	SCREW IHSCT		1	
503 44 32-01	503443201	FUEL FILTER		1	
537 01 75-01	537017501	INSULATOR		1	
537 00 88-02	537008802	COVER		1	
503 71 76-01	503717601	THROTTLE CABLE ASSY		1	
720 12 40-20	720124020	PARALLEL PIN		1	
537 03 34-02	537033402	HANDLE INSERT		1	
501 81 96-01	501819601	TANK CAP ASSY		1	
503 26 30-17	503263017	O-RING		1	
503 57 89-01	503578901	HOLDER		1	
537 01 79-01	537017901	INSULATOR		1	
720 12 72-20	720127220	PARALLEL PIN		1	
503 82 98-02	503829802	THROTTLE TRIGGER		1	
503 73 64-01	503736401	SPRING		1	
503 55 66-02	503556602	THROTTLE LOCKOUT		1	



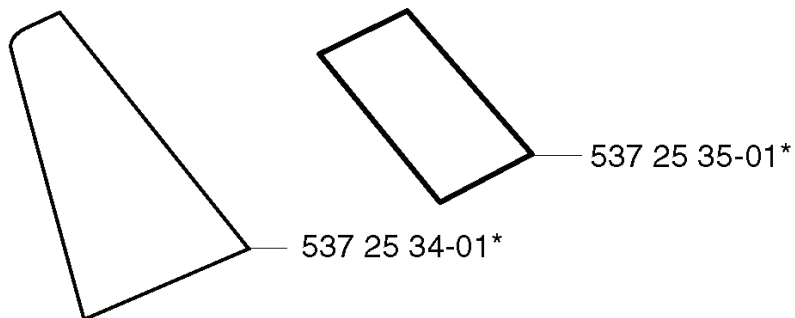
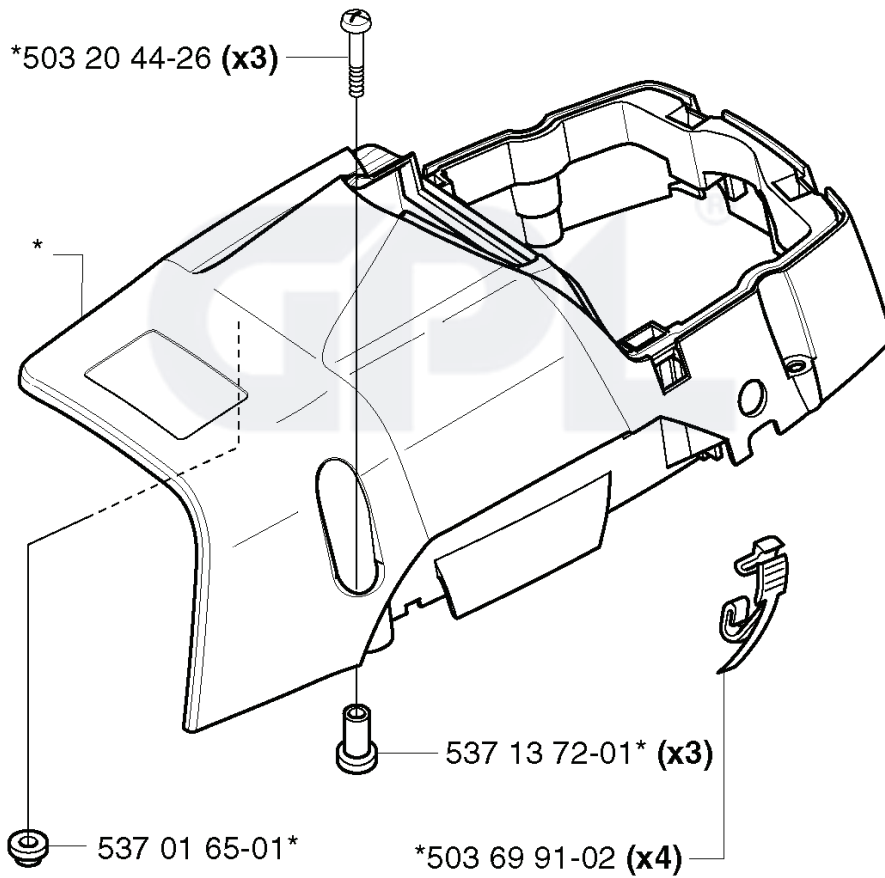
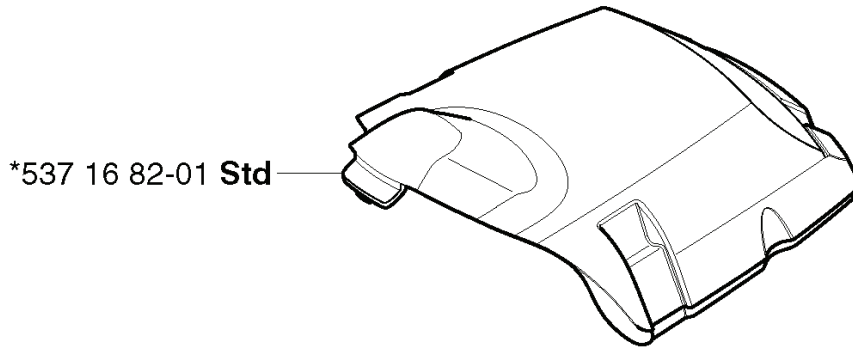
F compl 503 95 90-01 FG
compl 503 95 90-03 Jungle
*compl 503 95 90-04 DF



REF.	PART NO.	DESCRIPTION	REMARK	QTY.	KIT
503 95 90-01	503959001	MUFFLER ASSY	FG	1	
503 95 90-03	503959003	MUFFLER ASSY	JUNGLE	1	
503 95 90-04	503959004	MUFFLER ASSY	DF	1	
725 53 70-55	725537055	SCREW IHSCM		2	
503 76 65-03	503766503	BRACKET		1	
503 20 02-16	503200216	SCREW IHSCFM		2	
503 20 07-12	503200712	SCREW IHSCFM		2	
503 76 64-02	503766402	SPARK ARRESTER SCREEN		1	
724 12 87-59	724128759	SCREW CRPANM		1	
503 95 91-01	503959101	MUFFLER PIPE	TUBE	1	



C *compl 537 16 80-01 Std

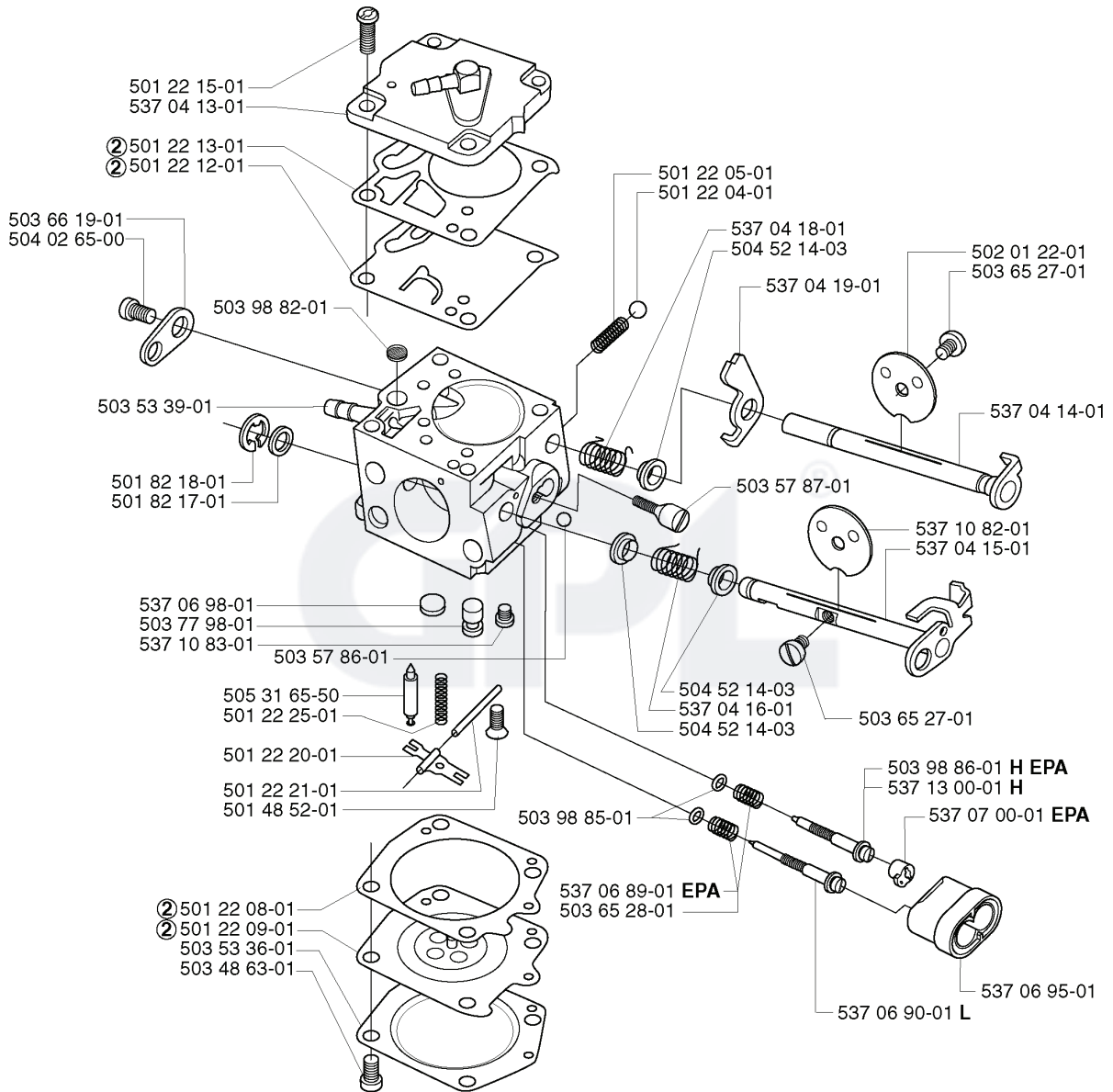


REF.	PART NO.	DESCRIPTION	REMARK	QTY.	KIT
537 16 80-01	537168001	CYLINDER COVER ASSY	STD	1	
537 16 82-01	537168201	FILTER COVER	STD	1	
503 20 44-26	503204426	SCREW		3	
537 01 65-01	537016501	SUPPORT		1	
537 25 34-01	537253401	HEAT PROTECTOR		1	
537 25 35-01	537253501	HEAT PROTECTOR		1	
503 69 91-02	503699102	SNAP LOCKING		4	
537 13 72-01	537137201	SLEEVE		3	



P compl 503 28 04-13
compl 503 28 04-11 EPA

Tilotson HS 299A Tilotson HS 296A EPA



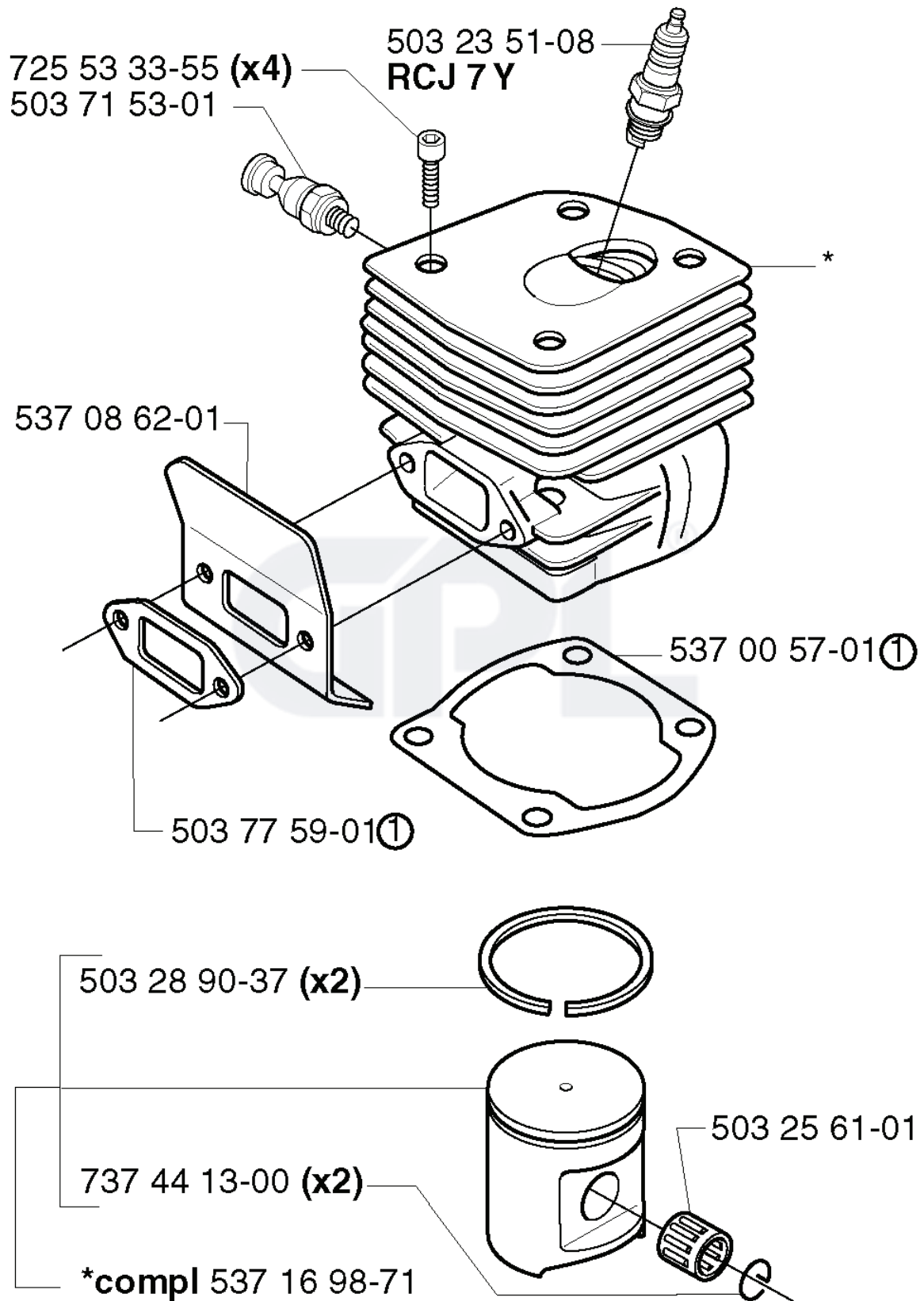
② 501 49 48-02
Packningssats
Set of gaskets
Dichtungssatz
Jeu de joints
Juego de juntas

REF.	PART NO.	DESCRIPTION	REMARK	QTY.	KIT
5032804-13	503280413	CARBURETTOR		1	
5032804-11	503280411	CARBURETTOR	EPA	1	
5012215-01	501221501	SCREW		1	
5370413-01	537041301	FUEL PUMP COVER		1	
5012213-01	501221301	GASKET	501 49 48-02 SET OF GASKETS	1	
5012212-01	501221201	DIAGRAM	501 49 48-02 SET OF GASKETS	1	
5036619-01	503661901	CHOKE LEVER		1	
5040265-00	504026500	SCREW		1	
5039882-01	503988201	SCREEN		1	
5035339-01	503533901	TUBE CONNECTOR		1	
5018218-01	501821801	THROTTLE SH.'E'RING		1	
5018217-01	501821701	WASHER		1	
5370698-01	537069801	PLUG WELCH		1	
5037798-01	503779801	CHECKVALVE ASSY		1	
5371083-01	537108301	JET		1	
5035786-01	503578601	BALL		1	
5053165-50	505316550	NEEDLE		1	
5012225-01	501222501	SPRING		1	
5012220-01	501222001	LEVER		1	
5012221-01	501222101	PIN		1	
5014852-01	501485201	SCREW		1	
5012208-01	501220801	GASKET	501 49 48-02 SET OF GASKETS	1	
5012209-01	501220901	DIAPHRAGM	501 49 48-02 SET OF GASKETS	1	
5035336-01	503533601	DIAPHRAGM		1	
5034863-01	503486301	SCREW		1	
5036528-01	503652801	SPRING		1	
5370689-01	537068901	SPRING	EPA	1	
5039885-01	503988501	RING		1	
5045214-03	504521403	THRO.RETU.SPR.SLEEVE		1	
5370416-01	537041601	SPRING		1	
5370690-01	537069001	NEEDLE	L	1	
5370695-01	537069501	MODULE		1	
5370700-01	537070001	LIMITER CAP	EPA	1	
5371300-01	537130001	NEEDLE	H	1	
5039886-01	503988601	NEEDLE	H EPA	1	
5370415-01	537041501	SHAFT ASSY		1	
5371082-01	537108201	THROTTLE SHUTTER		1	
5035787-01	503578701	IDLE SPEED SCREW		1	
5370414-01	537041401	CHOKE LEVER		1	
5036527-01	503652701	SCREW SHUTTER		1	
5020122-01	502012201	VALVE		1	

REF.	PART NO.	DESCRIPTION	REMARK	QTY.	KIT
537 04 19-01	537041901	LEVER		1	
537 04 18-01	537041801	SPRING		1	
501 22 04-01	501220401	BALL		1	
501 22 05-01	501220501	SPRING		1	



D ***compl 537 16 97-71**



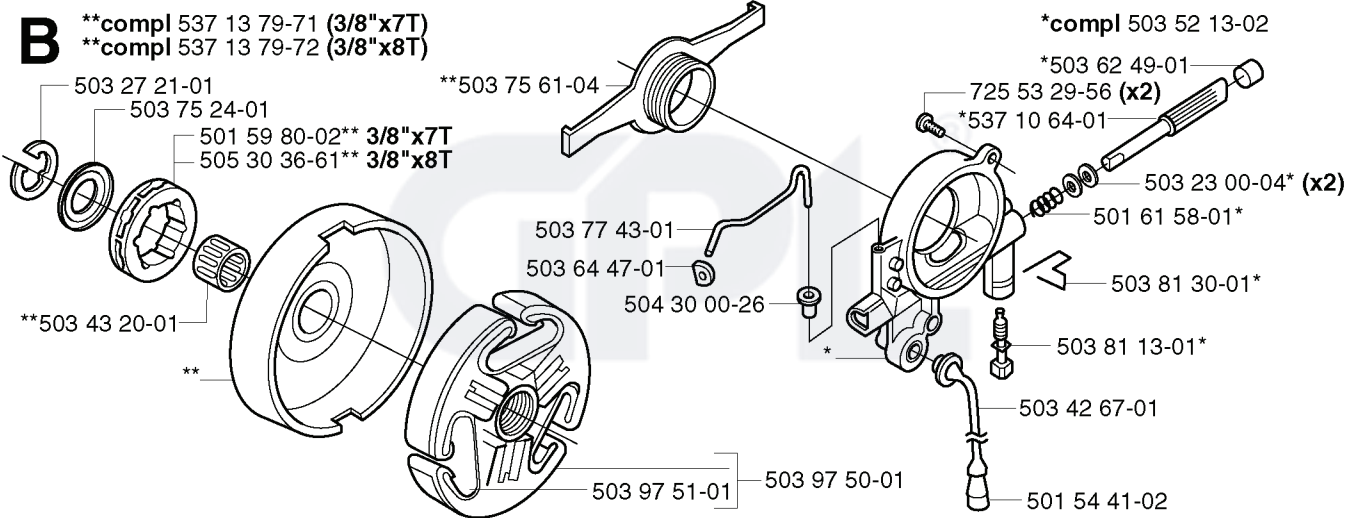
REF.	PART NO.	DESCRIPTION	REMARK	QTY.	KIT
537 16 97-71	537169771	CYLINDER ASSY		1	
725 53 33-55	725533355	SCREW IHSCM		4	
503 71 53-01	503715301	DECOMPRESSION VALVE		1	
537 08 62-01	537086201	HEAT DEFLECTOR		1	
503 77 59-01	503775901	GASKET		1	
503 28 90-37	503289037	PISTON RING		2	
737 44 13-00	737441300	CIRCLIP		2	
537 16 98-71	537169871	PISTON ASSY		1	
503 25 61-01	503256101	NEEDLE BEARING		1	
537 00 57-01	537005701	GASKET		1	
503 23 51-08	503235108	SPARK PLUG	RCJ 7 Y	1	



B

**compl 537 13 79-71 (3/8"x7T)
**compl 537 13 79-72 (3/8"x8T)

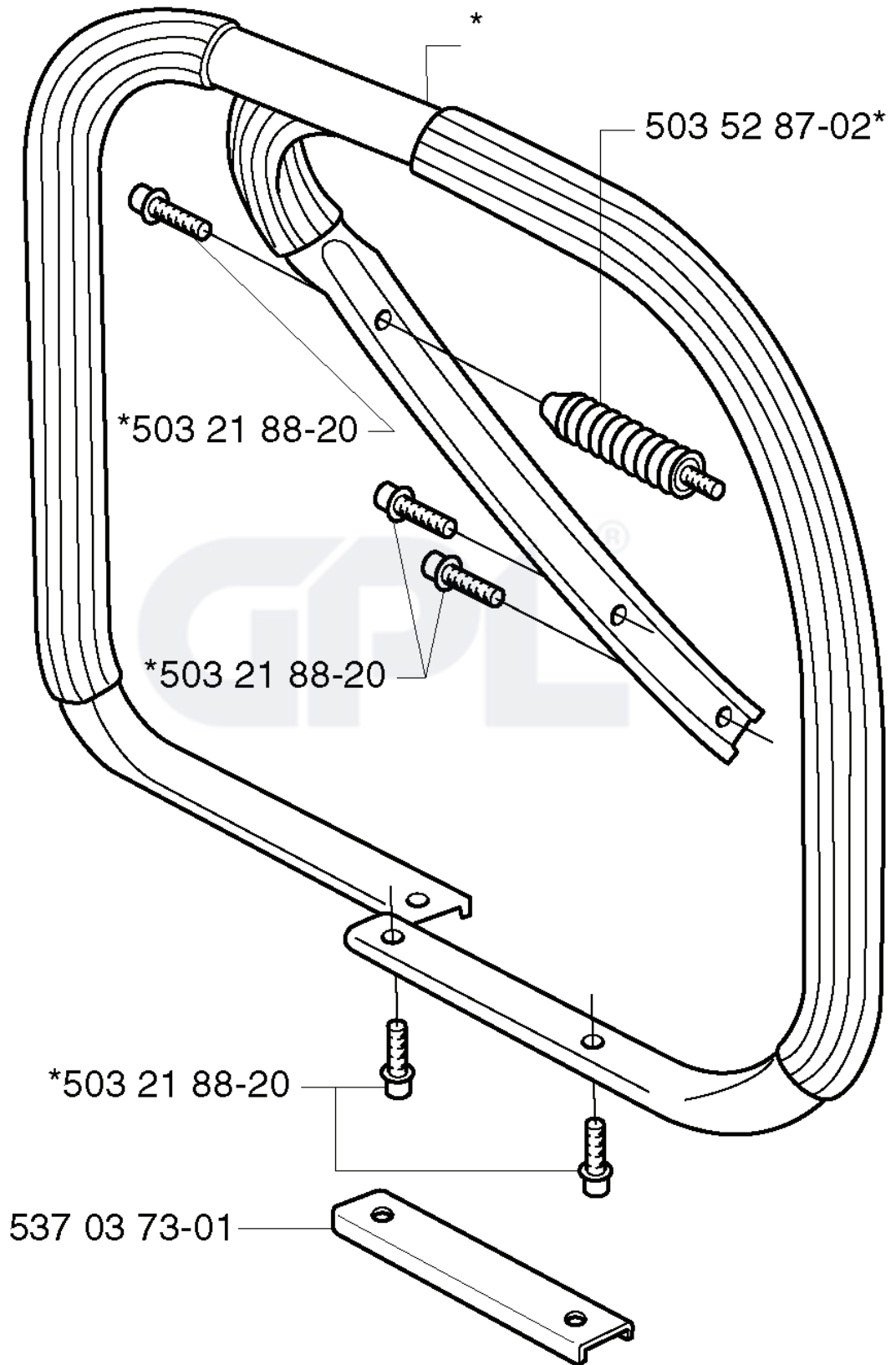
*compl 503 52 13-02



REF.	PART NO.	DESCRIPTION	REMARK	QTY.	KIT
537 13 79-71	537137971	CLUTCH DRUM ASSY	3/8X7T	1	
537 13 79-72	537137972	CLUTCH DRUM ASSY	3/8X8T	1	
503 27 21-01	503272101	E-CLIP		1	
503 75 24-01	503752401	WASHER		1	
501 59 80-02	501598002	RIM	3/8X7T	1	
505 30 36-61	505303661	RIM	3/8X8T	1	
503 43 20-01	503432001	NEEDLE HOLDER		1	
503 97 51-01	503975101	CLUTCH SPRING		1	
504 30 00-26	504300026	SEALING		1	
503 64 47-01	503644701	BUSHING		1	
503 77 43-01	503774301	OIL PIPE		1	
503 75 61-04	503756104	GEAR WHEEL		1	
503 97 50-01	503975001	CLUTCH ASSY		1	
501 54 41-02	501544102	OIL SCREEN		1	
503 42 67-01	503426701	OIL HOSE		1	
503 81 13-01	503811301	SCREW		1	
503 81 30-01	503813001	SPRING		1	
501 61 58-01	501615801	SPRING		1	
503 23 00-04	503230004	WASHER		2	
537 10 64-01	537106401	PUMP PISTON		1	
725 53 29-56	725532956	SCREW IHSCM		2	
503 62 49-01	503624901	SEALING PLUG		1	
503 52 13-02	503521302	OIL PUMP ASSY		1	



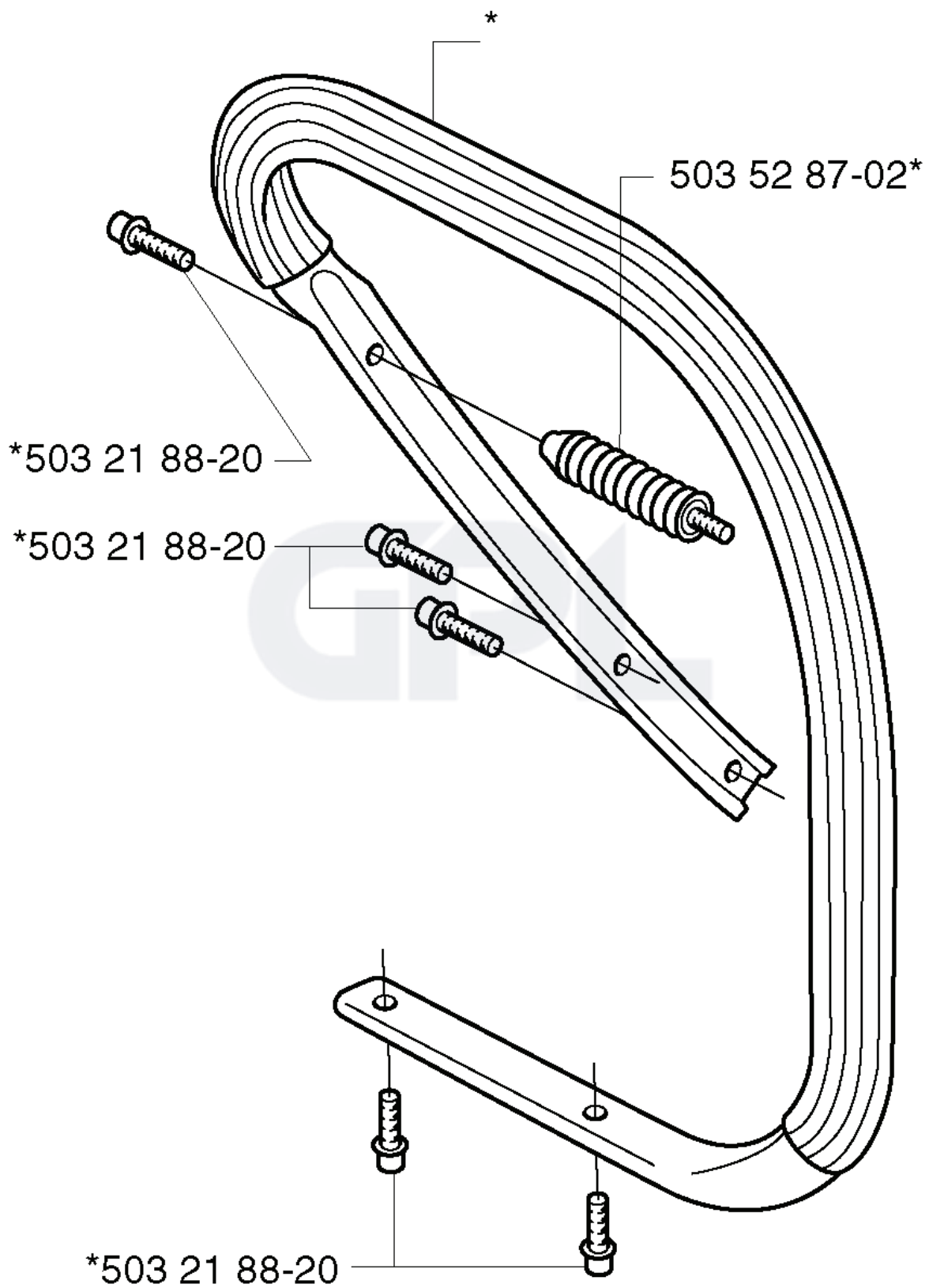
*compl 537 16 79-01



REF.	PART NO.	DESCRIPTION	REMARK	QTY.	KIT
537 16 79-01	537167901	FRONT HANDLE ASSY		1	
503 21 88-20	503218820	SCREW IHSCT		1	
537 03 73-01	537037301	REINFORCING PLATE		1	
503 52 87-02	503528702	INSULATOR		1	



K compl 537 16 78-71

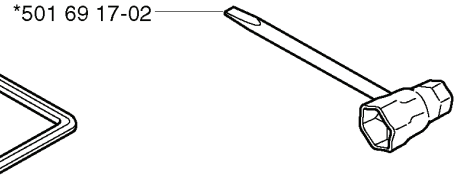
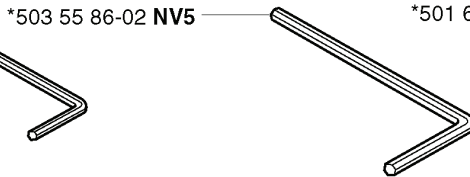
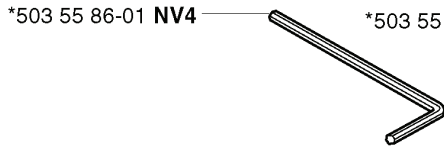
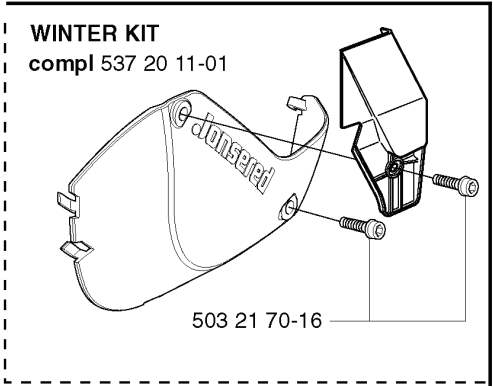
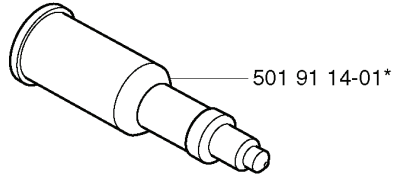
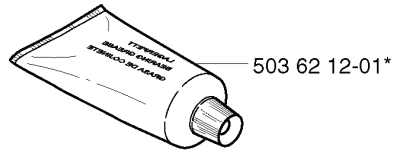


REF.	PART NO.	DESCRIPTION	REMARK	QTY.	KIT
537 16 78-71	537167871	FRONT HANDLE ASSY		1	
503 21 88-20	503218820	SCREW IHSCT		1	
503 52 87-02	503528702	INSULATOR		1	

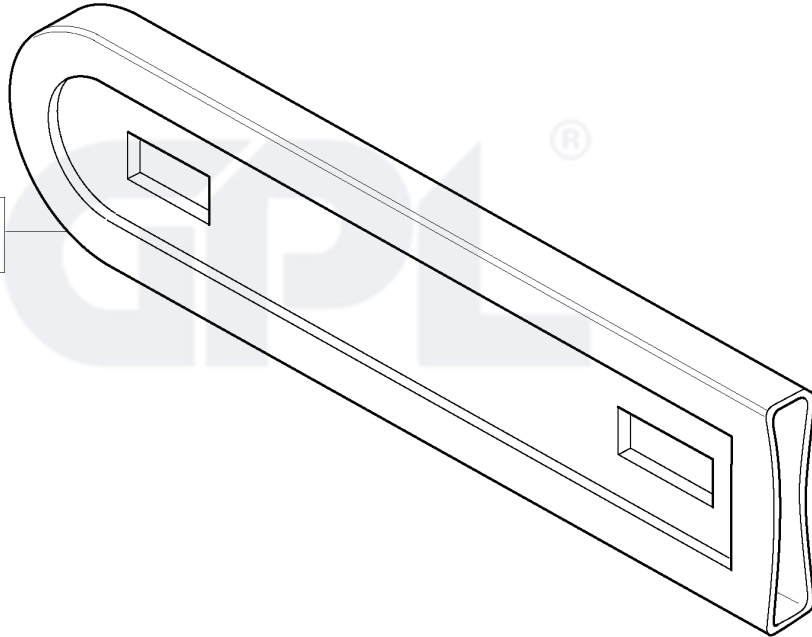
GPL®

Q Accessories
Zubehöre
Accessories
Tillbehör

*compl 503 55 85-01



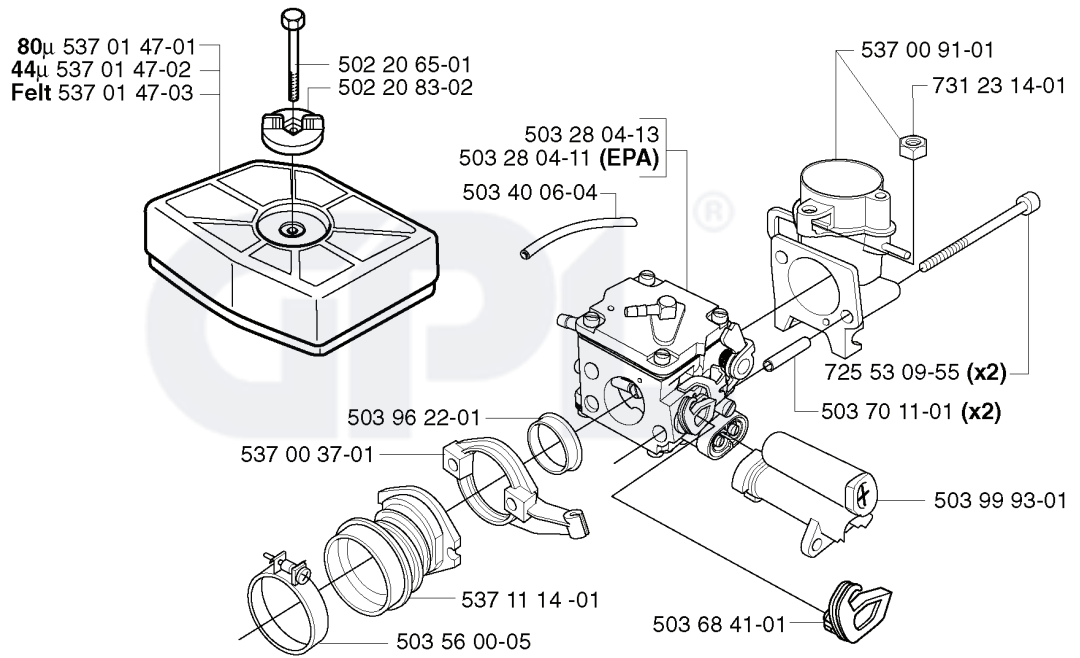
501 83 44-02 13"-16"
 501 83 44-05 18"-22"
 501 83 45-02 24"-28"



REF.	PART NO.	DESCRIPTION	REMARK	QTY.	KIT
5035585-01	503558501	TOOL		1	
5035586-01	503558601	SPANNER	NV4	1	
5018344-02	501834402	BAR COVER	13	1	
5018344-05	501834405	BAR COVER	18	1	
5018345-02	501834502	BAR COVER	24	1	
5372443-01	537244301	LABEL		1	
5371689-01	537168901	LABEL		1	
5371689-02	537168902	LABEL	W	1	
5035586-02	503558602	SPANNER	NV5	1	
5019114-01	501911401	GREASE GUN		1	
5036212-01	503621201	GREASE		1	
5372011-01	537201101	WINTER KIT		1	
5016917-02	501691702	COMBINATION WRENCH		1	
5032170-16	503217016	SCREW CCRPANT		1	



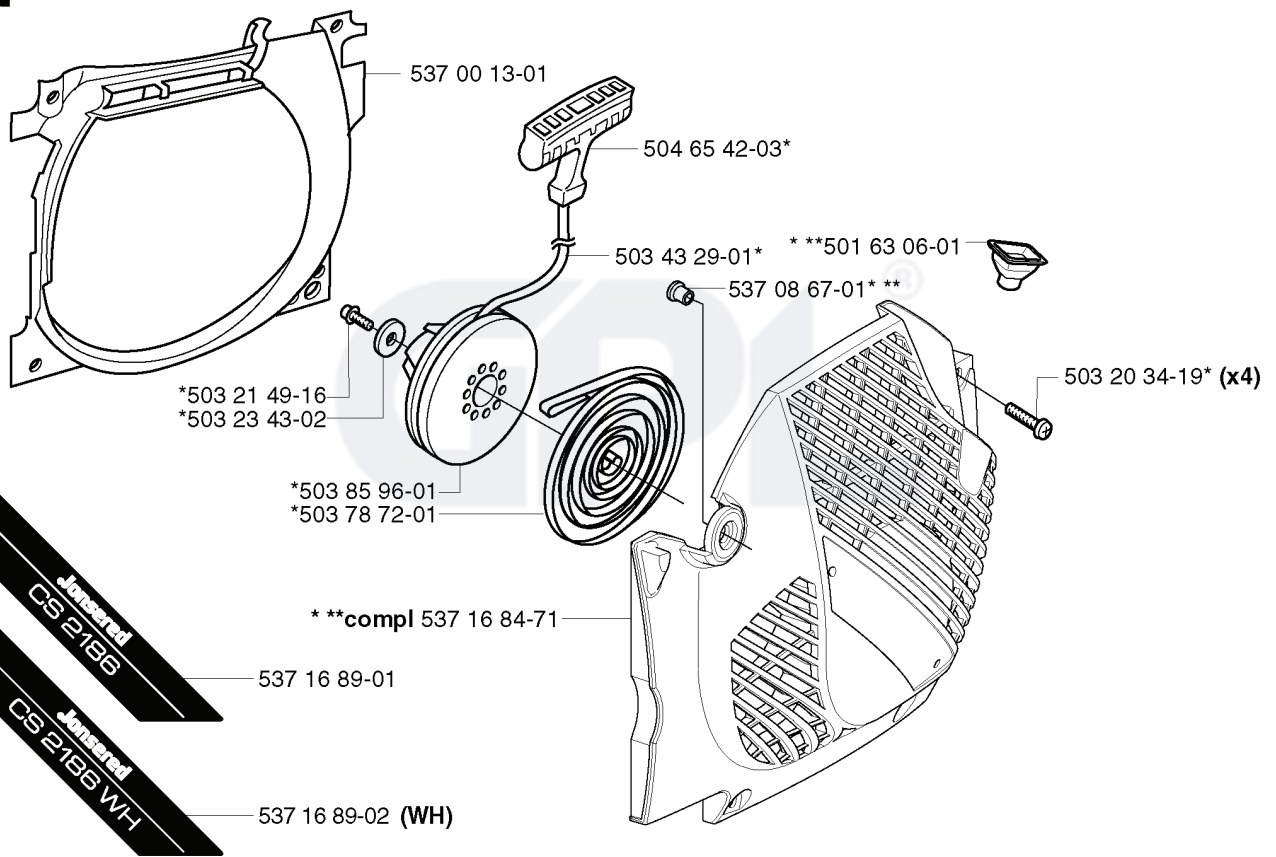
G



REF.	PART NO.	DESCRIPTION	REMARK	QTY.	KIT
537 01 47-01	537014701	AIR FILTER ASSY	80	1	
537 01 47-02	537014702	AIR FILTER ASSY	44	1	
537 01 47-03	537014703	AIR FILTER ASSY	FELT	1	
503 96 22-01	503962201	SUPPORT SLEEVE		1	
537 00 37-01	537003701	FLANGE		1	
537 11 14-01	537111401	INLET PIPE		1	
503 56 00-05	503560005	HOSE CLAMP		1	
503 68 41-01	503684101	LEVER		1	
503 99 93-01	503999301	GUIDE BUSHING		1	
503 70 11-01	503701101	TUBE		2	
725 53 09-55	725530955	SCREW IHSCM		2	
503 40 06-04	503400604	IMPULSE HOSE		1	
503 28 04-11	503280411	CARBURETTOR	EPA	1	
503 28 04-13	503280413	CARBURETTOR		1	
502 20 83-02	502208302	KNOB		1	
502 20 65-01	502206501	SCREW EHHM		1	
731 23 14-01	731231401	HEXAGON NUT		1	
537 00 91-01	537009101	FILTER HOLDER		1	



N *compl 537 16 83-71



REF.	PART NO.	DESCRIPTION	REMARK	QTY.	KIT
537 16 83-71	537168371	STARTER ASSY		1	
503 21 49-16	503214916	SCREW IHSCFT		1	
503 23 43-02	503234302	WASHER		1	
503 85 96-01	503859601	STARTER PULLEY		1	
503 78 72-01	503787201	RECOIL SPRING		1	
537 16 84-71	537168471	STARTER HOUSING		1	
537 16 89-01	537168901	LABEL		1	
537 16 89-02	537168902	LABEL	WH	1	
503 20 34-19	503203419	SCREW CCRPANMO		4	
537 08 67-01	537086701	BUSHING		1	
501 63 06-01	501630601	SLEEVE		1	
503 43 29-01	503432901	STARTER ROPE		1	
504 65 42-03	504654203	STARTER HANDLE		1	
537 00 13-01	537001301	AIR CONDUCTOR		1	

