

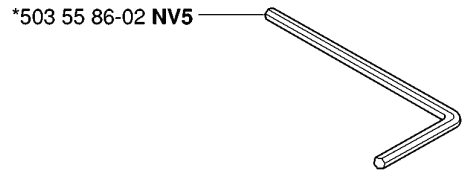
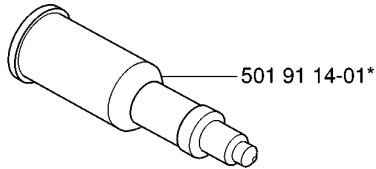
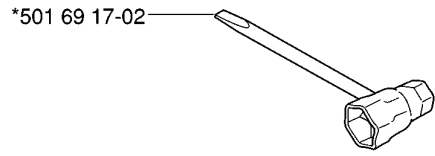
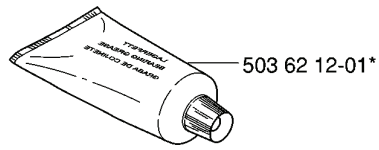
CS2186, EPA, 2007-01



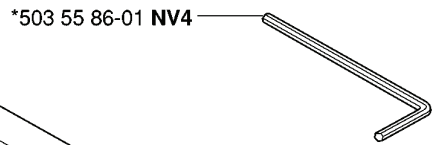
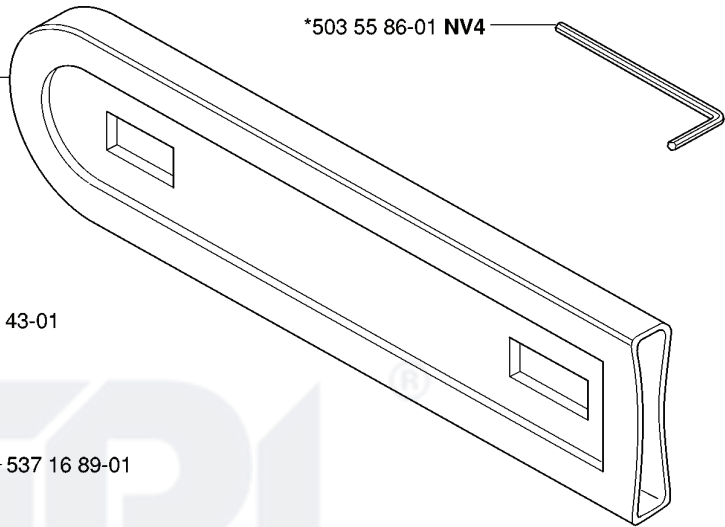
SPARE PARTS LIST

Q Accessories
Zubehöre
Accessories
Accesorios
Tillbehör

*compl 503 55 85-01

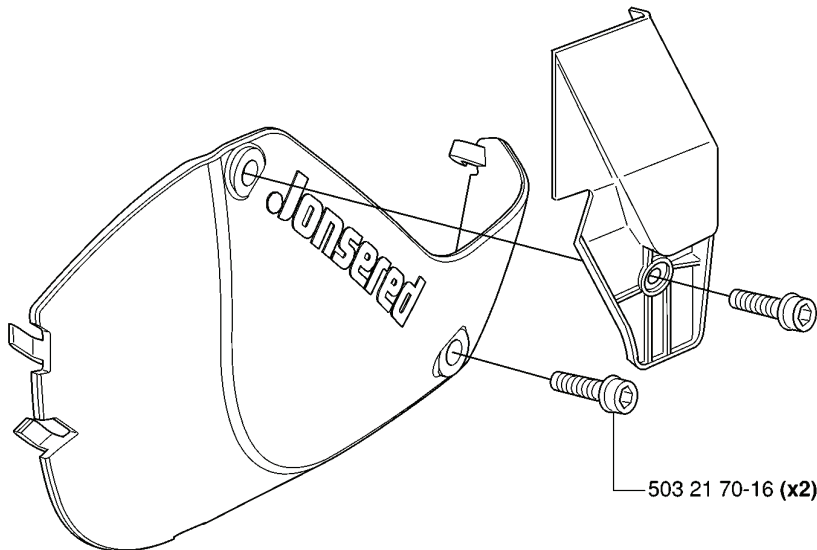


501 83 44-02 13"-16"
 501 83 44-05 18"-22"
 501 83 45-02 24"-28"



Q WINTER KIT

compl 537 20 11-01



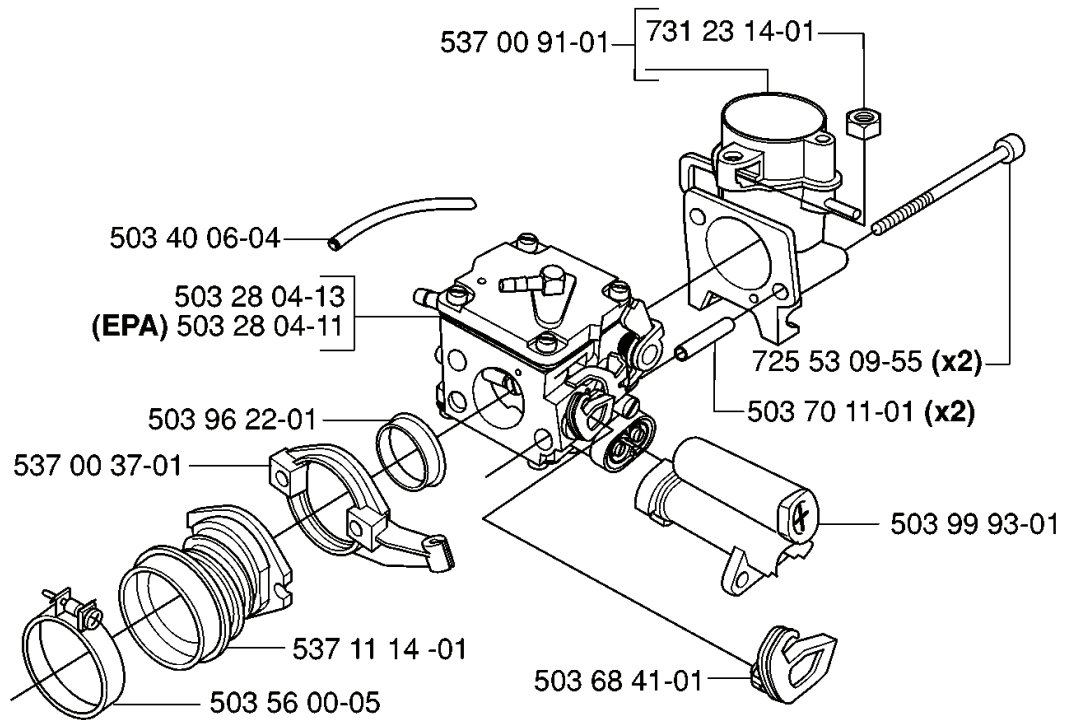
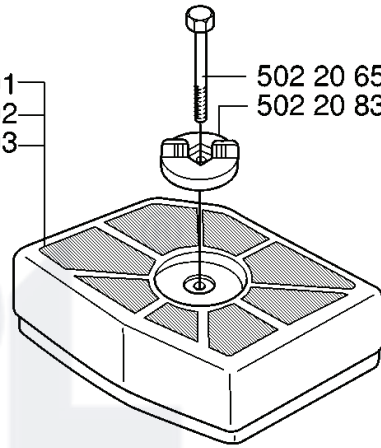
| REF. | PART NO. | DESCRIPTION | REMARK | QTY. | KIT |
|------------|-----------|--------------------|--------|------|-----|
| 5035585-01 | 503558501 | TOOL | | 1 | |
| 5019114-01 | 501911401 | GREASE GUN | | 1 | |
| 5018344-02 | 501834402 | BAR COVER | | 1 | |
| 5018344-05 | 501834405 | BAR COVER | | 1 | |
| 5018345-02 | 501834502 | BAR COVER | | 1 | |
| 5372443-01 | 537244301 | LABEL | | 1 | |
| 5371689-01 | 537168901 | LABEL | | 1 | |
| 5371689-02 | 537168902 | LABEL | | 1 | |
| 5372011-01 | 537201101 | WINTER KIT | | 1 | |
| 5032170-16 | 503217016 | SCREW CCRPANT | | 2 | |
| 5035586-01 | 503558601 | SPANNER | | 1 | |
| 5035586-02 | 503558602 | SPANNER | | 1 | |
| 5036212-01 | 503621201 | GREASE | | 1 | |
| 5016917-02 | 501691702 | COMBINATION WRENCH | | 1 | |



G

80 μ 537 01 47-01
44 μ 537 01 47-02
Felt 537 01 47-03

502 20 65-01
502 20 83-02



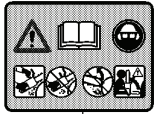
| REF. | PART NO. | DESCRIPTION | REMARK | QTY. | KIT |
|--------------|-----------|-----------------|--------|------|-----|
| 537 01 47-01 | 537014701 | AIR FILTER ASSY | | 1 | |
| 537 01 47-02 | 537014702 | AIR FILTER ASSY | | 1 | |
| 537 01 47-03 | 537014703 | AIR FILTER ASSY | | 1 | |
| 503 40 06-04 | 503400604 | IMPULSE HOSE | | 1 | |
| 503 28 04-13 | 503280413 | CARBURETTOR | | 1 | |
| 503 28 04-11 | 503280411 | CARBURETTOR | | 1 | |
| 503 96 22-01 | 503962201 | SUPPORT SLEEVE | | 1 | |
| 537 00 37-01 | 537003701 | FLANGE | | 1 | |
| 537 11 14-01 | 537111401 | INLET PIPE | | 1 | |
| 503 56 00-05 | 503560005 | HOSE CLAMP | | 1 | |
| 503 68 41-01 | 503684101 | LEVER | | 1 | |
| 503 99 93-01 | 503999301 | GUIDE BUSHING | | 1 | |
| 503 70 11-01 | 503701101 | TUBE | | 2 | |
| 725 53 09-55 | 725530955 | SCREW IHSCM | | 2 | |
| 537 00 91-01 | 537009101 | FILTER HOLDER | | 1 | |
| 731 23 14-01 | 731231401 | HEXAGON NUT | | 1 | |
| 502 20 83-02 | 502208302 | KNOB | | 1 | |
| 502 20 65-01 | 502206501 | SCREW EHHM | | 1 | |



A

*compl 537 19 57-01

503 20 07-12 (x4)



503 98 74-01*

503 20 25-12

537 01 67-01

503 43 65-01

503 83 81-02

537 00 87-02

503 75 11-03

503 21 28-10

501 87 53-03

503 70 99-01

503 79 27-01

503 75 22-02



537 24 43-01

503 21 28-10

503 89 70-01

503 76 29-02

**537 07 20-71

**compl 537 07 20-02

503 22 00-01 (x2)

503 21 28-10

503 71 97-01

740 48 07-02

503 23 00-63

537 07 94-01

503 23 00-66

537 07 95-01

503 99 83-01

537 01 74-01

**537 04 41-02

537 01 68-01

503 21 28-10** (x2)

537 19 06-01**

503 21 28-10**

A

*compl 537 33 10-02 WA

503 21 28-10

*537 03 38-02

*503 21 28-10 (x2)

*537 17 41-01

WA 503 92 27-01

*

503 21 28-10*

537 04 34-01*

*537 04 41-02

537 01 74-01

503 99 83-01

537 07 95-01

503 23 00-66

740 48 07-02

503 23 00-63

537 07 94-01

537 01 68-01

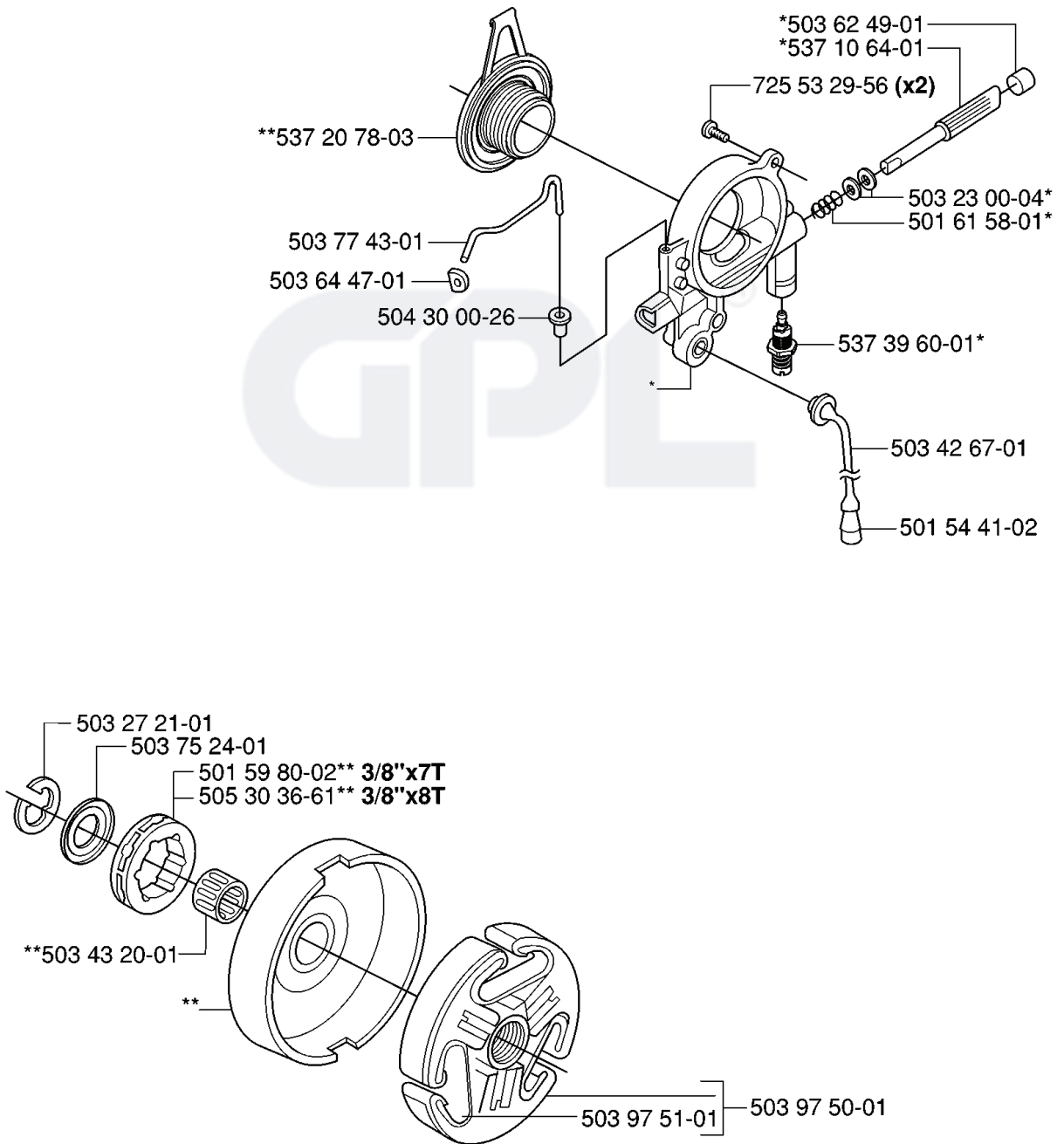
*503 21 28-10 (x2)

| REF. | PART NO. | DESCRIPTION | REMARK | QTY. | KIT |
|-------------|-----------|-------------------|--------|------|-----|
| 537 1957-01 | 537195701 | HAND GUARD | | 1 | |
| 503 2007-12 | 503200712 | SCREW IHSCFM | | 4 | |
| 503 9874-01 | 503987401 | LABEL | | 1 | |
| 503 2025-12 | 503202512 | SCREW IHSCM | | 1 | |
| 537 0167-01 | 537016701 | WEAR PROTECTION | | 1 | |
| 503 4365-01 | 503436501 | POSITION SPRING | | 1 | |
| 503 8381-02 | 503838102 | LOCK | | 1 | |
| 537 0087-02 | 537008702 | BRAKE LEVER | | 1 | |
| 537 0720-02 | 537072002 | CLUTCH COVER ASSY | | 1 | |
| 503 2200-01 | 503220001 | HEXAGON NUT | | 2 | |
| 503 7197-01 | 503719701 | SPIKE | | 1 | |
| 537 0441-02 | 537044102 | CHAIN TENSIONER | | 1 | |
| 537 3310-02 | 537331002 | CLUTCH COVER ASSY | | 1 | |
| 503 9227-01 | 503922701 | SPIKE | | 1 | |
| 537 0434-01 | 537043401 | CHAIN GUIDE | | 1 | |
| 503 2300-63 | 503230063 | WASHER | | 1 | |
| 740 4807-02 | 740480702 | O-RING | | 1 | |
| 503 2300-66 | 503230066 | WASHER | | 1 | |
| 537 0795-01 | 537079501 | WORM SCREW | | 1 | |
| 537 0174-01 | 537017401 | BEARING SLEEVE | | 1 | |
| 537 0338-02 | 537033802 | LABEL | | 1 | |
| 537 0168-01 | 537016801 | COVER | | 1 | |
| 503 9983-01 | 503998301 | PAWL | | 1 | |
| 537 0794-01 | 537079401 | WORM WHEEL | | 1 | |
| 503 7752-01 | 503775201 | BUSHING | | 1 | |
| 537 0720-71 | 537072071 | CLUTCH COVER ASSY | | 1 | |
| 537 1741-01 | 537174101 | CHIP GUARD | | 1 | |
| 503 2128-10 | 503212810 | SCREW CCRPANT | | 2 | |
| 537 1906-01 | 537190601 | CHAIN GUIDE | | 1 | |
| 503 7629-02 | 503762902 | CHIP GUARD | | 1 | |
| 503 8970-01 | 503897001 | SLEEVE | | 1 | |
| 537 2443-01 | 537244301 | LABEL | | 1 | |
| 503 7522-02 | 503752202 | BRAKE BAND ASSY | | 1 | |
| 503 7927-01 | 503792701 | SUPPORT | | 1 | |
| 503 7099-01 | 503709901 | BRAKE SPRING | | 1 | |
| 501 8753-03 | 501875303 | KNEE JOINT | | 1 | |
| 503 7511-03 | 503751103 | HUB CAP | | 1 | |

B

****compl 537 13 79-71 (3/8"x7T)**
****compl 537 13 79-72 (3/8"x8T)**

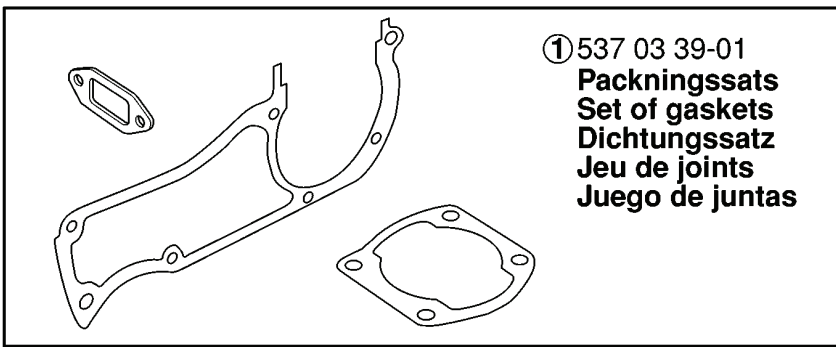
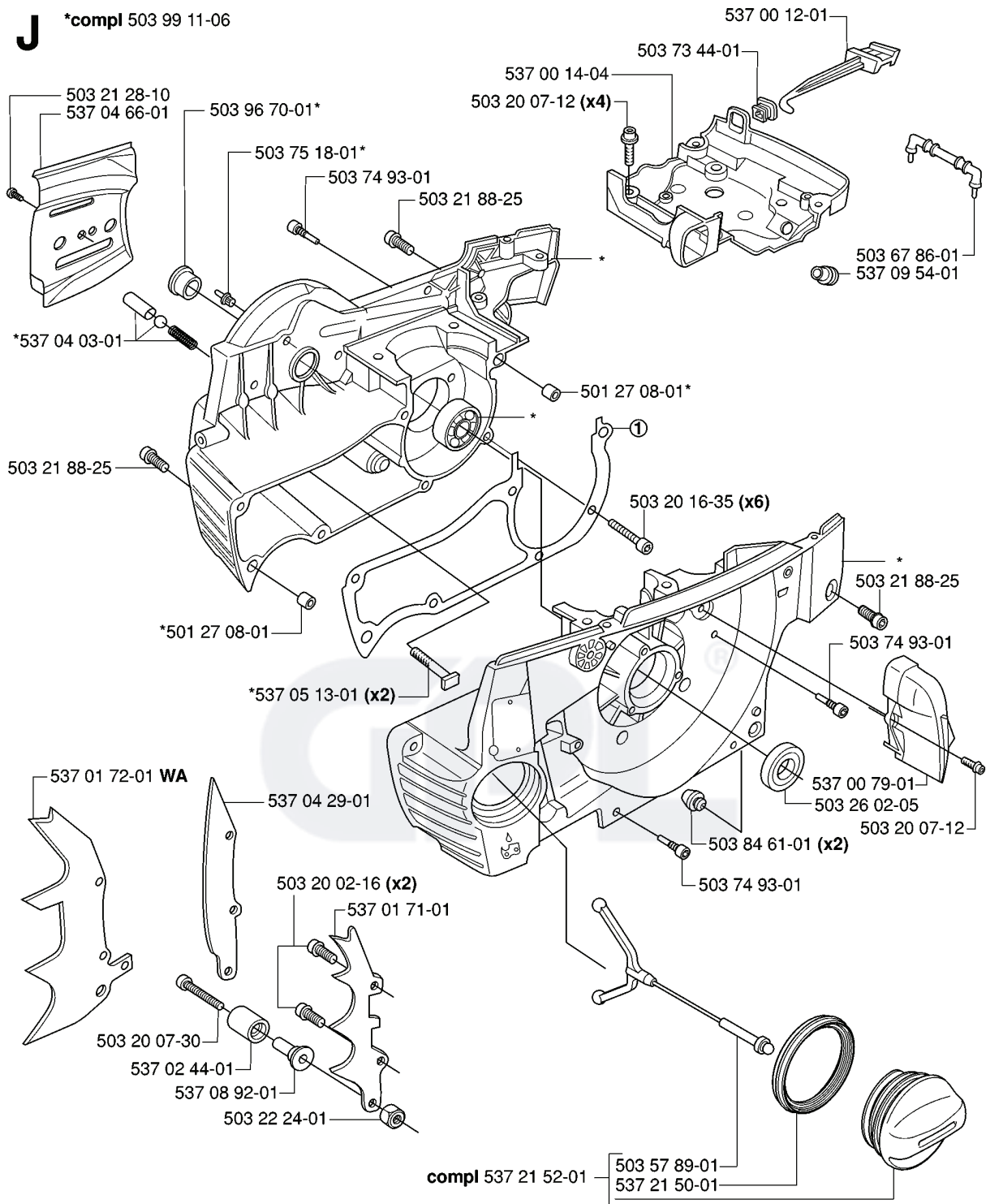
***compl 503 52 13-05**



| REF. | PART NO. | DESCRIPTION | REMARK | QTY. | KIT |
|--------------|-----------|------------------|--------|------|-----|
| 537 13 79-71 | 537137971 | CLUTCH DRUM ASSY | | 1 | |
| 537 13 79-72 | 537137972 | CLUTCH DRUM ASSY | | 1 | |
| 503 52 13-05 | 503521305 | OIL PUMP ASSY | | 1 | |
| 537 20 78-03 | 537207803 | PUMP PINION | | 1 | |
| 503 77 43-01 | 503774301 | OIL PIPE | | 1 | |
| 503 64 47-01 | 503644701 | BUSHING | | 1 | |
| 504 30 00-26 | 504300026 | SEALING | | 1 | |
| 503 27 21-01 | 503272101 | E-CLIP | | 1 | |
| 503 75 24-01 | 503752401 | WASHER | | 1 | |
| 501 59 80-02 | 501598002 | RIM | | 1 | |
| 505 30 36-61 | 505303661 | RIM | | 1 | |
| 503 43 20-01 | 503432001 | NEEDLE HOLDER | | 1 | |
| 503 97 51-01 | 503975101 | CLUTCH SPRING | | 1 | |
| 503 97 50-01 | 503975001 | CLUTCH ASSY | | 1 | |
| 501 54 41-02 | 501544102 | OIL SCREEN | | 1 | |
| 503 42 67-01 | 503426701 | OIL HOSE | | 1 | |
| 537 39 60-01 | 537396001 | INSERT | | 1 | |
| 501 61 58-01 | 501615801 | SPRING | | 1 | |
| 503 23 00-04 | 503230004 | WASHER | | 1 | |
| 725 53 29-56 | 725532956 | SCREW IHSCM | | 2 | |
| 537 10 64-01 | 537106401 | PUMP PISTON | | 1 | |
| 503 62 49-01 | 503624901 | SEALING PLUG | | 1 | |

J

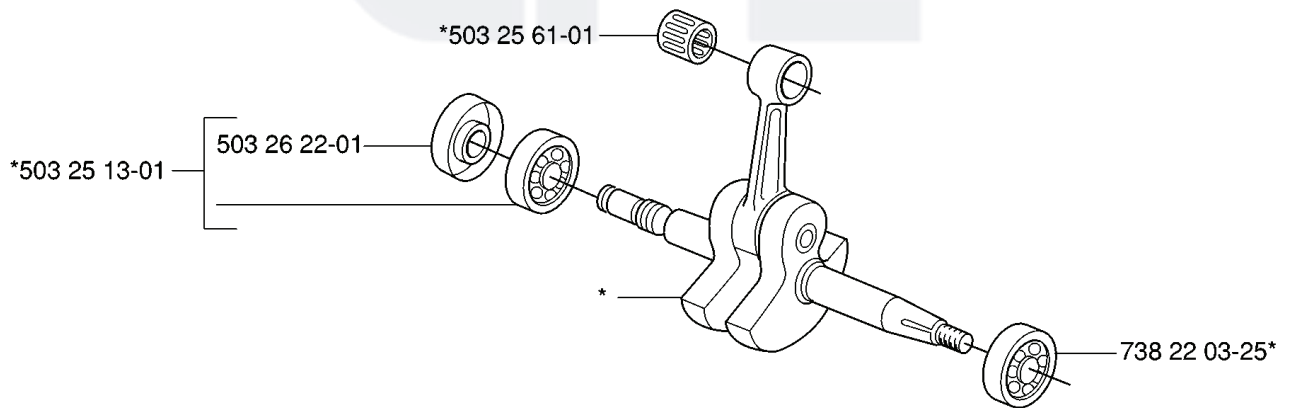
*compl 503 99 11-06



| REF. | PART NO. | DESCRIPTION | REMARK | QTY. | KIT |
|------------|-----------|------------------|--------|------|-----|
| 5039911-06 | 503991106 | CRANKCASE ASSY | | 1 | |
| 5032128-10 | 503212810 | SCREW CCRPANT | | 1 | |
| 5370466-01 | 537046601 | KIT | | 1 | |
| 5370403-01 | 537040301 | VALVE | | 1 | |
| 5012708-01 | 501270801 | GUIDE BUSHING | | 1 | |
| 5370513-01 | 537051301 | BAR BOLT | | 2 | |
| 5370429-01 | 537042901 | BUMPER | | 1 | |
| 5032002-16 | 503200216 | SCREW IHSCFM | | 2 | |
| 5370171-01 | 537017101 | SPIKE | | 1 | |
| 5370172-01 | 537017201 | SPIKE | | 1 | |
| 5032007-30 | 503200730 | SCREW IHSCFM | | 1 | |
| 5370244-01 | 537024401 | WEAR PROTECTION | | 1 | |
| 5370892-01 | 537089201 | CHAIN CATCHER | | 1 | |
| 5032224-01 | 503222401 | LOCK NUT | | 1 | |
| 5372152-01 | 537215201 | TANK CAP ASSY | | 1 | |
| 5372150-01 | 537215001 | SEALING | | 1 | |
| 5035789-01 | 503578901 | HOLDER | | 1 | |
| 5038461-01 | 503846101 | BUFFER | | 2 | |
| 5032602-05 | 503260205 | SEALING RING | | 1 | |
| 5370079-01 | 537007901 | AIR NOZZLE | | 1 | |
| 5037493-01 | 503749301 | SCREW | | 1 | |
| 5032016-35 | 503201635 | SCREW IHSCFM | | 6 | |
| 5032188-25 | 503218825 | SCREW IHSCFT | | 1 | |
| 5037518-01 | 503751801 | PIN | | 1 | |
| 5039670-01 | 503967001 | BUSHING | | 1 | |
| 5032007-12 | 503200712 | SCREW IHSCFM | | 4 | |
| 5370014-04 | 537001404 | CARBURETTOR | | 1 | |
| 5037344-01 | 503734401 | GROMMET | | 1 | |
| 5370012-01 | 537001201 | CHOKE CONTROL | | 1 | |
| 5036786-01 | 503678601 | STÖTTA FÖRGASARE | | 1 | |
| 5370954-01 | 537095401 | GROMMET | | 1 | |

E *compl 503 99 34-04

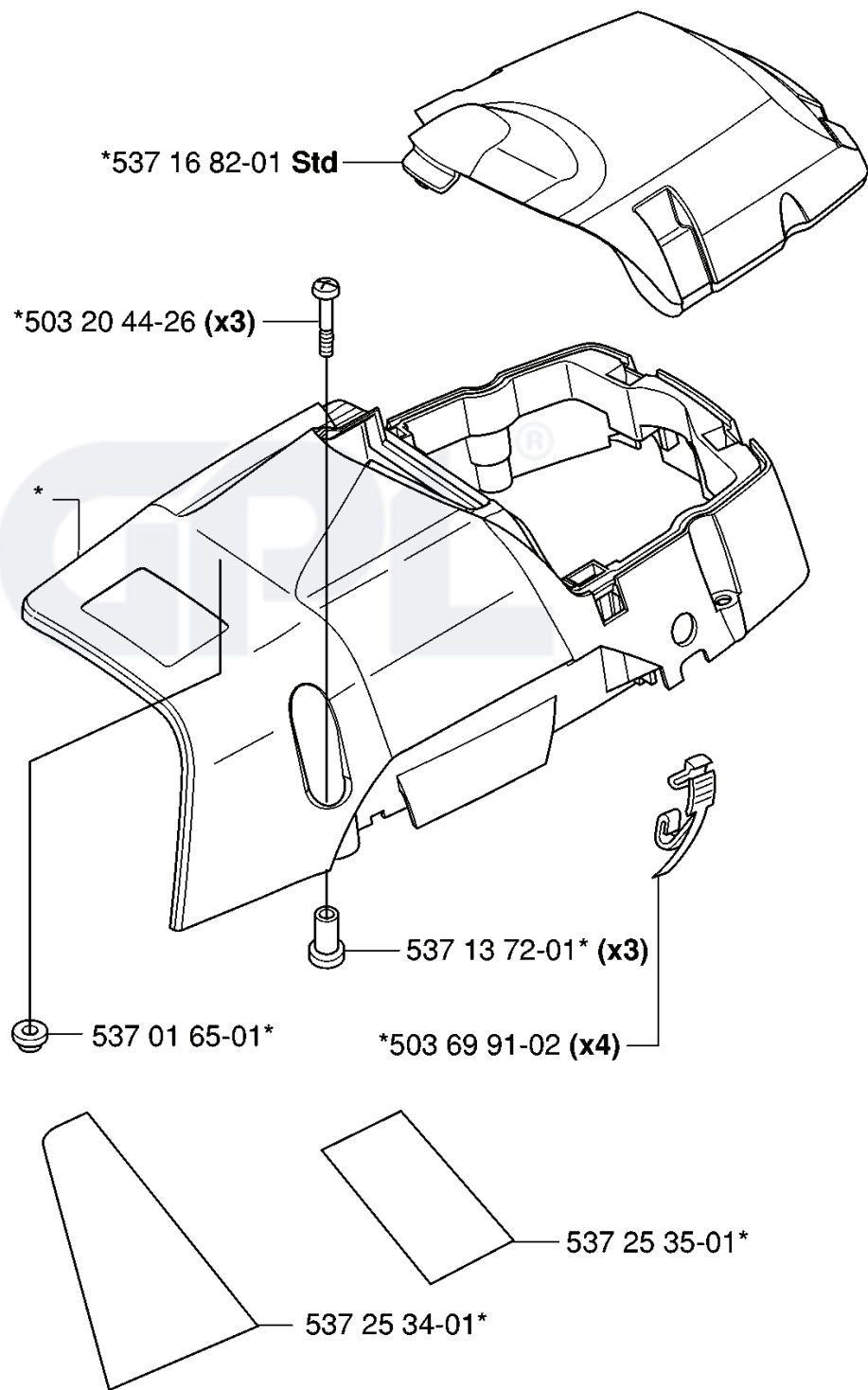
GPL[®]



| REF. | PART NO. | DESCRIPTION | REMARK | QTY. | KIT |
|--------------|-----------|----------------|--------|------|-----|
| 503 99 34-04 | 503993404 | CRANKSHAFT | | 1 | |
| 503 25 13-01 | 503251301 | BALL BEARING | | 1 | |
| 503 26 22-01 | 503262201 | SEALING RING | | 1 | |
| 503 25 61-01 | 503256101 | NEEDLE BEARING | | 1 | |
| 738 22 03-25 | 738220325 | BALL BEARING | | 1 | |



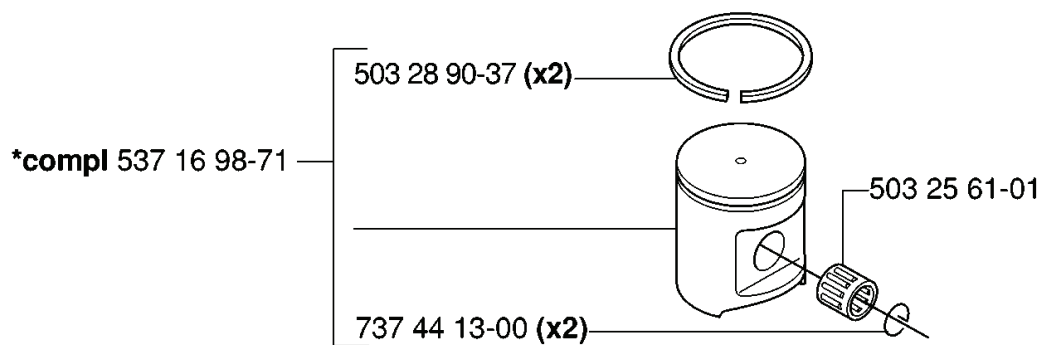
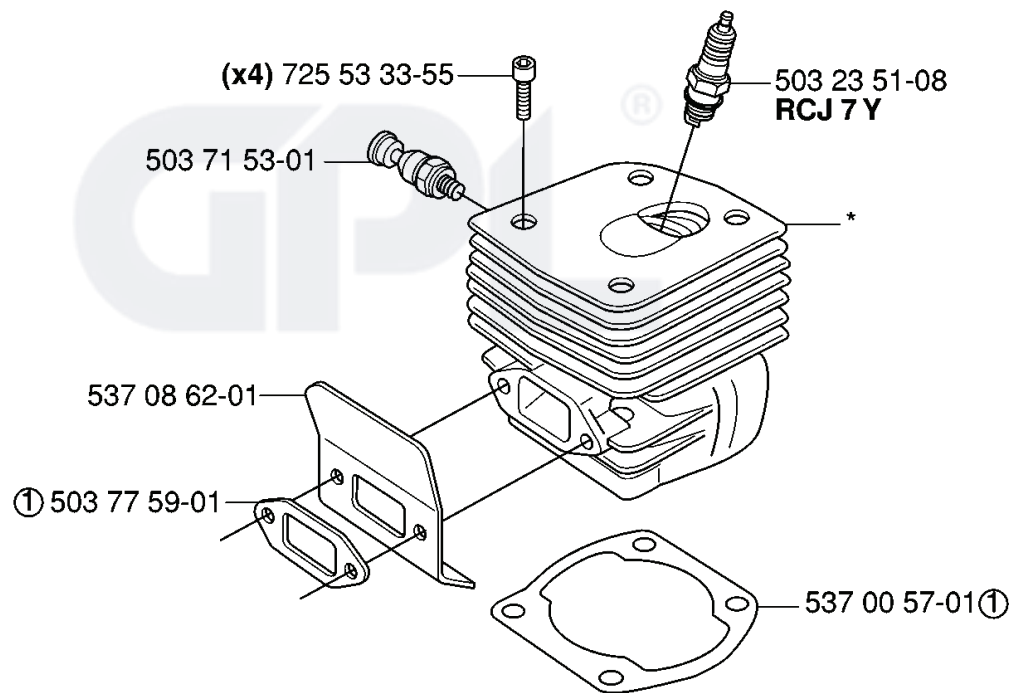
C *compl 537 16 80-01 Std



| REF. | PART NO. | DESCRIPTION | REMARK | QTY. | KIT |
|--------------|-----------|---------------------|--------|------|-----|
| 537 16 80-01 | 537168001 | CYLINDER COVER ASSY | | 1 | |
| 537 16 82-01 | 537168201 | FILTER COVER | | 1 | |
| 503 20 44-26 | 503204426 | SCREW | | 3 | |
| 537 01 65-01 | 537016501 | SUPPORT | | 1 | |
| 537 25 34-01 | 537253401 | HEAT PROTECTOR | | 1 | |
| 537 25 35-01 | 537253501 | HEAT PROTECTOR | | 1 | |
| 503 69 91-02 | 503699102 | SNAP LOCKING | | 4 | |
| 537 13 72-01 | 537137201 | SLEEVE | | 3 | |



D *compl 537 16 97-71

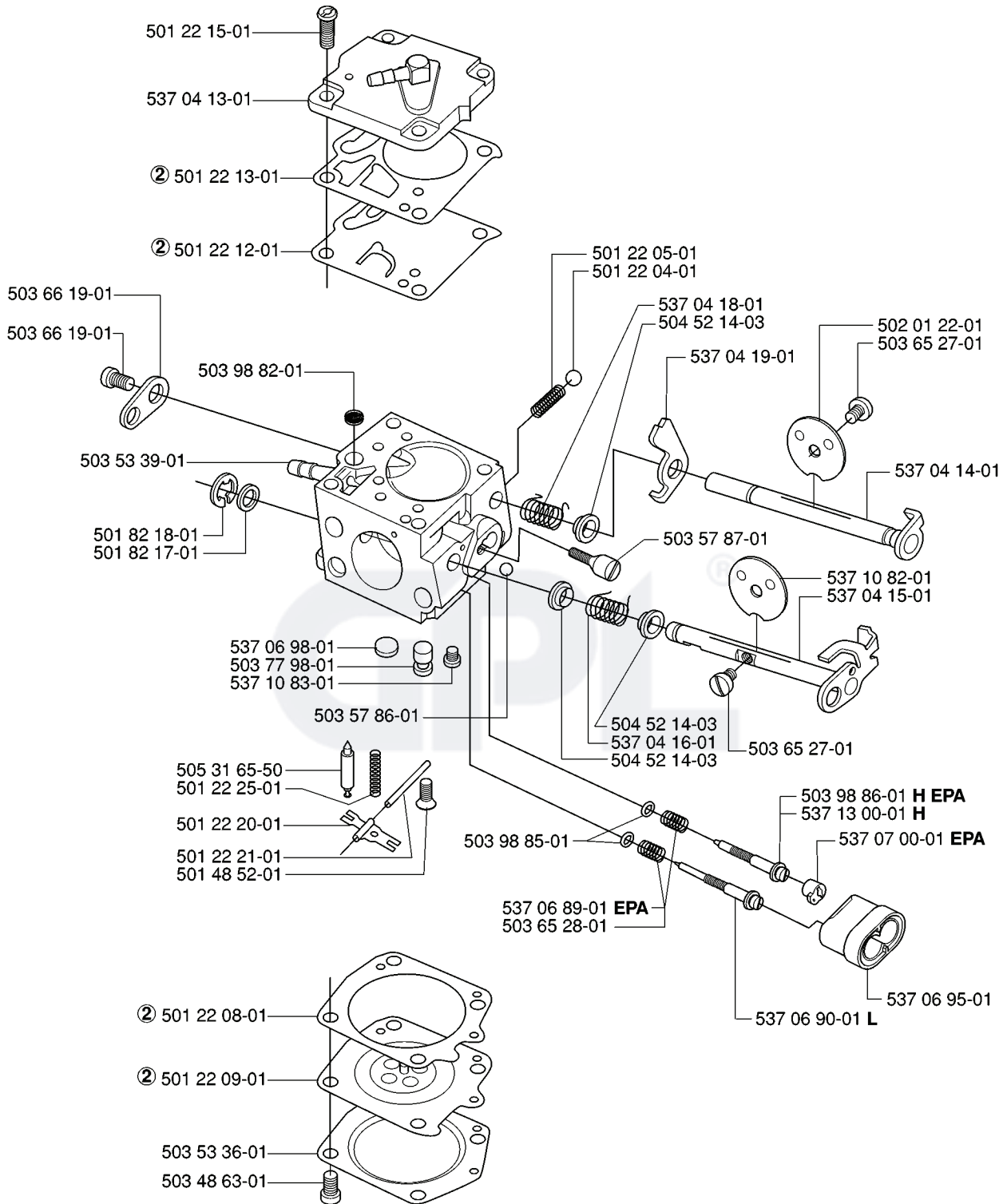


| REF. | PART NO. | DESCRIPTION | REMARK | QTY. | KIT |
|--------------|-----------|---------------------|--------|------|-----|
| 537 16 97-71 | 537169771 | CYLINDER ASSY | | 1 | |
| 725 53 33-55 | 725533355 | SCREW IHSCM | | 4 | |
| 503 71 53-01 | 503715301 | DECOMPRESSION VALVE | | 1 | |
| 537 08 62-01 | 537086201 | HEAT DEFLECTOR | | 1 | |
| 503 77 59-01 | 503775901 | GASKET | | 1 | |
| 537 16 98-71 | 537169871 | PISTON ASSY | | 1 | |
| 737 44 13-00 | 737441300 | CIRCLIP | | 2 | |
| 503 28 90-37 | 503289037 | PISTON RING | | 2 | |
| 503 25 61-01 | 503256101 | NEEDLE BEARING | | 1 | |
| 537 00 57-01 | 537005701 | GASKET | | 1 | |
| 503 23 51-08 | 503235108 | SPARK PLUG | | 1 | |



P compl 503 28 04-13
compl 503 28 04-11 EPA

Tilotson HS 299A Tilotson HS 296A EPA



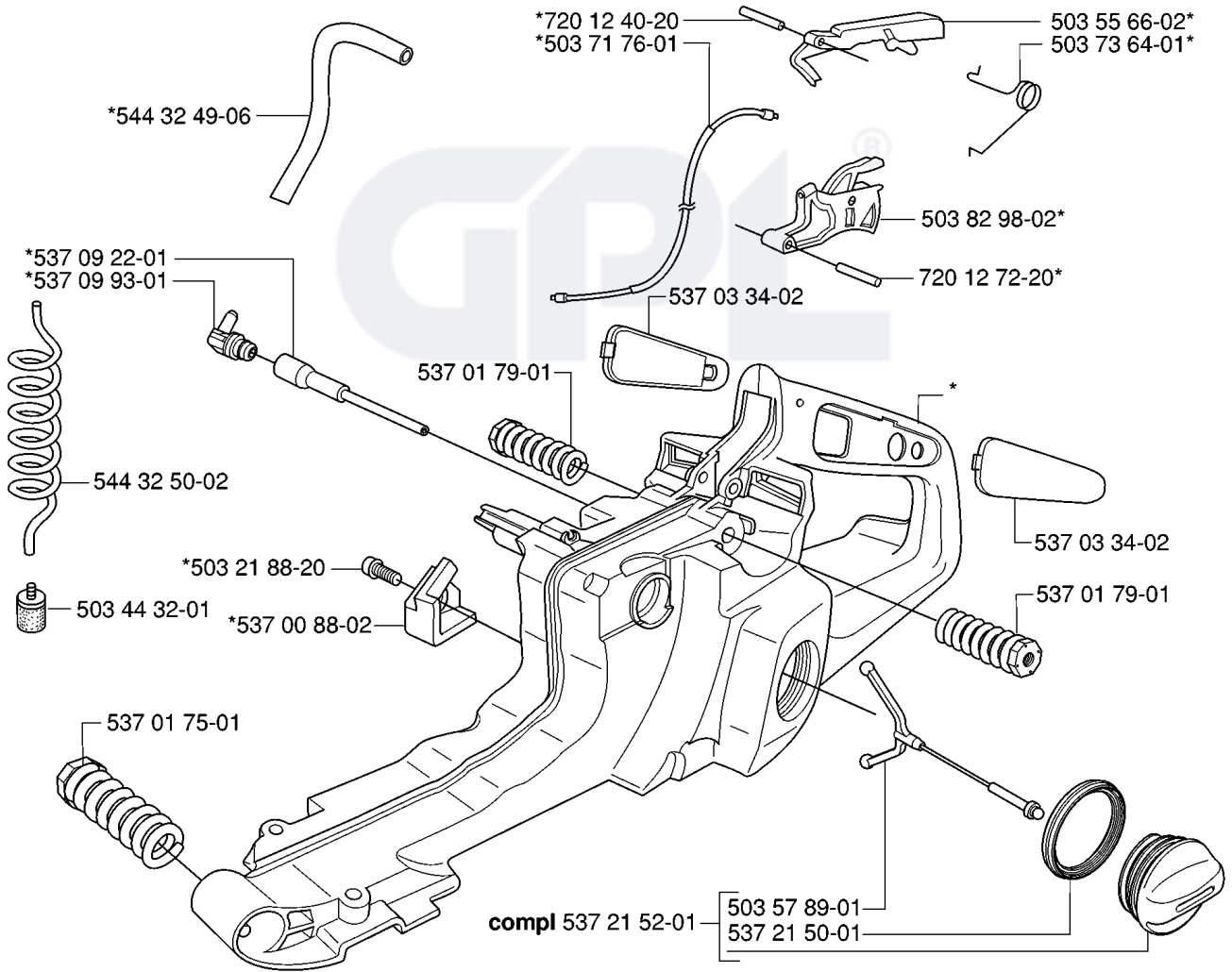
② 501 49 48-02
Packingsatz
Set of gaskets
Dichtungssatz
Jeu de joints
Juego de juntas

| REF. | PART NO. | DESCRIPTION | REMARK | QTY. | KIT |
|--------------|-----------|----------------------|--------|------|-----|
| 503 28 04-13 | 503280413 | CARBURETTOR | | 1 | |
| 503 28 04-11 | 503280411 | CARBURETTOR | | 1 | |
| 501 22 15-01 | 501221501 | SCREW | | 1 | |
| 537 04 13-01 | 537041301 | FUEL PUMP COVER | | 1 | |
| 501 22 13-01 | 501221301 | GASKET | | 1 | |
| 501 22 12-01 | 501221201 | DIAGRAM | | 1 | |
| 503 66 19-01 | 503661901 | CHOKE LEVER | | 1 | |
| 503 98 82-01 | 503988201 | SCREEN | | 1 | |
| 503 53 39-01 | 503533901 | TUBE CONNECTOR | | 1 | |
| 501 82 18-01 | 501821801 | THROTTLE SH: E' RING | | 1 | |
| 501 82 17-01 | 501821701 | WASHER | | 1 | |
| 537 06 98-01 | 537069801 | PLUG WELCH | | 1 | |
| 503 77 98-01 | 503779801 | CHECKVALVE ASSY | | 1 | |
| 537 10 83-01 | 537108301 | JET | | 1 | |
| 503 57 86-01 | 503578601 | BALL | | 1 | |
| 505 31 65-50 | 505316550 | NEEDLE | | 1 | |
| 501 22 25-01 | 501222501 | SPRING | | 1 | |
| 501 22 20-01 | 501222001 | LEVER | | 1 | |
| 501 22 21-01 | 501222101 | PIN | | 1 | |
| 501 48 52-01 | 501485201 | SCREW | | 1 | |
| 501 22 08-01 | 501220801 | GASKET | | 1 | |
| 501 22 09-01 | 501220901 | DIAPHRAGM | | 1 | |
| 503 53 36-01 | 503533601 | DIAPHRAGM | | 1 | |
| 503 48 63-01 | 503486301 | SCREW | | 1 | |
| 503 65 28-01 | 503652801 | SPRING | | 1 | |
| 537 06 89-01 | 537068901 | SPRING | | 1 | |
| 503 98 85-01 | 503988501 | RING | | 1 | |
| 537 06 90-01 | 537069001 | NEEDLE | | 1 | |
| 537 06 95-01 | 537069501 | MODULE | | 1 | |
| 537 07 00-01 | 537070001 | LIMITER CAP | | 1 | |
| 537 13 00-01 | 537130001 | NEEDLE | | 1 | |
| 503 98 86-01 | 503988601 | NEEDLE | | 1 | |
| 537 04 16-01 | 537041601 | SPRING | | 1 | |
| 537 04 15-01 | 537041501 | SHAFT ASSY | | 1 | |
| 537 10 82-01 | 537108201 | THROTTLE SHUTTER | | 1 | |
| 503 57 87-01 | 503578701 | IDLE SPEED SCREW | | 1 | |
| 537 04 14-01 | 537041401 | CHOKE LEVER | | 1 | |
| 503 65 27-01 | 503652701 | SCREW SHUTTER | | 1 | |
| 502 01 22-01 | 502012201 | VALVE | | 1 | |
| 537 04 19-01 | 537041901 | LEVER | | 1 | |
| 504 52 14-03 | 504521403 | THRO.RETU.SPR.SLEEVE | | 1 | |

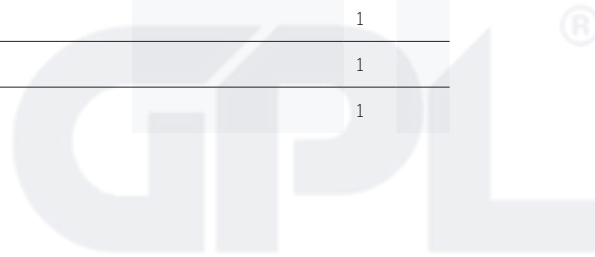
| REF. | PART NO. | DESCRIPTION | REMARK | QTY. | KIT |
|--------------|-----------|-------------|--------|------|-----|
| 537 04 18-01 | 537041801 | SPRING | | 1 | |
| 501 22 04-01 | 501220401 | BALL | | 1 | |
| 501 22 05-01 | 501220501 | SPRING | | 1 | |

GPL®

H *compl 537 00 03-72

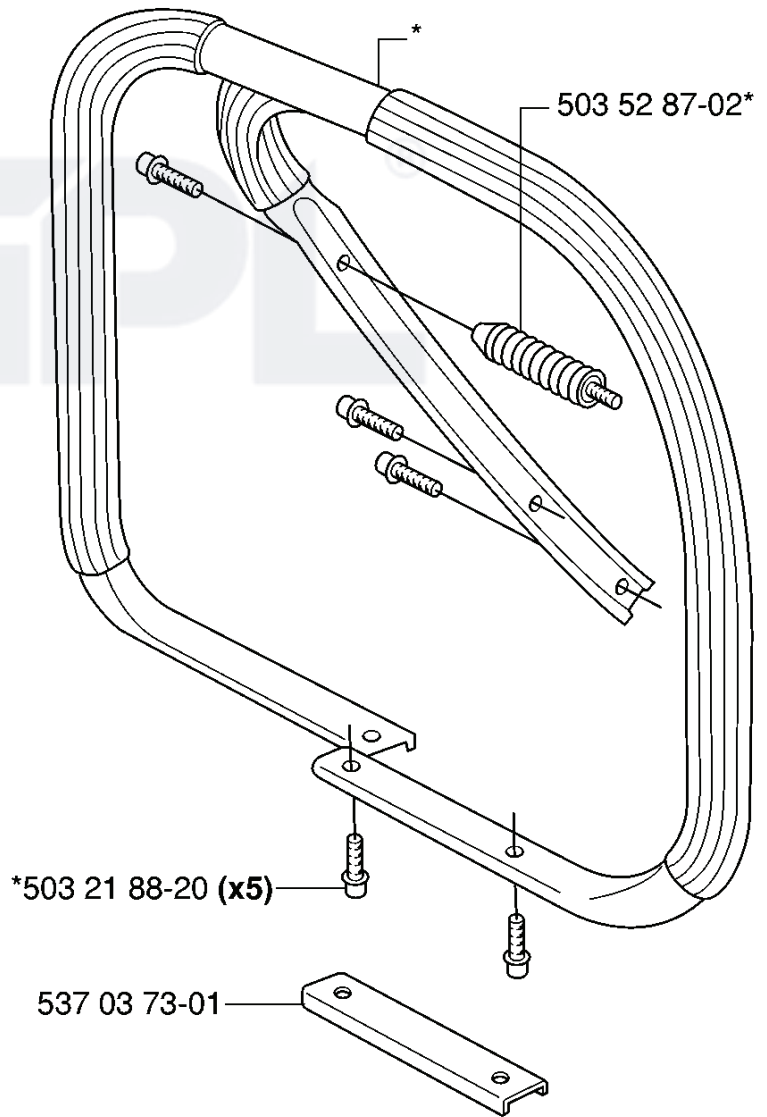


| REF. | PART NO. | DESCRIPTION | REMARK | QTY. | KIT |
|--------------|-----------|---------------------|--------|------|-----|
| 537 00 03-72 | 537000372 | FUEL TANK | | 1 | |
| 544 32 49-06 | 544324906 | FUEL HOSE | | 1 | |
| 537 09 22-01 | 537092201 | TANK VENT ASSY | | 1 | |
| 537 09 93-01 | 537099301 | CONNECTION BEND | | 1 | |
| 544 32 50-02 | 544325002 | FUEL HOSE | | 1 | |
| 503 21 88-20 | 503218820 | SCREW IHSCT | | 1 | |
| 537 00 88-02 | 537008802 | COVER | | 1 | |
| 503 44 32-01 | 503443201 | FUEL FILTER | | 1 | |
| 537 01 75-01 | 537017501 | INSULATOR | | 1 | |
| 537 21 52-01 | 537215201 | TANK CAP ASSY | | 1 | |
| 537 21 50-01 | 537215001 | SEALING | | 1 | |
| 503 57 89-01 | 503578901 | HOLDER | | 1 | |
| 537 01 79-01 | 537017901 | INSULATOR | | 1 | |
| 537 03 34-02 | 537033402 | HANDLE INSERT | | 1 | |
| 720 12 72-20 | 720127220 | PARALLEL PIN | | 1 | |
| 503 82 98-02 | 503829802 | THROTTLE TRIGGER | | 1 | |
| 503 73 64-01 | 503736401 | SPRING | | 1 | |
| 503 55 66-02 | 503556602 | THROTTLE LOCKOUT | | 1 | |
| 503 71 76-01 | 503717601 | THROTTLE CABLE ASSY | | 1 | |
| 720 12 40-20 | 720124020 | PARALLEL PIN | | 1 | |





*compl 537 16 79-01 WA

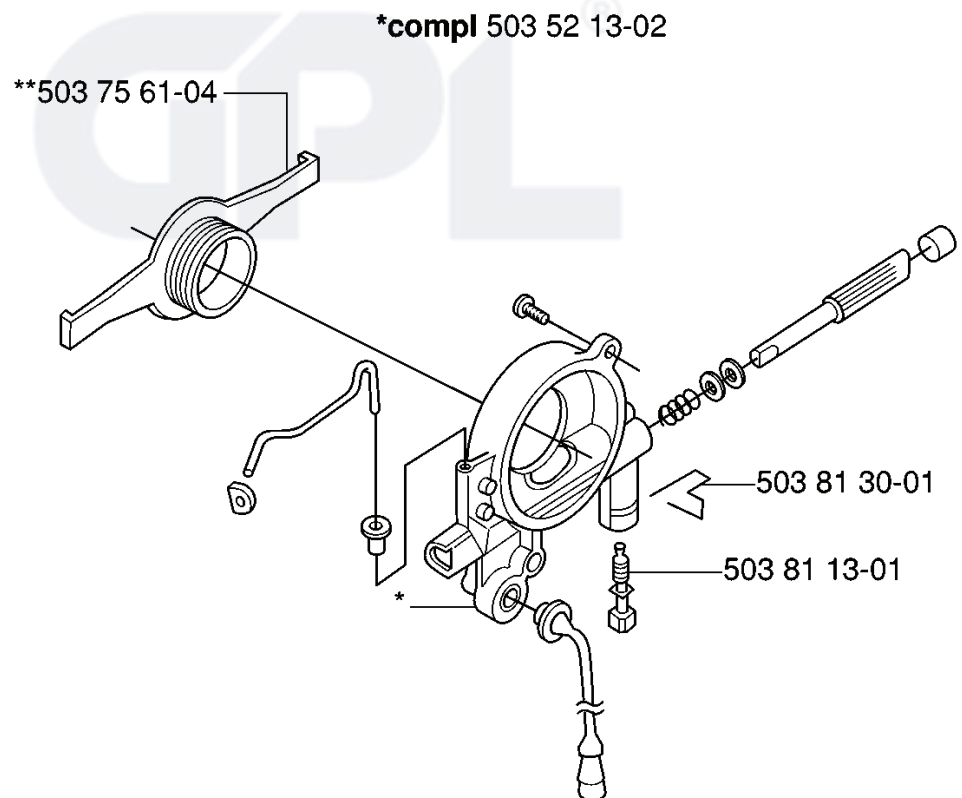


| REF. | PART NO. | DESCRIPTION | REMARK | QTY. | KIT |
|--------------|-----------|-------------------|--------|------|-----|
| 537 16 79-01 | 537167901 | FRONT HANDLE ASSY | | 1 | |
| 503 21 88-20 | 503218820 | SCREW IHSCT | | 5 | |
| 537 03 73-01 | 537037301 | REINFORCING PLATE | | 1 | |
| 503 52 87-02 | 503528702 | INSULATOR | | 1 | |



R 

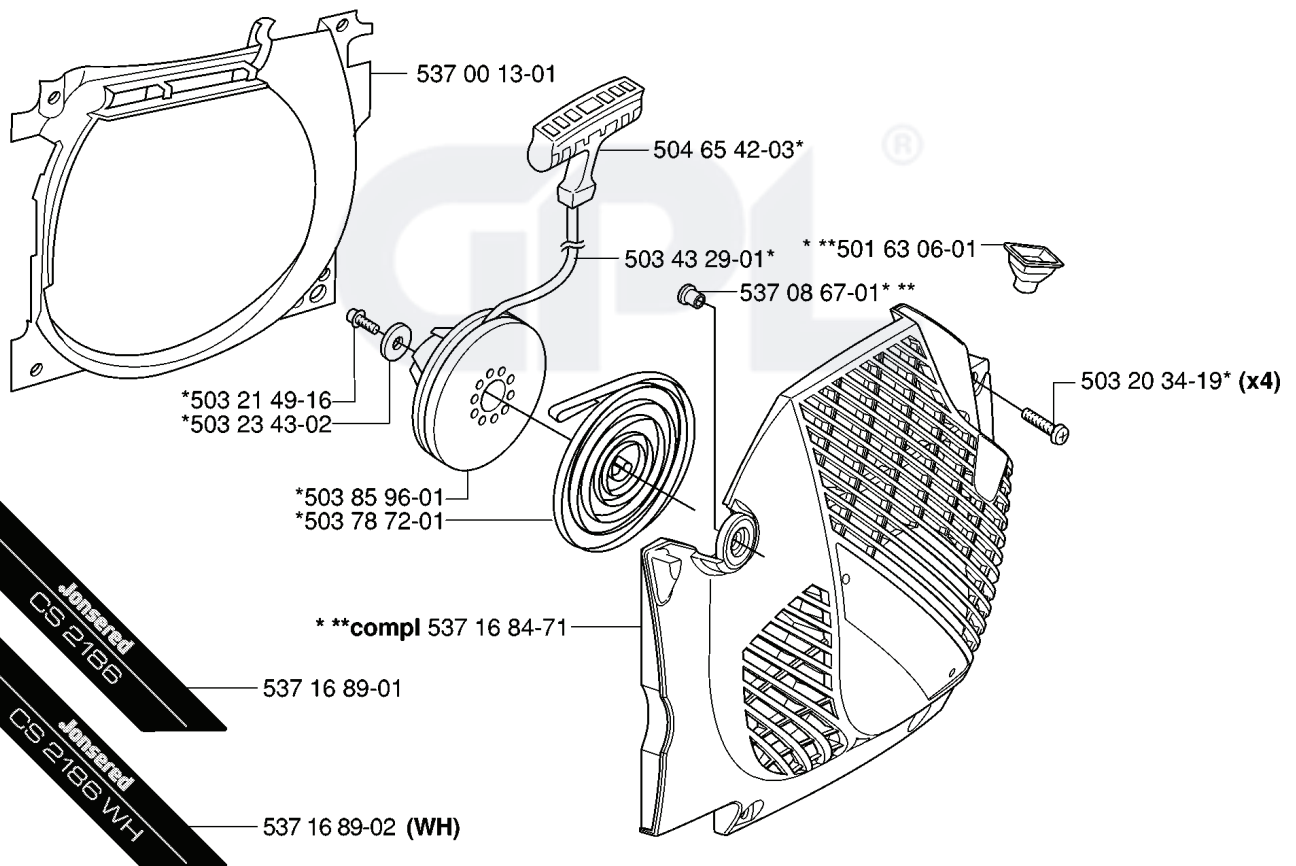
Up to 060600001.



| REF. | PART NO. | DESCRIPTION | REMARK | QTY. | KIT |
|------------|-----------|---------------|--------|------|-----|
| 5037561-04 | 503756104 | GEAR WHEEL | | 1 | |
| 5038113-01 | 503811301 | SCREW | | 1 | |
| 5038130-01 | 503813001 | SPRING | | 1 | |
| 5035213-02 | 503521302 | OIL PUMP ASSY | | 1 | |



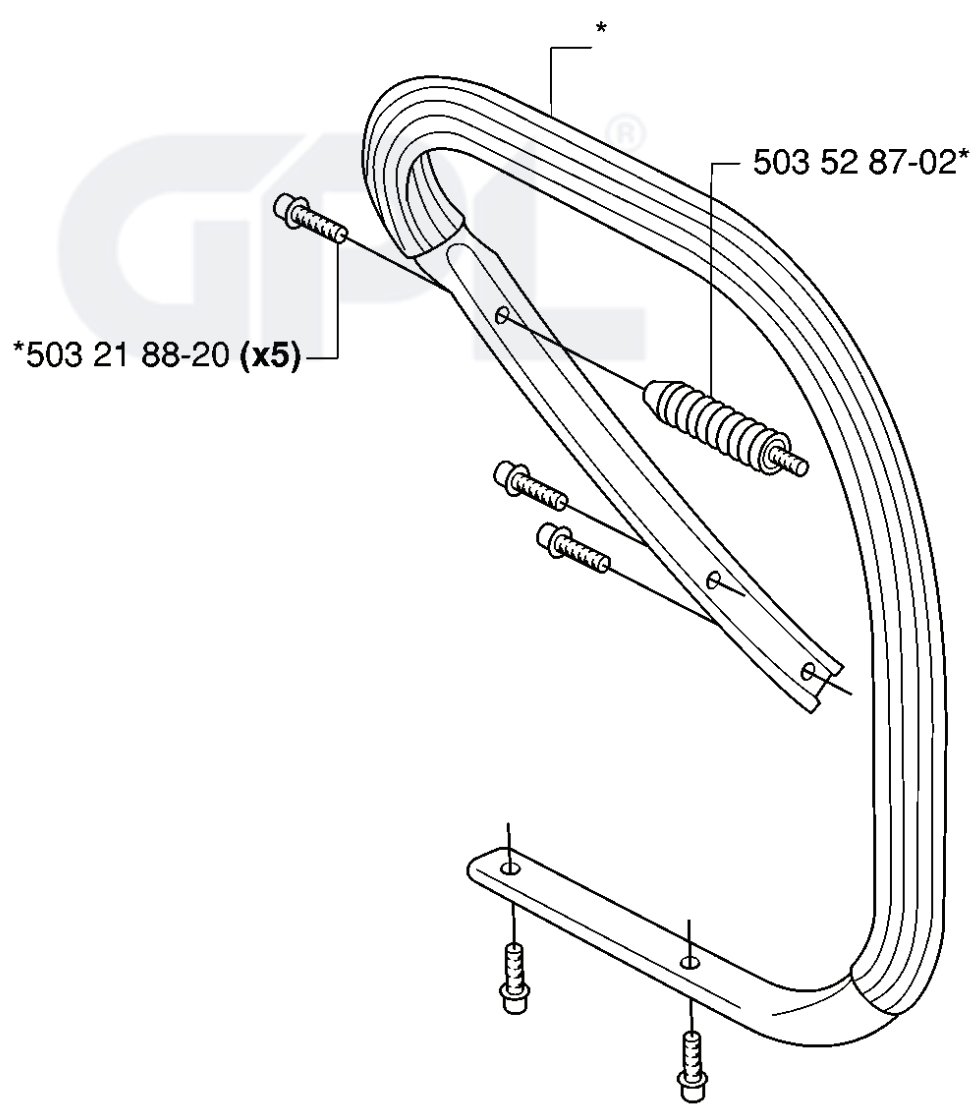
N *compl 537 16 83-71



| REF. | PART NO. | DESCRIPTION | REMARK | QTY. | KIT |
|--------------|-----------|-----------------|--------|------|-----|
| 537 16 83-71 | 537168371 | STARTER ASSY | | 1 | |
| 537 00 13-01 | 537001301 | AIR CONDUCTOR | | 1 | |
| 503 21 49-16 | 503214916 | SCREW IHSCFT | | 1 | |
| 503 23 43-02 | 503234302 | WASHER | | 1 | |
| 503 85 96-01 | 503859601 | STARTER PULLEY | | 1 | |
| 503 78 72-01 | 503787201 | RECOIL SPRING | | 1 | |
| 537 16 84-71 | 537168471 | STARTER HOUSING | | 1 | |
| 537 16 89-01 | 537168901 | LABEL | | 1 | |
| 537 16 89-02 | 537168902 | LABEL | | 1 | |
| 503 20 34-19 | 503203419 | SCREW CCRPANMO | | 4 | |
| 537 08 67-01 | 537086701 | BUSHING | | 1 | |
| 503 43 29-01 | 503432901 | STARTER ROPE | | 1 | |
| 501 63 06-01 | 501630601 | SLEEVE | | 1 | |
| 504 65 42-03 | 504654203 | STARTER HANDLE | | 1 | |



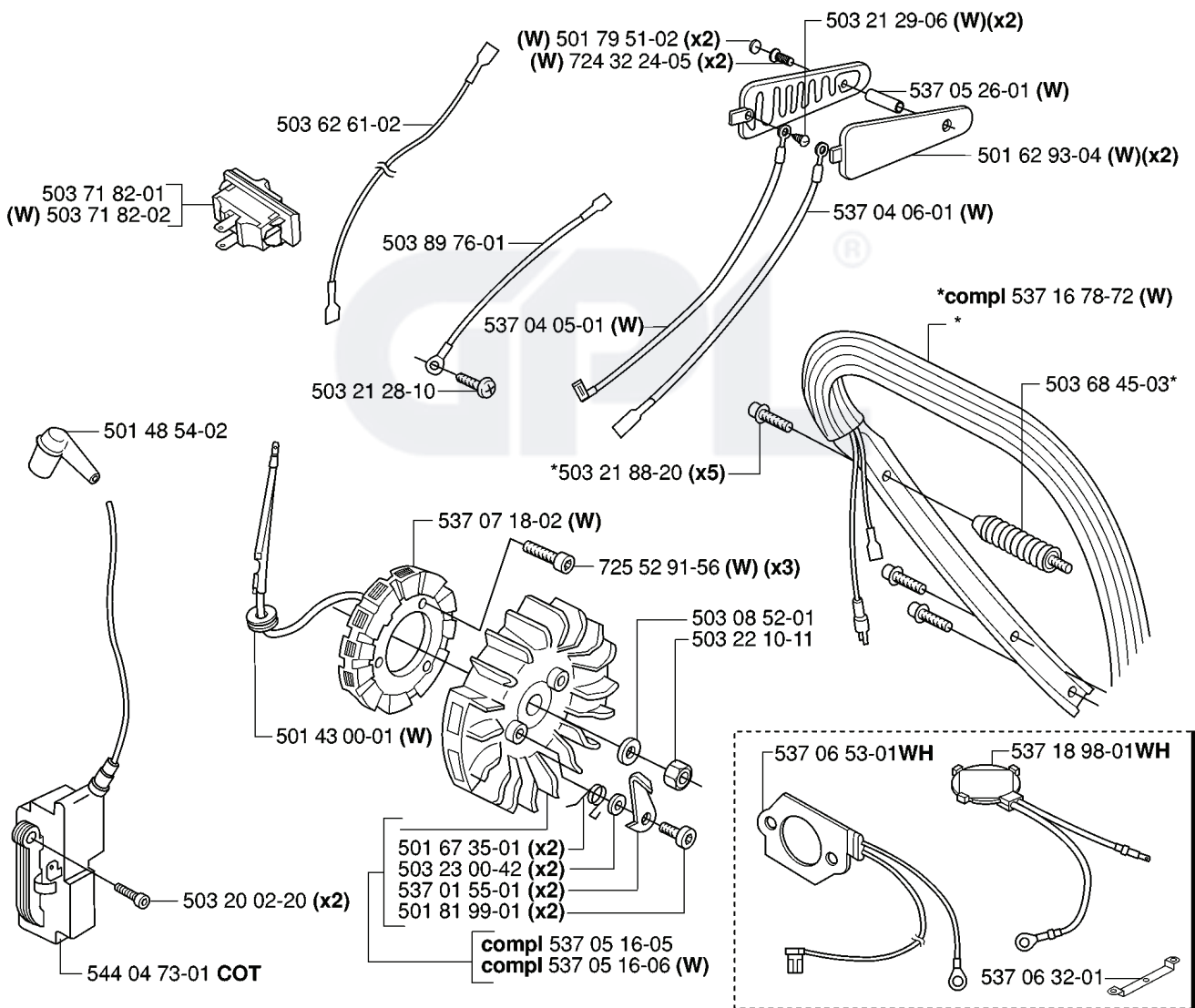
K *compl 537 16 78-71
*compl 537 16 78-72 (W)



| REF. | PART NO. | DESCRIPTION | REMARK | QTY. | KIT |
|--------------|-----------|-------------------|--------|------|-----|
| 537 16 78-71 | 537167871 | FRONT HANDLE ASSY | | 1 | |
| 537 16 78-72 | 537167872 | FRONT HANDLE ASSY | | 1 | |
| 503 21 88-20 | 503218820 | SCREW IHSCT | | 5 | |
| 503 52 87-02 | 503528702 | INSULATOR | | 1 | |

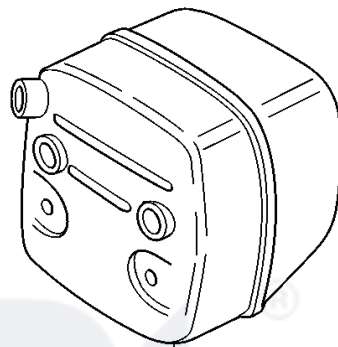


M



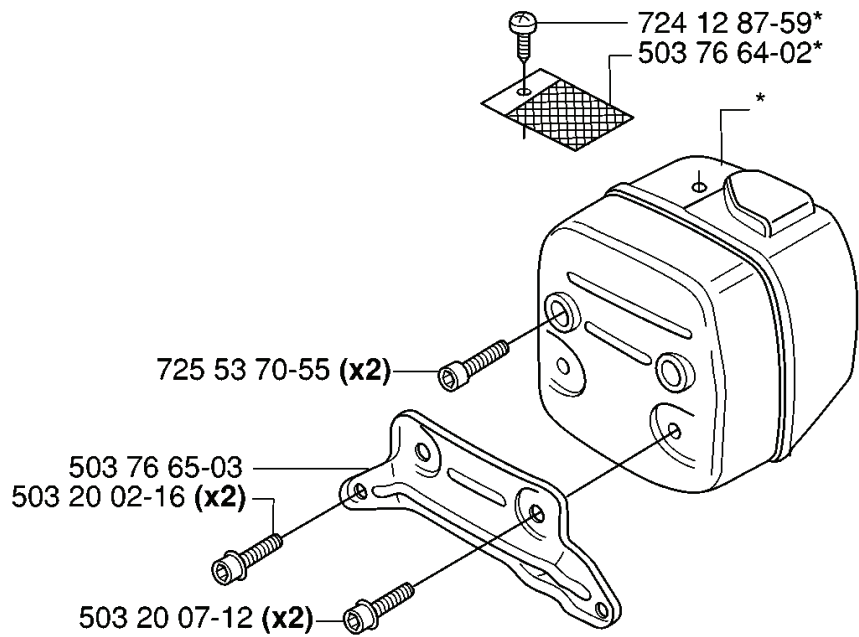
| REF. | PART NO. | DESCRIPTION | REMARK | QTY. | KIT |
|------------|-----------|-----------------------|--------|------|-----|
| 5036261-02 | 503626102 | CABLE | | 1 | |
| 5037182-01 | 503718201 | SWITCH | | 1 | |
| 5037182-02 | 503718202 | SWITCH | | 1 | |
| 5014854-02 | 501485402 | SPARK PLUG CAP | | 1 | |
| 5014300-01 | 501430001 | CABLE GROMMET | | 1 | |
| 5032002-20 | 503200220 | SCREW IHSCFM | | 2 | |
| 5440473-01 | 544047301 | IGNITION MODULE | | 1 | |
| 5370516-06 | 537051606 | FLYWHEEL ASSY | | 1 | |
| 5370516-05 | 537051605 | FLYWHEEL ASSY | | 1 | |
| 5018199-01 | 501819901 | SCREW | | 2 | |
| 5370155-01 | 537015501 | STARTER PAWL | | 2 | |
| 5032300-42 | 503230042 | WASHER | | 2 | |
| 5016735-01 | 501673501 | SPRING | | 2 | |
| 5370718-02 | 537071802 | STATOR ASSY | | 1 | |
| 5032128-10 | 503212810 | SCREW CCRPANT | | 1 | |
| 5038976-01 | 503897601 | CABLE | | 1 | |
| 5017951-02 | 501795102 | COVER WASHER | | 2 | |
| 7243224-05 | 724322405 | SCREW CRCSFM | | 2 | |
| 5370405-01 | 537040501 | CABLE | | 1 | |
| 5032188-20 | 503218820 | SCREW IH SCT | | 5 | |
| 7255291-56 | 725529156 | SCREW IHSCM | | 3 | |
| 5030852-01 | 503085201 | WASHER | | 1 | |
| 5032210-11 | 503221011 | HEXAGON NUT | | 1 | |
| 5370653-01 | 537065301 | FOIL ELEMENT | | 1 | |
| 5370632-01 | 537063201 | RETAINER | | 1 | |
| 5371898-01 | 537189801 | THERMOSTAT ASSY | | 1 | |
| 5036845-03 | 503684503 | ANTIVIBRATION ELEMENT | | 1 | |
| 5371678-72 | 537167872 | FRONT HANDLE ASSY | | 1 | |
| 5370406-01 | 537040601 | CABLE | | 1 | |
| 5016293-04 | 501629304 | HANDLE INSERT | | 2 | |
| 5370526-01 | 537052601 | SPACER | | 1 | |
| 5032129-06 | 503212906 | SCREW CCRPANT | | 2 | |

F compl 503 95 90-03 Jungle
*compl 503 95 90-04 DF



503 95 91-01 Tube

GPL



| REF. | PART NO. | DESCRIPTION | REMARK | QTY. | KIT |
|--------------|-----------|-----------------------|--------|------|-----|
| 503 95 90-03 | 503959003 | MUFFLER ASSY | | 1 | |
| 503 95 90-04 | 503959004 | MUFFLER ASSY | | 1 | |
| 725 53 70-55 | 725537055 | SCREW IHSCM | | 2 | |
| 503 76 65-03 | 503766503 | BRACKET | | 1 | |
| 503 20 02-16 | 503200216 | SCREW IHSCFM | | 2 | |
| 503 20 07-12 | 503200712 | SCREW IHSCFM | | 2 | |
| 503 76 64-02 | 503766402 | SPARK ARRESTER SCREEN | | 1 | |
| 724 12 87-59 | 724128759 | SCREW CRPANM | | 1 | |
| 503 95 91-01 | 503959101 | MUFFLER PIPE | | 1 | |

