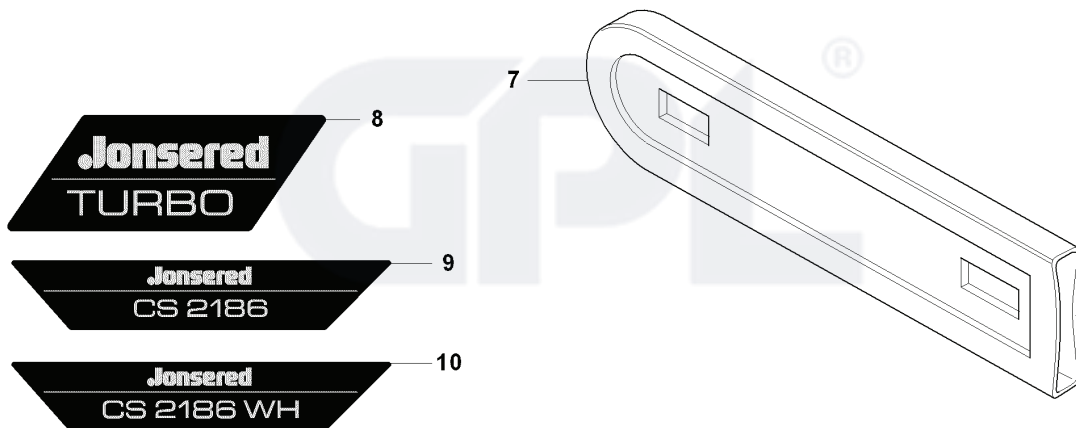
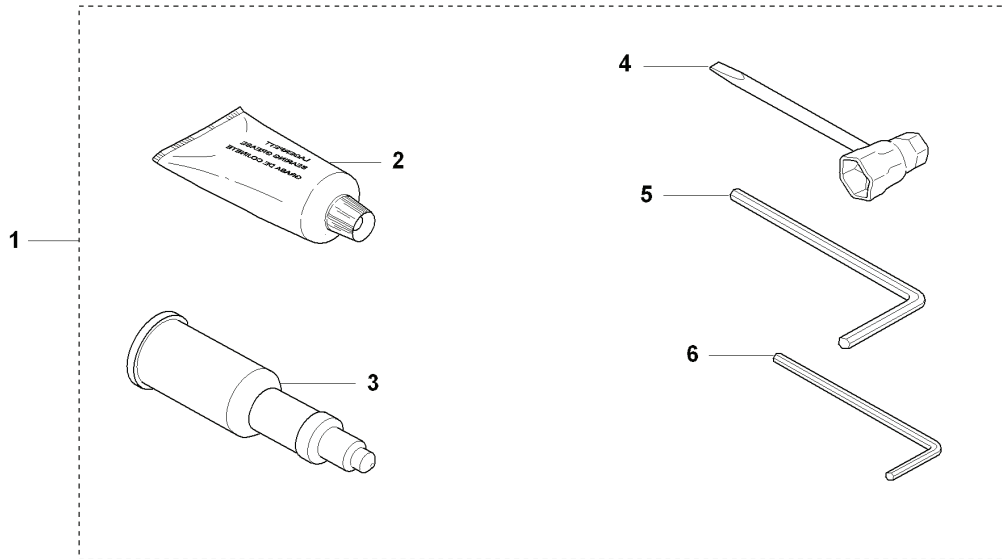


CS2186, EPA, 2009-05

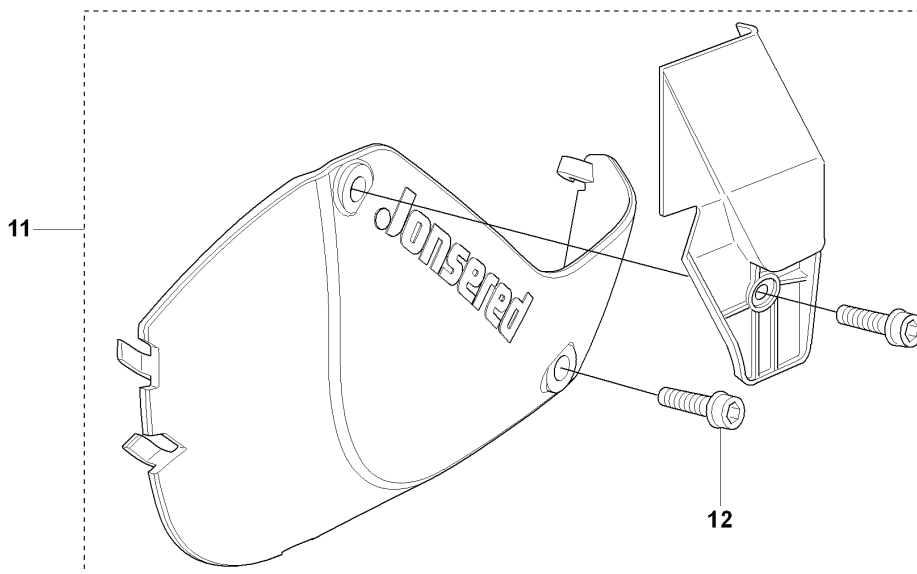


SPARE PARTS LIST

P CS2186, CS2188
ACCESSORIES



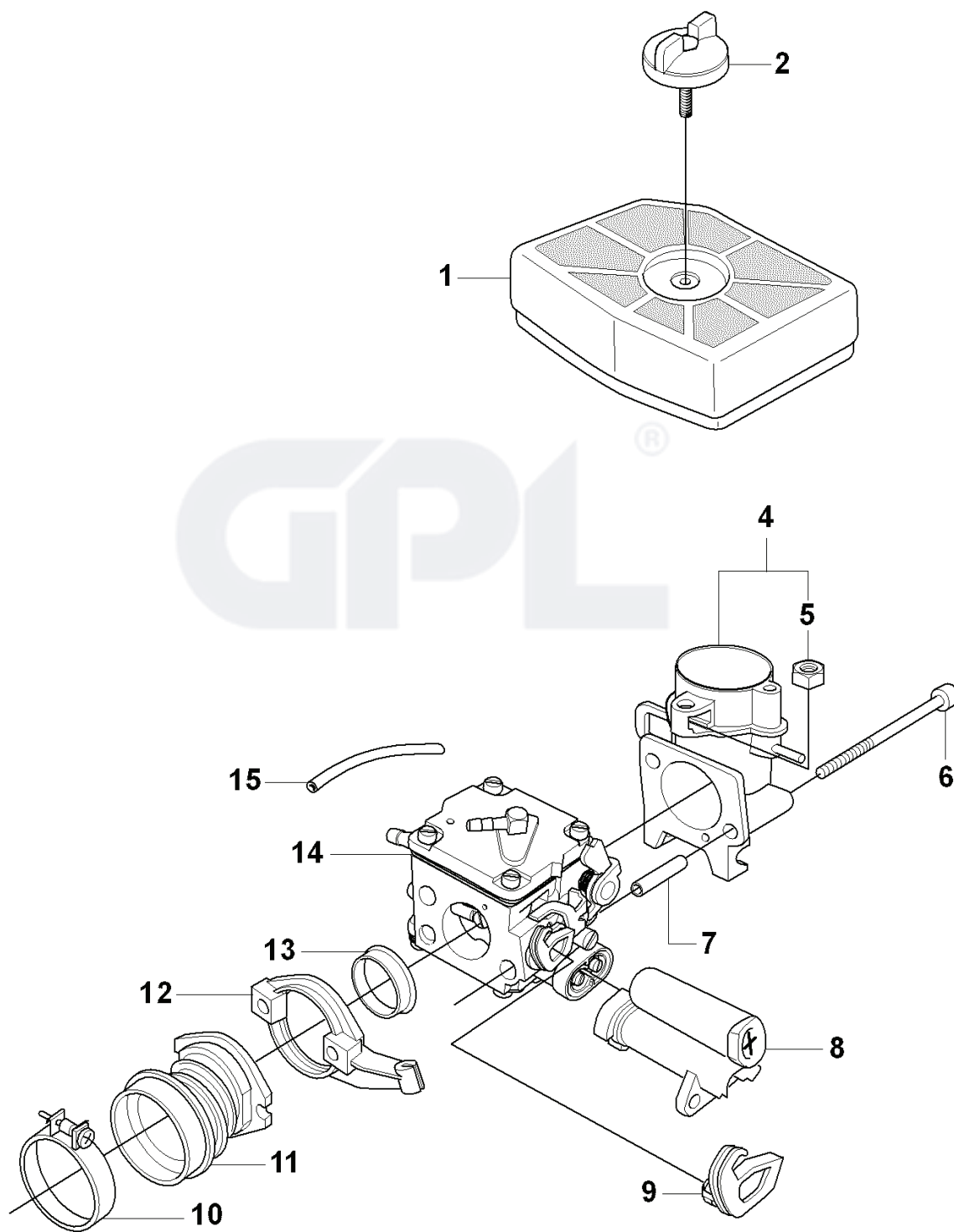
WINTER KIT



REF.	PART NO.	DESCRIPTION	REMARK	QTY.	KIT
1	503558501	TOOL		1	
2	503621201	GREASE		1	1
3	501911401	GREASE GUN		1	1
4	501691702	COMBINATION WRENCH		1	1
5	503558602	SPANNER		1	1
6	503558601	SPANNER		1	1
7	501834402	BAR COVER		1	
7	501834405	BAR COVER		1	
7	501834502	BAR COVER		1	
8	537244301	LABEL		1	
9	537168901	LABEL		1	
9	537168905	LABEL		1	
10	537168902	LABEL		1	
11	537201101	WINTER KIT		1	
12	503217016	SCREW CCRPANT		2	11



G CS2186, CS2188
INTAKE

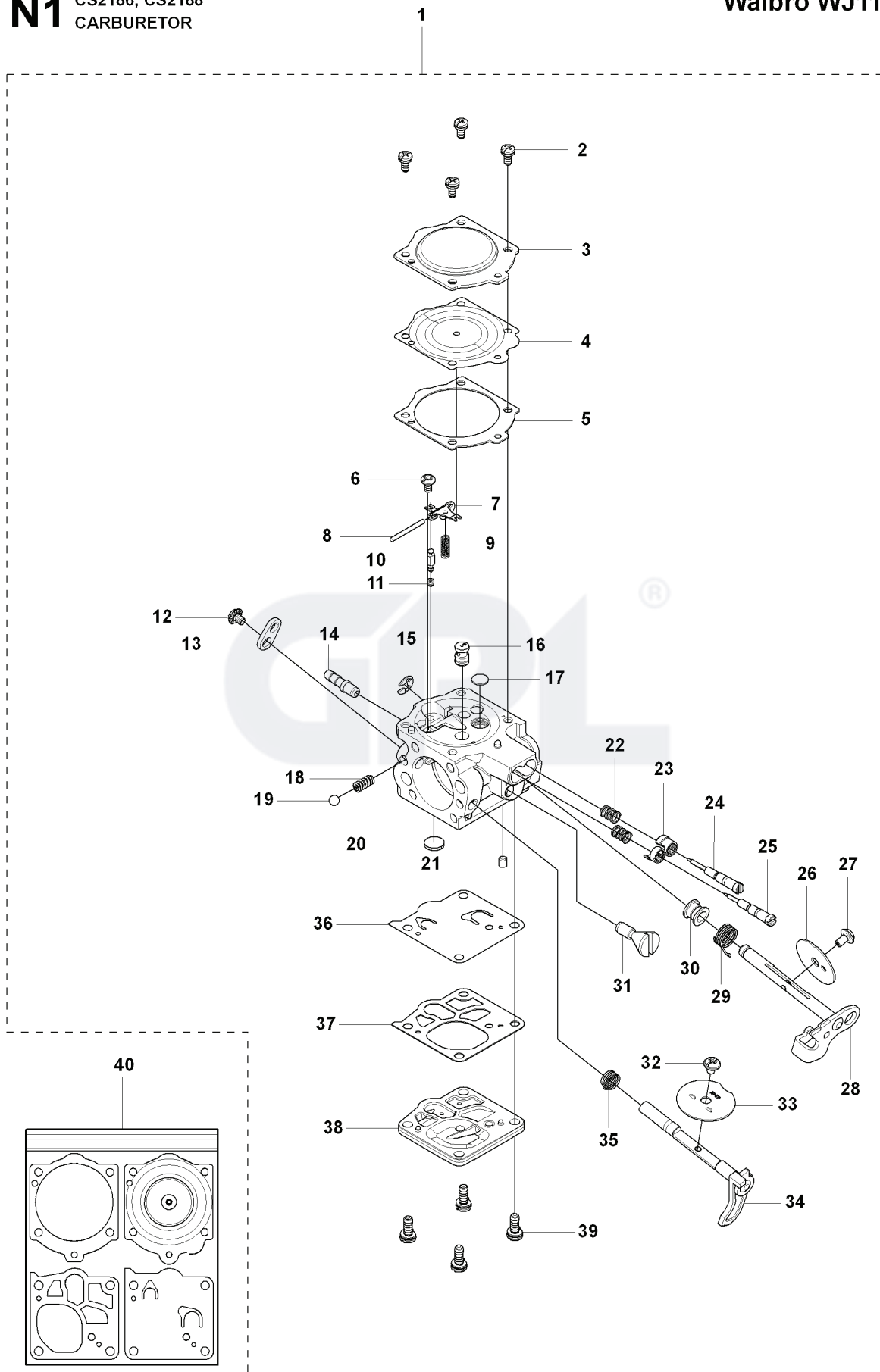


REF.	PART NO.	DESCRIPTION	REMARK	QTY.	KIT
1	537014701	AIR FILTER ASSY	80μ	1	
1	537014702	AIR FILTER ASSY	44μ	1	
1	537014703	AIR FILTER ASSY	FELT	1	
2	537213201	KNOB		1	
4	537009101	FILTER HOLDER		1	
5	731231401	HEXAGON NUT		1	4
6	725530955	SCREW IHSCM		2	
7	503701101	TUBE		2	
8	544975101	GUIDE BUSHING		1	
9	503684101	LEVER		1	
10	505283302	HOSE CLAMP		1	
11	537111401	INLET PIPE		1	
12	537003701	FLANGE		1	
13	503962201	SUPPORT SLEEVE		1	
14	501355401	CARBURETTOR	WJ118	1	
14	501355201	CARBURETTOR	WJ116 (EPA)	1	
15	503400604	IMPULSE HOSE		1	



N1 CS2186, CS2188
CARBURETOR

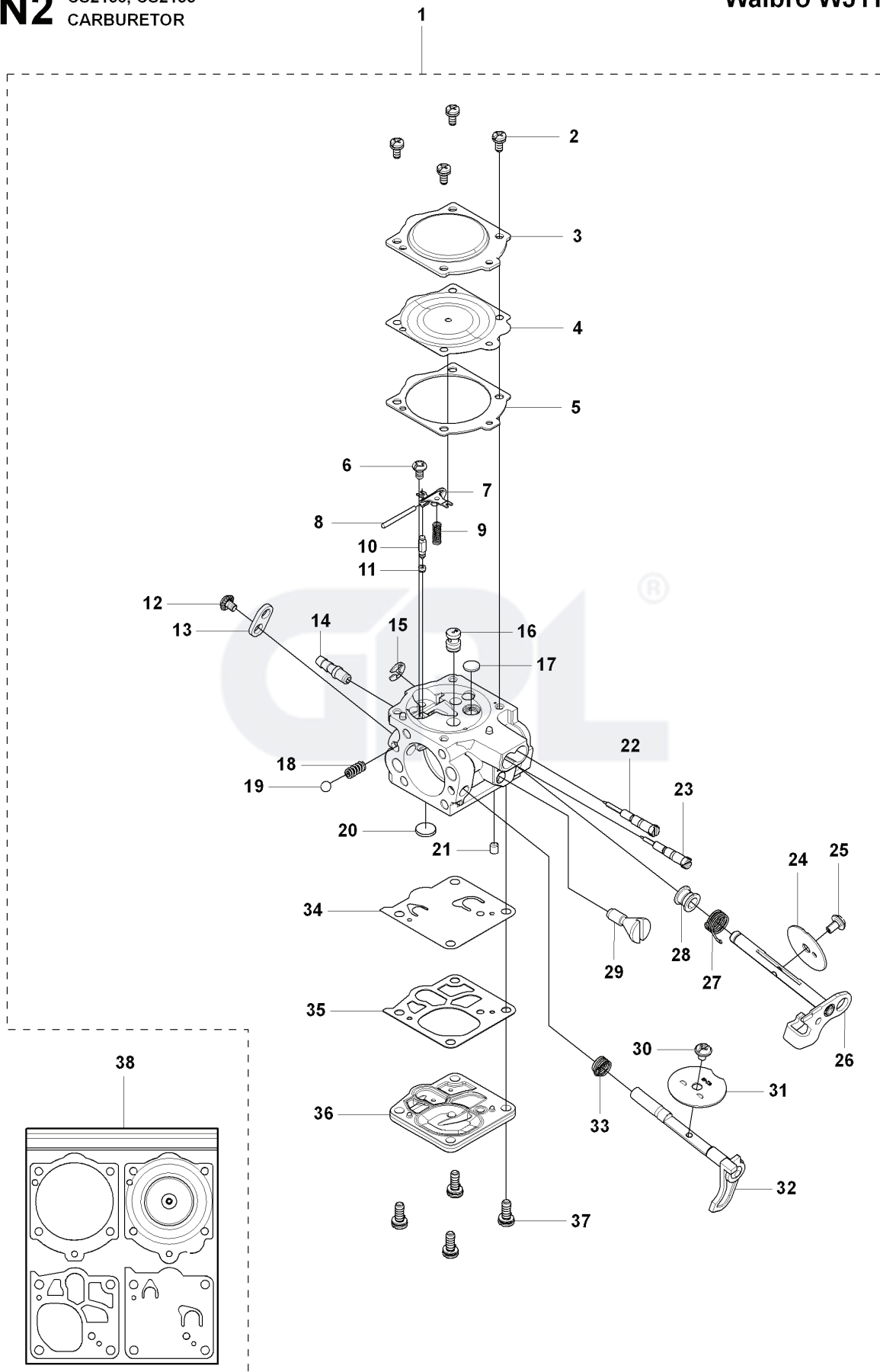
Walbro WJ116



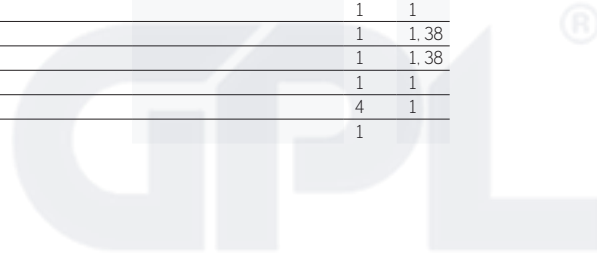
REF.	PART NO.	DESCRIPTION	REMARK	QTY.	KIT
1	501355201	CARBURETTOR		1	
2	503108701	SCREW		4	1
3	505316702	COVER		1	1
4	505316715	DIAPHRAGM ASSY		1	1.40
5	501467501	GASKET		1	1.40
6	505316717	SCREW		1	1
7	505316734	LEVER		1	1
8	505316731	PIN		1	1
9	504791201	SPRING		1	1
10	503563401	NEEDLE VALVE		1	1
11	503592301	SEAT-IN VALVE PLATED		1	1
12	501468701	SCREW		1	1
13	504790701	LEVER		1	1
14	505696901	FITTING		1	1
15	505316736	RING		1	1
16	504790901	NOZZLE		1	1
17	504790801	PLUG		1	1
18	503117701	SPRING		1	1
19	503117101	BALL		1	1
20	501666101	SCREEN		1	1
21	503800501	PLUG		1	1
22	544971001	SPRING		2	1
23	544970801	LIMITER CAP		2	1
24	504791801	NEEDLE		1	1
25	544971301	NEEDLE		1	1
26	503800001	VALVE		1	1
27	544111501	SCREW		1	1
28	504790401	SHAFT ASSY		1	1
29	504791401	SPRING		1	1
30	502103101	BUSHING		2	1
31	504791101	SCREW		1	1
32	537003401	SCREW		1	1
33	505316707	VALVE-CHOKE		1	1
34	504790501	SHAFT ASSY		1	1
35	504791501	SPRING		1	1
36	544897201	DIAPHRAGM PUMP		1	1.40
37	503117201	GASKET		1	1.40
38	504790301	COVER		1	1
39	503117501	SCREW		4	1
40	522591801	KIT		1	

N2 CS2186, CS2188
CARBURETOR

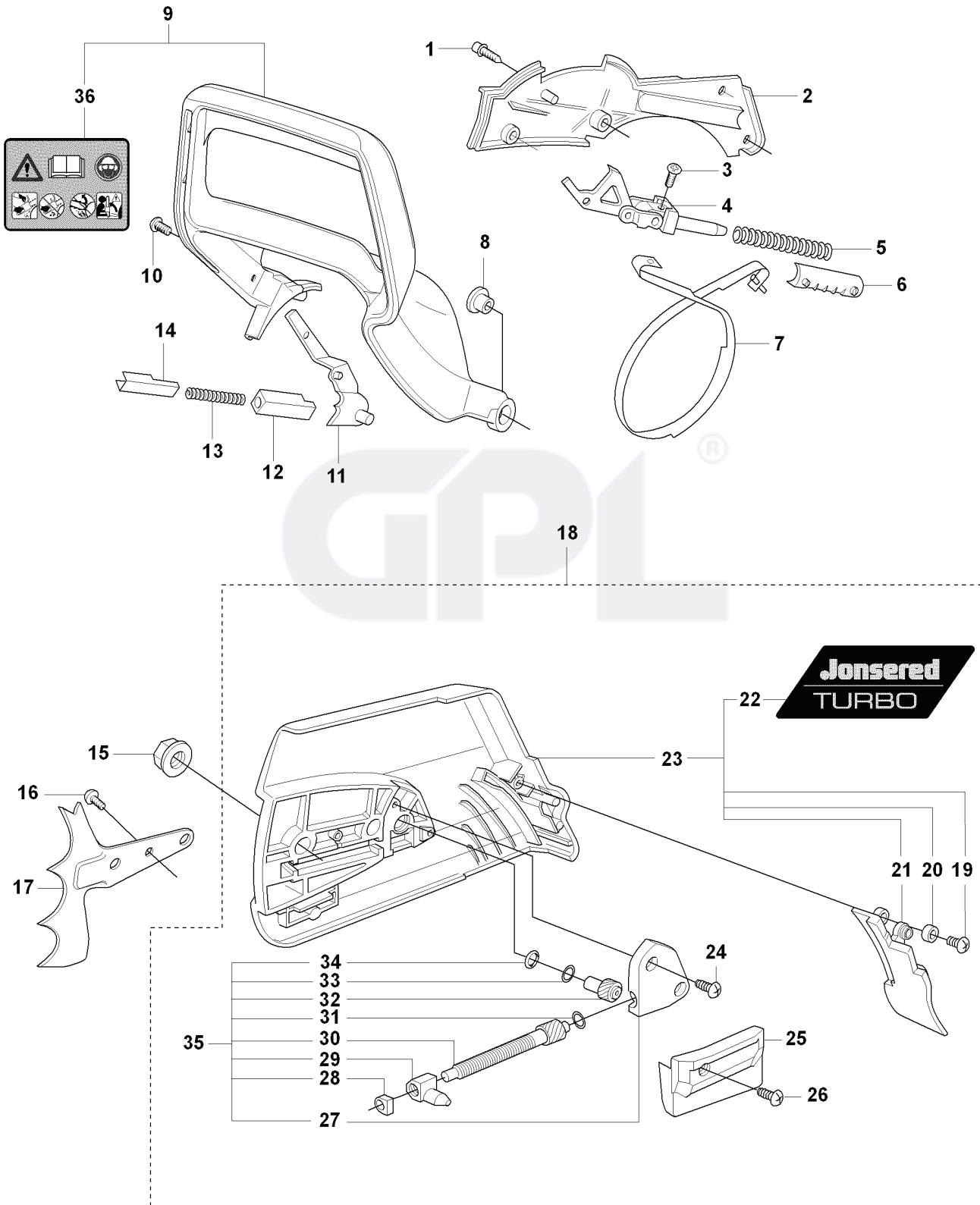
Walbro WJ118



REF.	PART NO.	DESCRIPTION	REMARK	QTY.	KIT
1	501355401	CARBURETTOR		1	
2	503108701	SCREW		4	1
3	505316702	COVER		1	1
4	505316715	DIAPHRAGM ASSY		1	1.38
5	501467501	GASKET		1	1.38
6	505316717	SCREW		1	1
7	505316734	LEVER		1	1
8	505316731	PIN		1	1
9	504791201	SPRING		1	1
10	503563401	NEEDLE VALVE		1	1
11	503592301	SEAT-IN VALVE PLATED		1	1
12	501468701	SCREW		1	1
13	504790701	LEVER		1	1
14	505696901	FITTING		1	1
15	505316736	RING		1	1
16	504790901	NOZZLE		1	1
17	504790801	PLUG		1	1
18	503117701	SPRING		1	1
19	503117101	BALL		1	1
20	501666101	SCREEN		1	1
21	503800501	PLUG		1	1
22	504791801	NEEDLE		1	1
23	544971301	NEEDLE		1	1
24	503800001	VALVE		1	1
25	544111501	SCREW		1	1
26	504790401	SHAFT ASSY		1	1
27	504791401	SPRING		1	1
28	502103101	BUSHING		2	1
29	504791101	SCREW		1	1
30	537003401	SCREW		1	1
31	505316707	VALVE-CHOKE		1	1
32	504790501	SHAFT ASSY		1	1
33	504791501	SPRING		1	1
34	544897201	DIAPHRAGM PUMP		1	1.38
35	503117201	GASKET		1	1.38
36	504790301	COVER		1	1
37	503117501	SCREW		4	1
38	522591801	KIT		1	

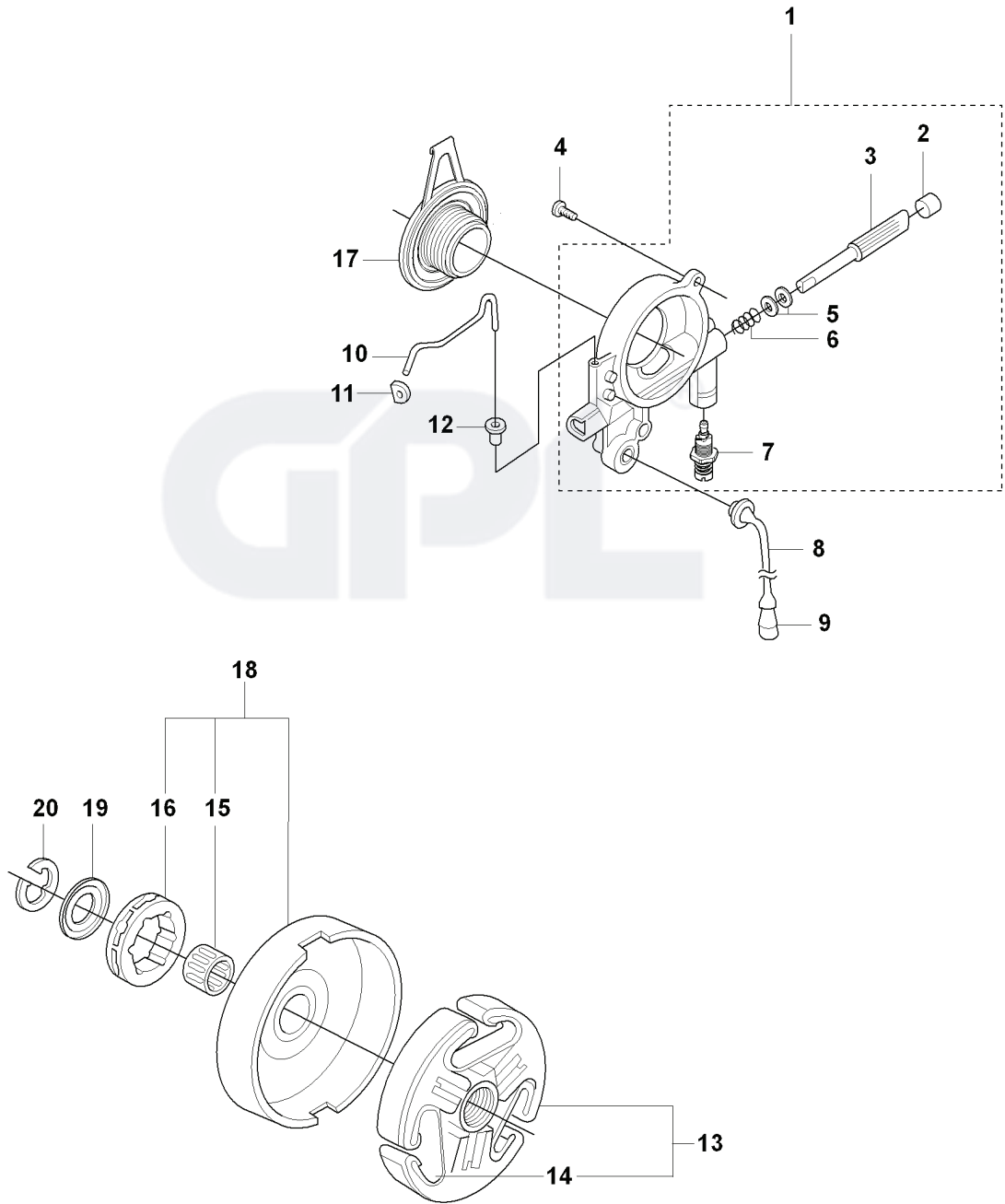


A1 CS2188 BRAKE ASSY



REF.	PART NO.	DESCRIPTION	REMARK	QTY.	KIT
1	503200712	SCREW IHSCFM		4	
2	503751103	HUB CAP		1	
3	503212810	SCREW CCRPANT		1	
4	501875303	KNEE JOINT		1	
5	503709901	BRAKE SPRING		1	
6	503792701	SUPPORT		1	
7	503752202	BRAKE BAND ASSY		1	
8	503775201	BUSHING		1	
9	537195701	HAND GUARD		1	
10	503202512	SCREW IHSCM		1	
11	537008702	BRAKE LEVER		1	
12	503838102	LOCK		1	
13	503436501	POSITION SPRING		1	
14	537016701	WEAR PROTECTION		1	
15	503220001	HEXAGON NUT		1	
16	503212810	SCREW CCRPANT		1	
17	503719701	SPIKE		1	
18	537072002	CLUTCH COVER ASSY		1	
19	503212810	SCREW CCRPANT		1	18, 23
20	503897001	SLEEVE		1	18, 23
21	503762902	CHIP GUARD		1	18, 23
22	537244301	LABEL		1	18, 23
23	537072071	CLUTCH COVER ASSY		1	18
24	503212810	SCREW CCRPANT		2	18
25	537190601	CHAIN GUIDE		1	18
26	503212810	SCREW CCRPANT		1	18
27	537016801	COVER		1	18, 35
28	537017401	BEARING SLEEVE		1	18, 35
29	503998301	PAWL		1	18, 35
30	537079502	WORM SCREW		1	18, 35
31	503230066	WASHER		1	18, 35
32	537079401	WORM WHEEL		1	18, 35
33	503230063	WASHER		1	18, 35
34	740480702	O-RING		1	18, 35
35	537044102	CHAIN TENSIONER		1	18
36	503987401	LABEL		1	9

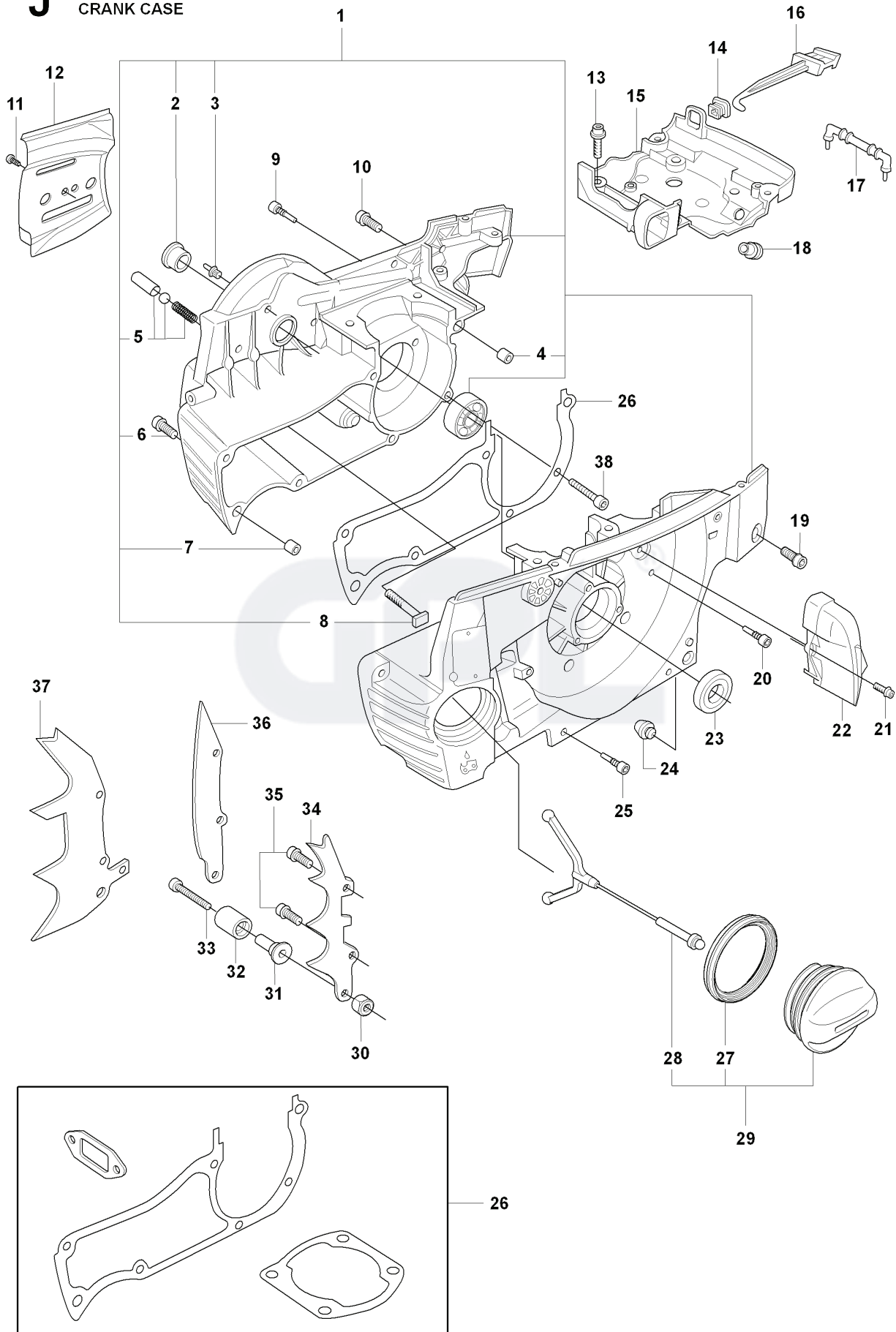
B CS2188
CLUTCH ASSY
OIL PUMP ASSY



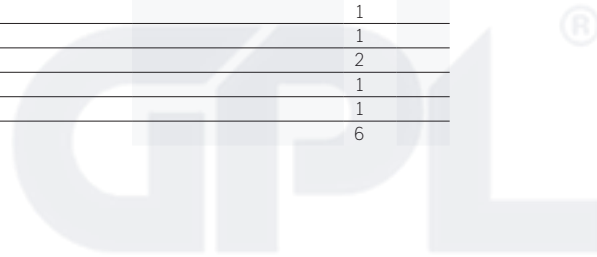
REF.	PART NO.	DESCRIPTION	REMARK	QTY.	KIT
1	503521305	OIL PUMP ASSY		1	
2	503624901	SEALING PLUG		1	1
3	537106401	PUMP PISTON		1	1
4	725532956	SCREW IHSCM		2	
5	503230004	WASHER		2	1
6	501615801	SPRING		1	1
7	537396001	INSERT		1	1
8	503426701	OIL HOSE		1	
9	501544102	OIL SCREEN		1	
10	503774301	OIL PIPE		1	
11	503644701	BUSHING		1	
12	504300026	SEALING		1	
13	503975001	CLUTCH ASSY		1	
14	503975101	CLUTCH SPRING		3	13
15	503432001	NEEDLE HOLDER		1	18
16	501598002	RIM		1	18
16	505303661	RIM		1	18
17	537207806	PUMP PINION		1	
18	537137971	CLUTCH DRUM ASSY		1	
18	537137972	CLUTCH DRUM ASSY		1	
19	503752401	WASHER		1	
20	503272101	E-CLIP		1	



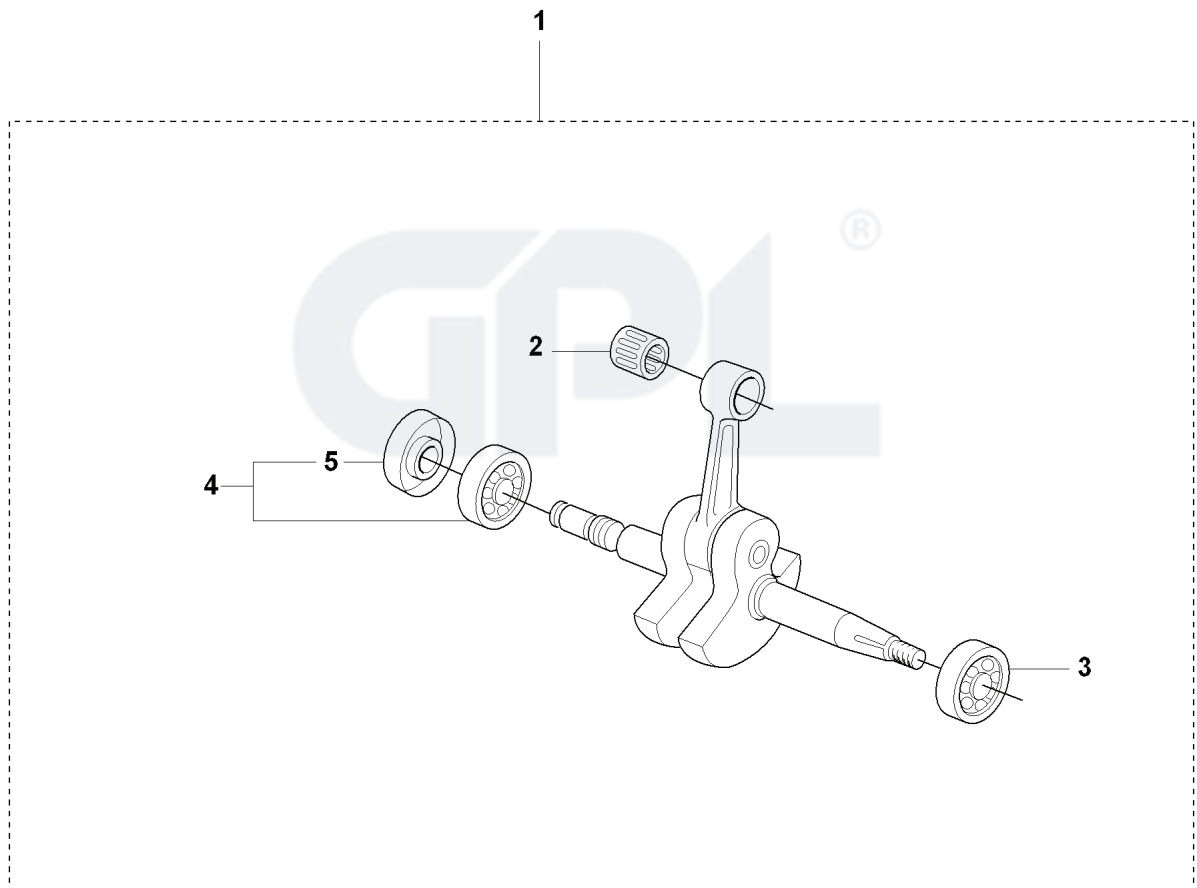
J CS2186, CS2188
CRANK CASE



REF.	PART NO.	DESCRIPTION	REMARK	QTY.	KIT
1	503991106	CRANKCASE ASSY		1	
2	503967001	BUSHING		1	1
3	503751801	PIN		1	1
4	501270801	GUIDE BUSHING		1	1
5	537040301	VALVE		1	1
6	503218825	SCREW IHSCFT		1	
7	501270801	GUIDE BUSHING		1	1
8	537051301	BAR BOLT		2	1
9	503749301	SCREW		1	
10	503218876	SCREW IHSCFT		1	
11	503212810	SCREW CCRPANT		1	
12	537046601	KIT		1	
13	503200712	SCREW IHSCFM		4	
14	503734401	GROMMET		1	
15	537001404	CARBURETTOR		1	
16	537001201	CHOKE CONTROL		1	
17	503678601	STÖTTA FÖRGASARE		1	
18	537095401	GROMMET		1	
19	503218825	SCREW IHSCFT		1	
20	503749301	SCREW		1	
21	503200712	SCREW IHSCFM		1	
22	537007901	AIR NOZZLE		1	
23	503260205	SEALING RING		1	
24	503846101	BUFFER		2	
25	503749301	SCREW		1	
26	537033901	GASKET KIT		1	
27	537215001	SEALING		1	29
28	503578901	HOLDER		1	29
29	537215201	TANK CAP ASSY		1	
30	503222401	LOCK NUT		1	
31	537089201	CHAIN CATCHER		1	
32	537024401	WEAR PROTECTION		1	
33	503200230	SCREW IHSCFM		1	
34	537017101	SPIKE		1	
35	503200216	SCREW IHSCFM		2	
36	537042901	BUMPER		1	
37	537017201	SPIKE		1	
38	503201635	SCREW IHSCFM		6	



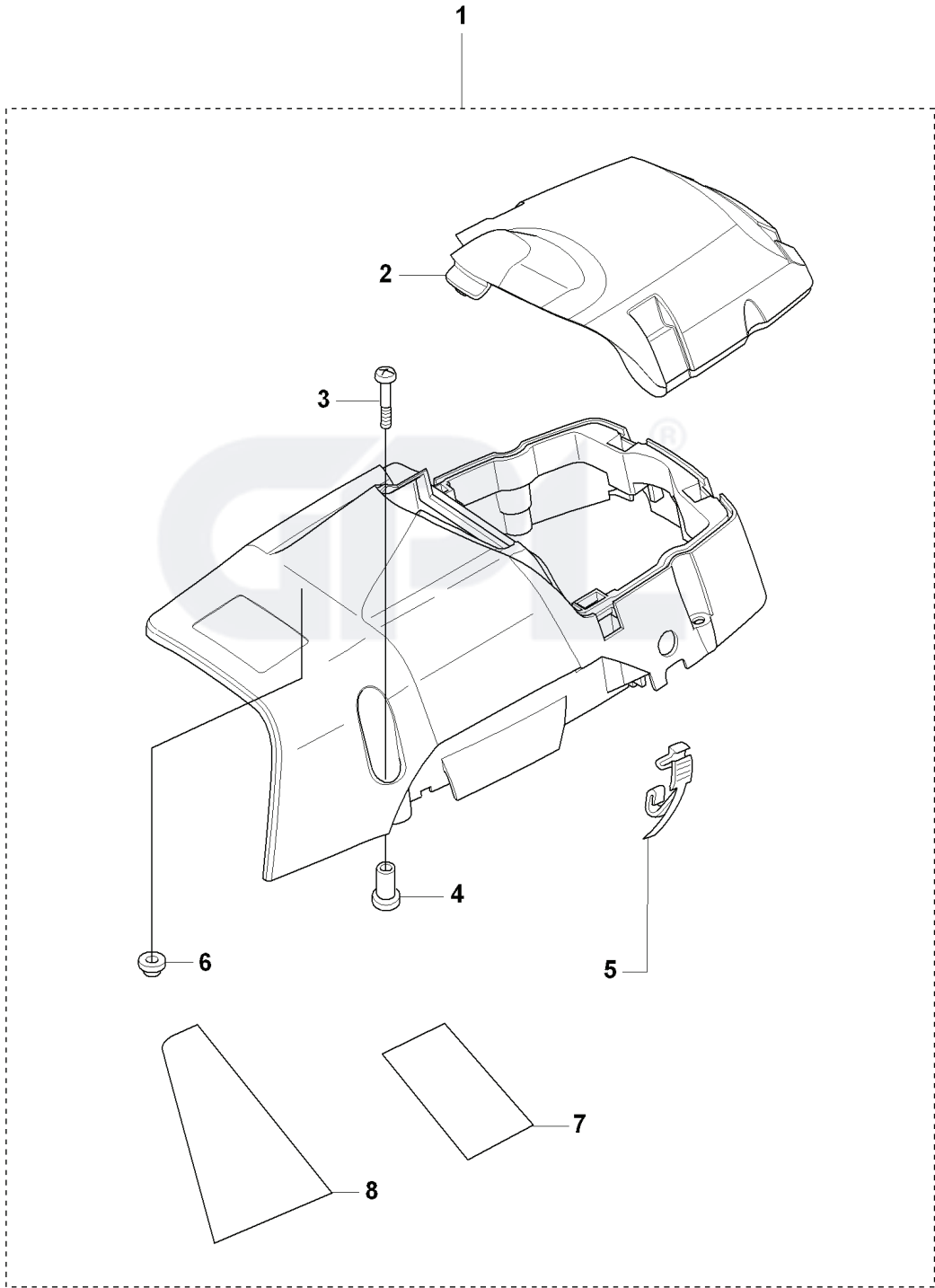
E CS2188
CRANK SHAFT



REF.	PART NO.	DESCRIPTION	REMARK	QTY.	KIT
1	503993404	CRANKSHAFT		1	
2	503256101	NEEDLE BEARING		1	1
3	738220325	BALL BEARING		1	1
4	503251301	BALL BEARING		1	1
5	503262201	SEALING RING		1	1,4



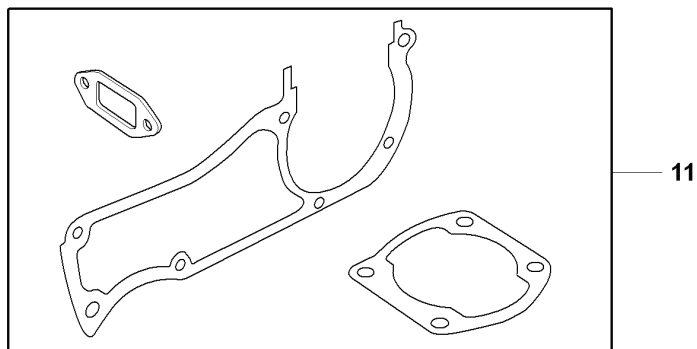
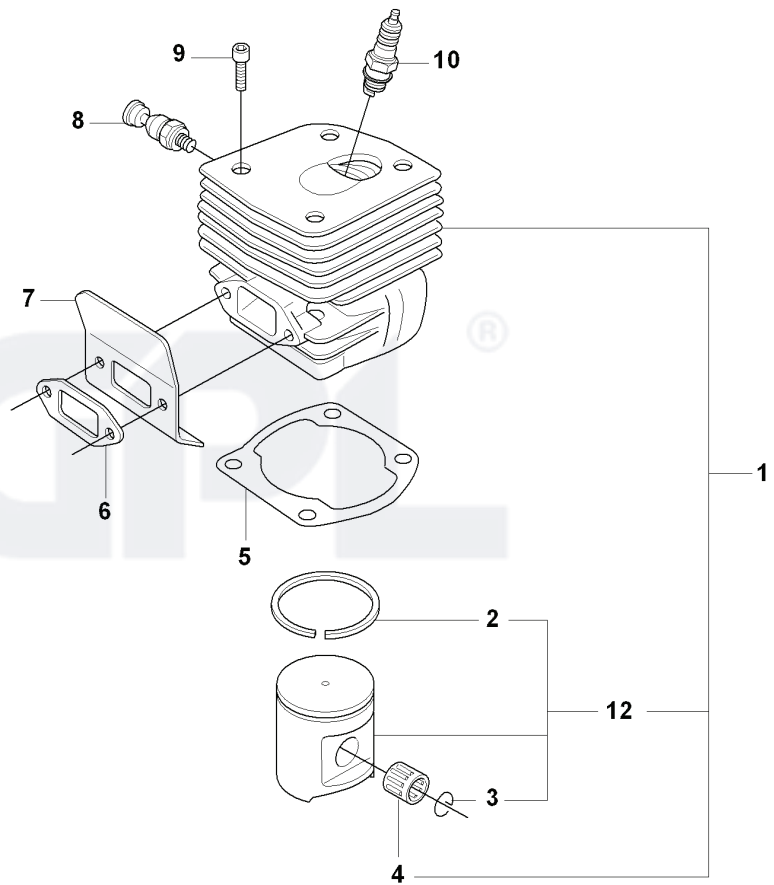
C CS2188
COVER



REF.	PART NO.	DESCRIPTION	REMARK	QTY.	KIT
1	537168001	CYLINDER COVER ASSY		1	
2	537168201	FILTER COVER		1	1
3	503204426	SCREW		3	1
4	537137201	SLEEVE		3	1
5	503699102	SNAP LOCKING		4	1
6	537016501	SUPPORT		1	1
7	537253501	HEAT PROTECTOR		1	1
8	537253401	HEAT PROTECTOR		1	1

GPL®

D CS2188
CYLINDER

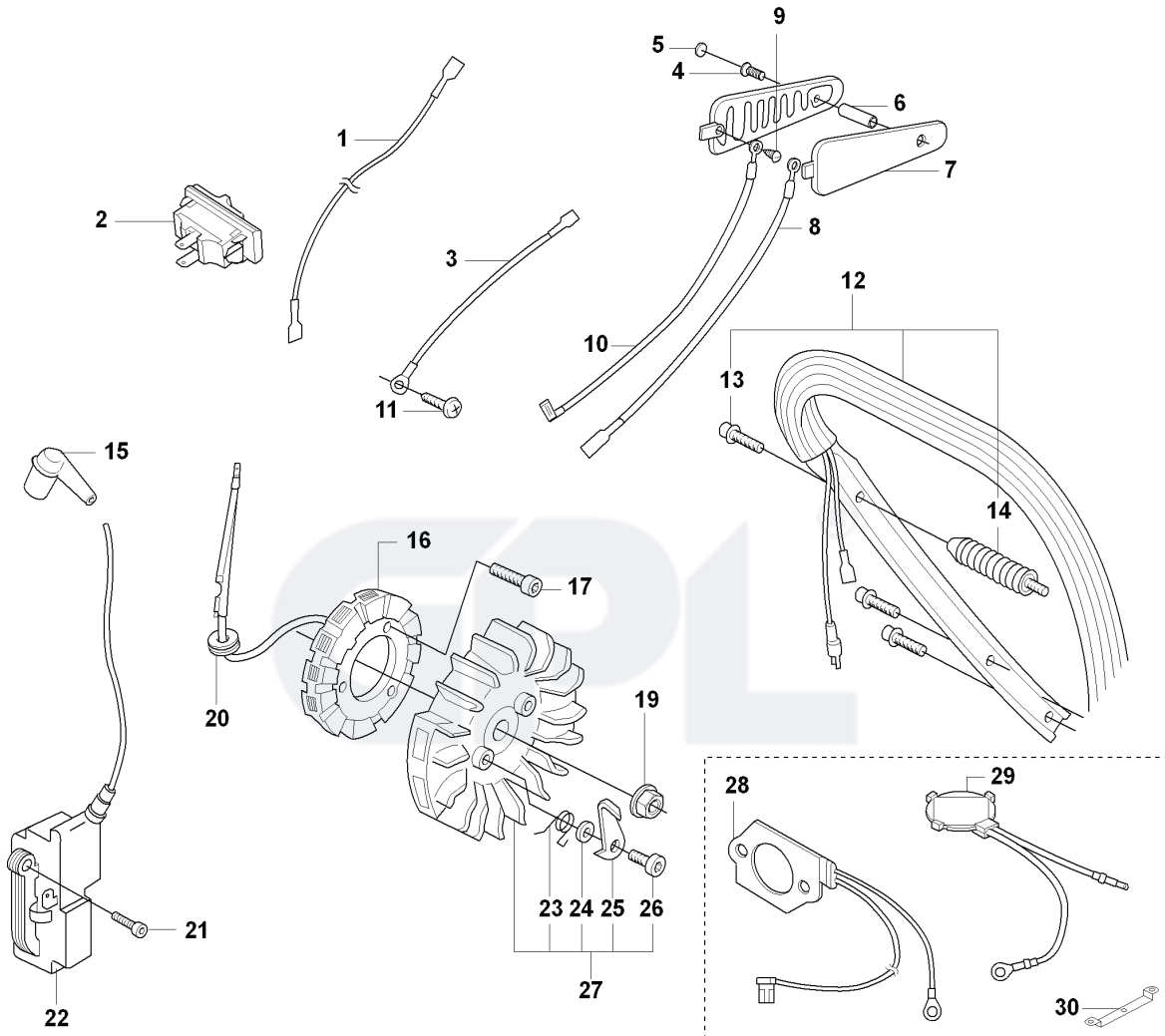


REF.	PART NO.	DESCRIPTION	REMARK	QTY.	KIT
1	537169771	CYLINDER ASSY		1	
1	544006502	CYLINDER ASSY		1	
2	503289053	PISTON RING		2	12
3	737441300	CIRCLIP		2	12
4	503256101	NEEDLE BEARING		1	1
5	537005701	GASKET		1	11
6	503775901	GASKET		1	11
7	537086201	HEAT DEFLECTOR		1	
8	503715301	DECOMPRESSION VALVE		1	
9	725533355	SCREW IHSCM		4	
10	503235108	SPARK PLUG		1	
11	537033901	GASKET KIT		1	
12	537420202	PISTON ASSY		1	1
12	537169871	PISTON ASSY		1	1





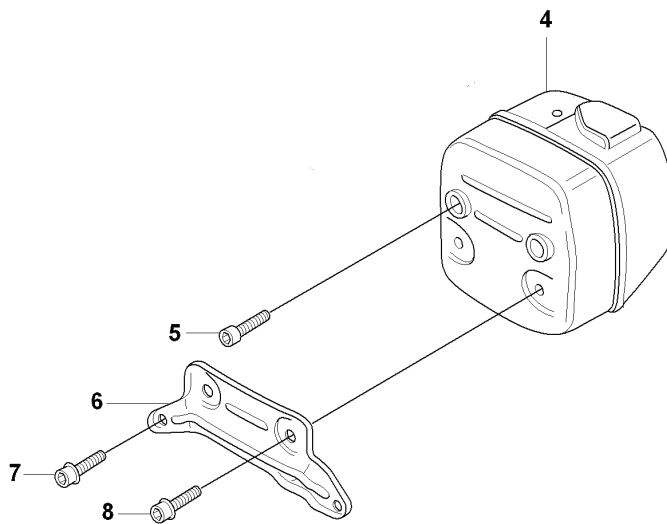
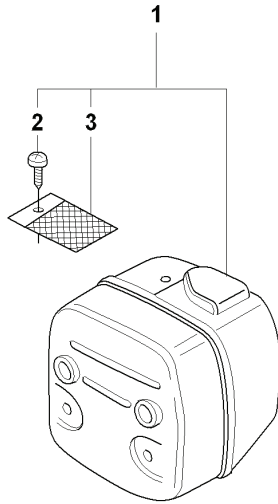
CS2186, CS2188
ROTOR ASSY
MODULE ASSY



REF.	PART NO.	DESCRIPTION	REMARK	QTY.	KIT
1	503626102	CABLE		1	
2	503718201	SWITCH		1	
2	503718202	SWITCH		1	
3	503897601	CABLE		1	
4	724322405	SCREW CRCSFM		2	
5	501795102	COVER WASHER		2	
6	537052601	SPACER		1	
7	501629304	HANDLE INSERT		2	
8	537040601	CABLE		1	
9	503212906	SCREW CCRPANT		2	
10	537040501	CABLE		1	
11	503212810	SCREW CCRPANT		1	
12	537167872	FRONT HANDLE ASSY		1	
13	503218820	SCREW IHSCF		5	12
14	503684503	ANTIVIBRATION ELEMENT		1	12
15	501485402	SPARK PLUG CAP		1	
16	537071802	STATOR ASSY		1	
17	725529156	SCREW IHSCM		3	
19	503220401	NUT		1	
20	501430001	CABLE GROMMET		1	
21	503200220	SCREW IHSCFM		2	
22	510114901	IGNITION MODULE		1	
23	501673501	SPRING		2	27
24	503230042	WASHER		2	27
25	537015501	STARTER PAWL		2	27
26	501819901	SCREW		2	27
27	537051605	FLYWHEEL ASSY		1	
27	537051606	FLYWHEEL ASSY		1	
28	537065301	FOIL ELEMENT		1	
29	537189801	THERMOSTAT ASSY		1	
30	537063201	RETAINER		1	



F CS2188
MUFFLER ASSY



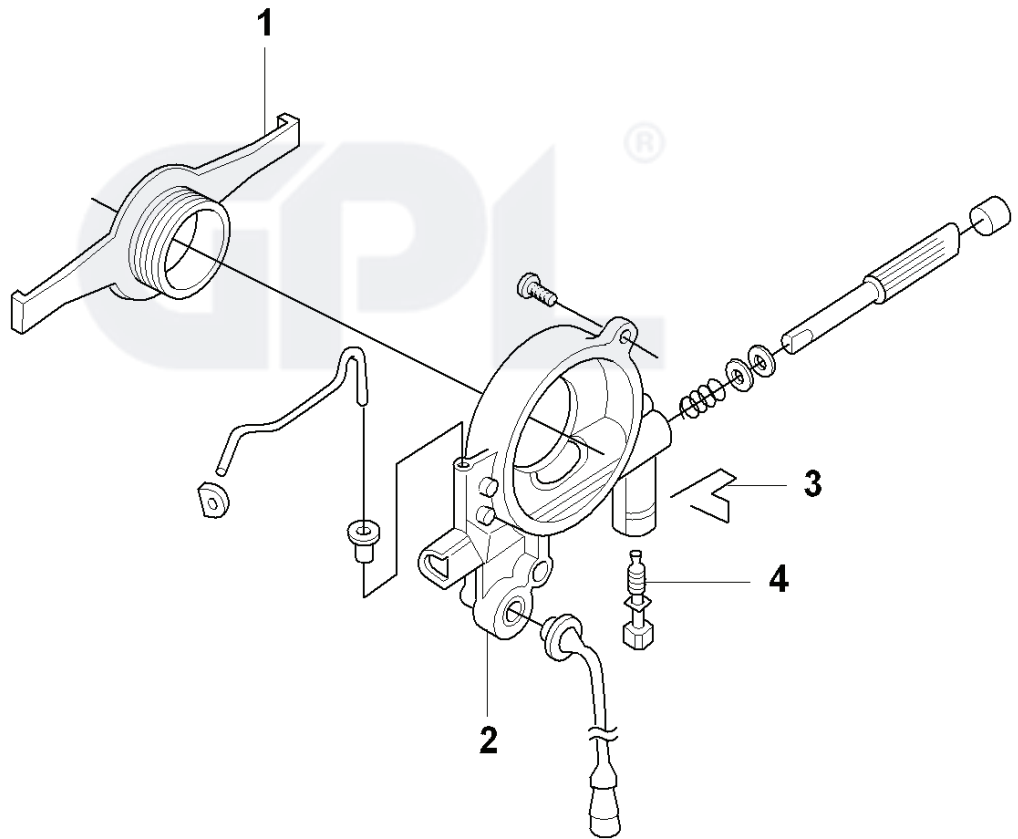
GPL®

REF.	PART NO.	DESCRIPTION	REMARK	QTY.	KIT
1	544029104	MUFFLER ASSY		1	
2	724128759	SCREW CRPANM		1	1
3	503766402	SPARK ARRESTER SCREEN		1	1
4	544029103	MUFFLER ASSY		1	
5	725537055	SCREW IHSCM		2	
6	503766503	BRACKET		1	
7	503200216	SCREW IHSCFM		2	
8	503200712	SCREW IHSCFM		2	



Q CS2186, CS2188
OIL PUMP

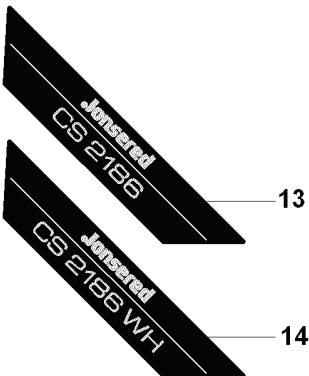
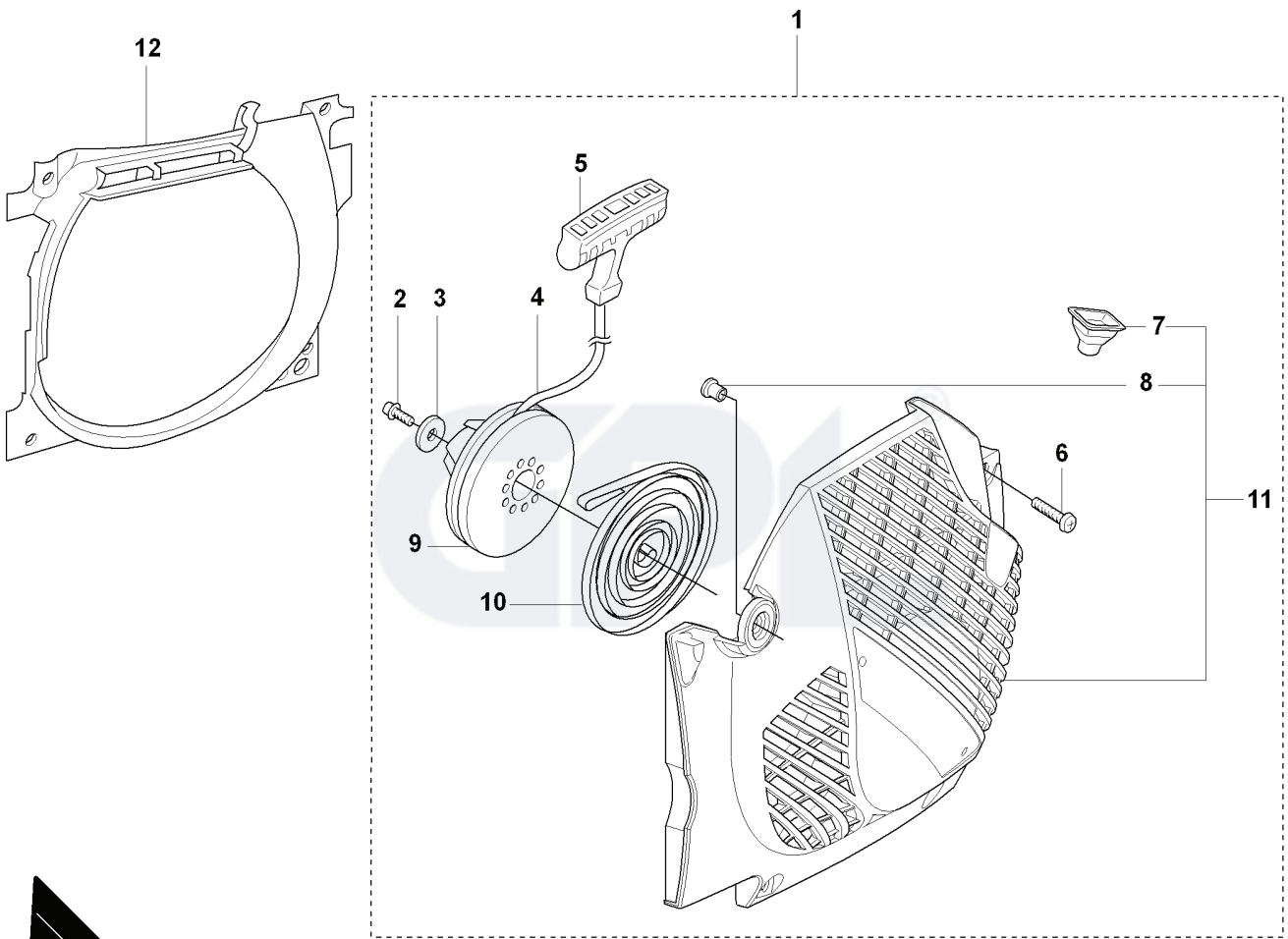
Up to 060600001.



REF.	PART NO.	DESCRIPTION	REMARK	QTY.	KIT
1	503756104	GEAR WHEEL		1	
2	503521302	OIL PUMP ASSY		1	
3	503813001	SPRING		1	
4	503811301	SCREW		1	

GPL®

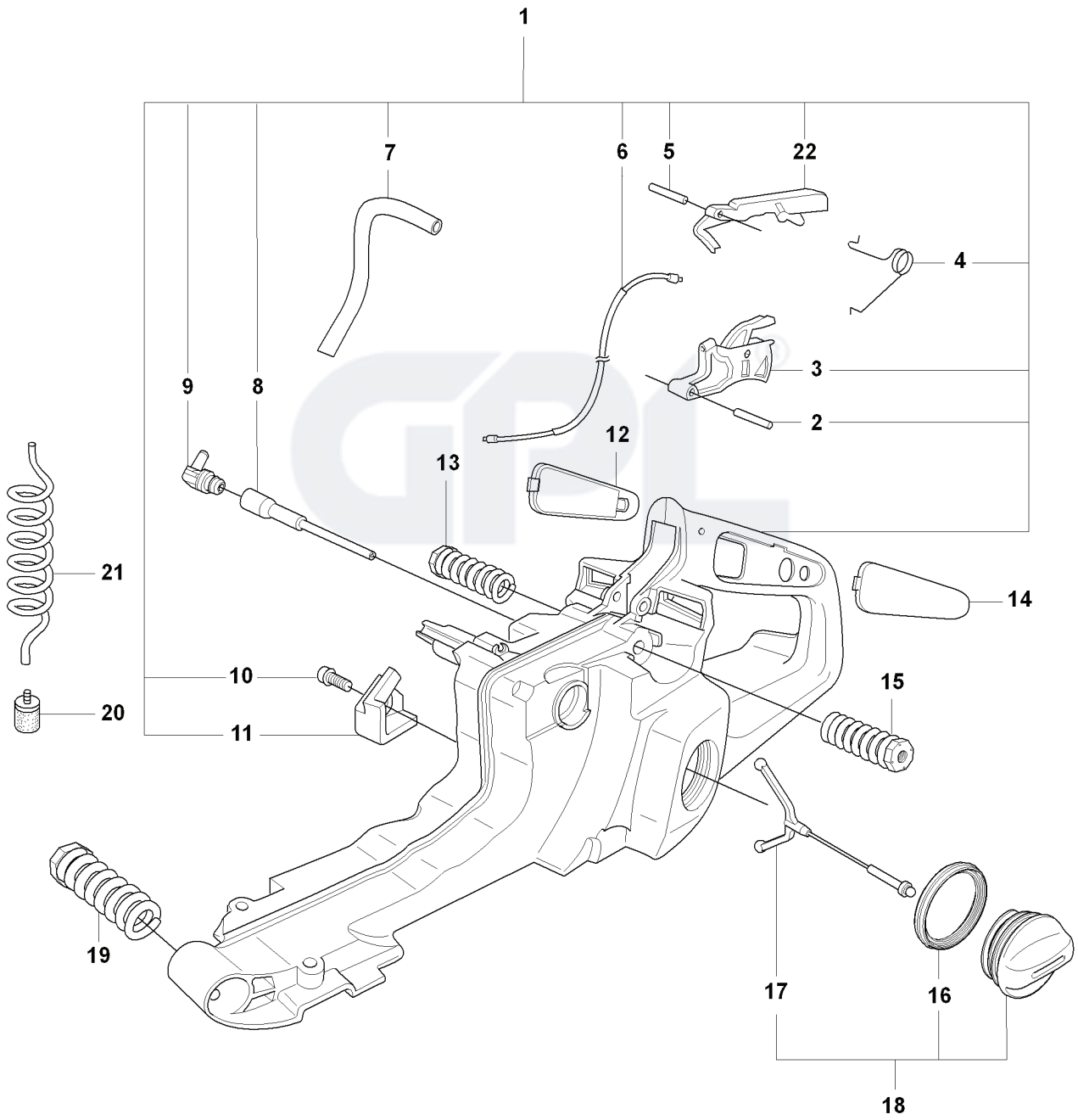
M CS2186, CS2188
STARTER ASSY



REF.	PART NO.	DESCRIPTION	REMARK	QTY.	KIT
1	537168371	STARTER ASSY		1	
2	503214916	SCREW IHSCFT		1	1
3	503234302	WASHER		1	1
4	503432901	STARTER ROPE		1	1
5	504654203	STARTER HANDLE		1	1
6	503203419	SCREW CCRPANMO		4	1,11
7	501630601	SLEEVE		1	1,11
8	537086701	BUSHING		1	1,11
9	503859601	STARTER PULLEY		1	1
10	503787201	RECOIL SPRING		1	1
11	537168471	STARTER HOUSING		1	1
12	537001301	AIR CONDUCTOR		1	
13	537168901	LABEL		1	
13	537168905	LABEL		1	
14	537168902	LABEL		1	



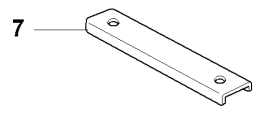
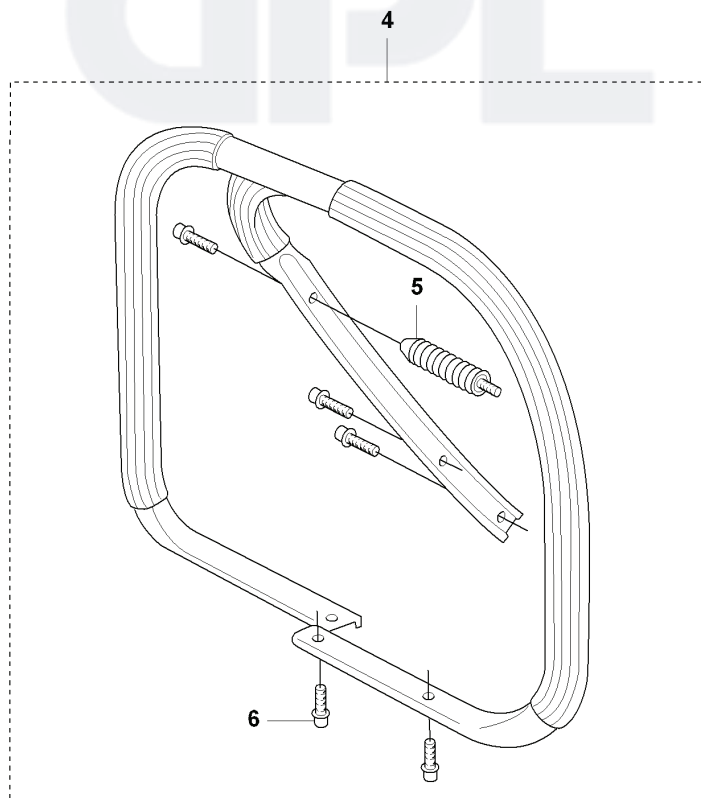
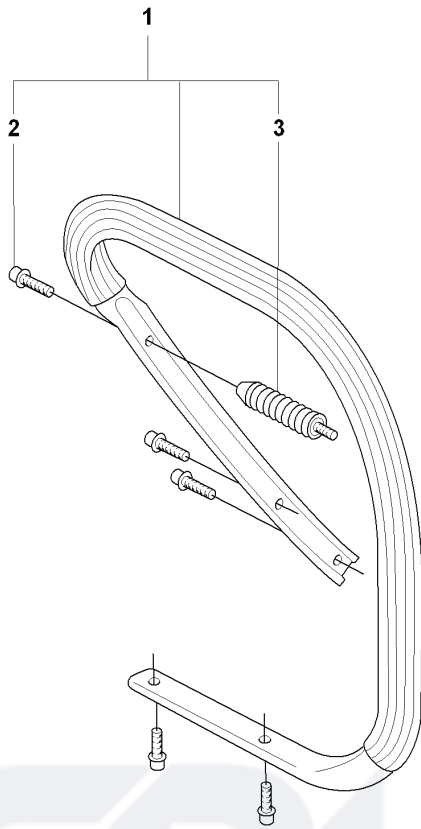
H CS2186, CS2188
HANDLE COMP



REF.	PART NO.	DESCRIPTION	REMARK	QTY.	KIT
1	537000372	FUEL TANK		1	
2	720127220	PARALLEL PIN		1	1
3	503829802	THROTTLE TRIGGER		1	1
4	503736401	SPRING		1	1
5	720124020	PARALLEL PIN		1	1
6	503717601	THROTTLE CABLE ASSY		1	1
7	544324906	FUEL HOSE		1	1
8	537092201	TANK VENT ASSY		1	1
9	537099301	CONNECTION BEND		1	1
10	503218820	SCREW IHSCT		1	1
11	537008802	COVER		1	1
12	537033402	HANDLE INSERT		1	
13	537017901	INSULATOR		1	
14	537033402	HANDLE INSERT		1	
15	537017901	INSULATOR		1	
16	537215001	SEALING		1	18
17	503578901	HOLDER		1	18
18	537215201	TANK CAP ASSY		1	
19	537017501	INSULATOR		1	
20	503443201	FUEL FILTER		1	
21	544325002	FUEL HOSE		1	
22	503556602	THROTTLE LOCKOUT		1	1



K CS2186, CS2188
HANDLE ASSY



REF.	PART NO.	DESCRIPTION	REMARK	QTY.	KIT
1	537167871	FRONT HANDLE ASSY		1	
1	537167872	FRONT HANDLE ASSY		1	
2	503218820	SCREW IHSCT		5	1
3	503528702	INSULATOR		1	1
4	537167901	FRONT HANDLE ASSY		1	
5	503528702	INSULATOR		1	4
6	503218820	SCREW IHSCT		5	4
7	537037301	REINFORCING PLATE		1	

