

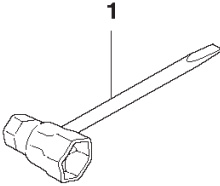


# SPARE PARTS LIST

CHAIN SAWS<sup>®</sup>

CS2238, 2014-05

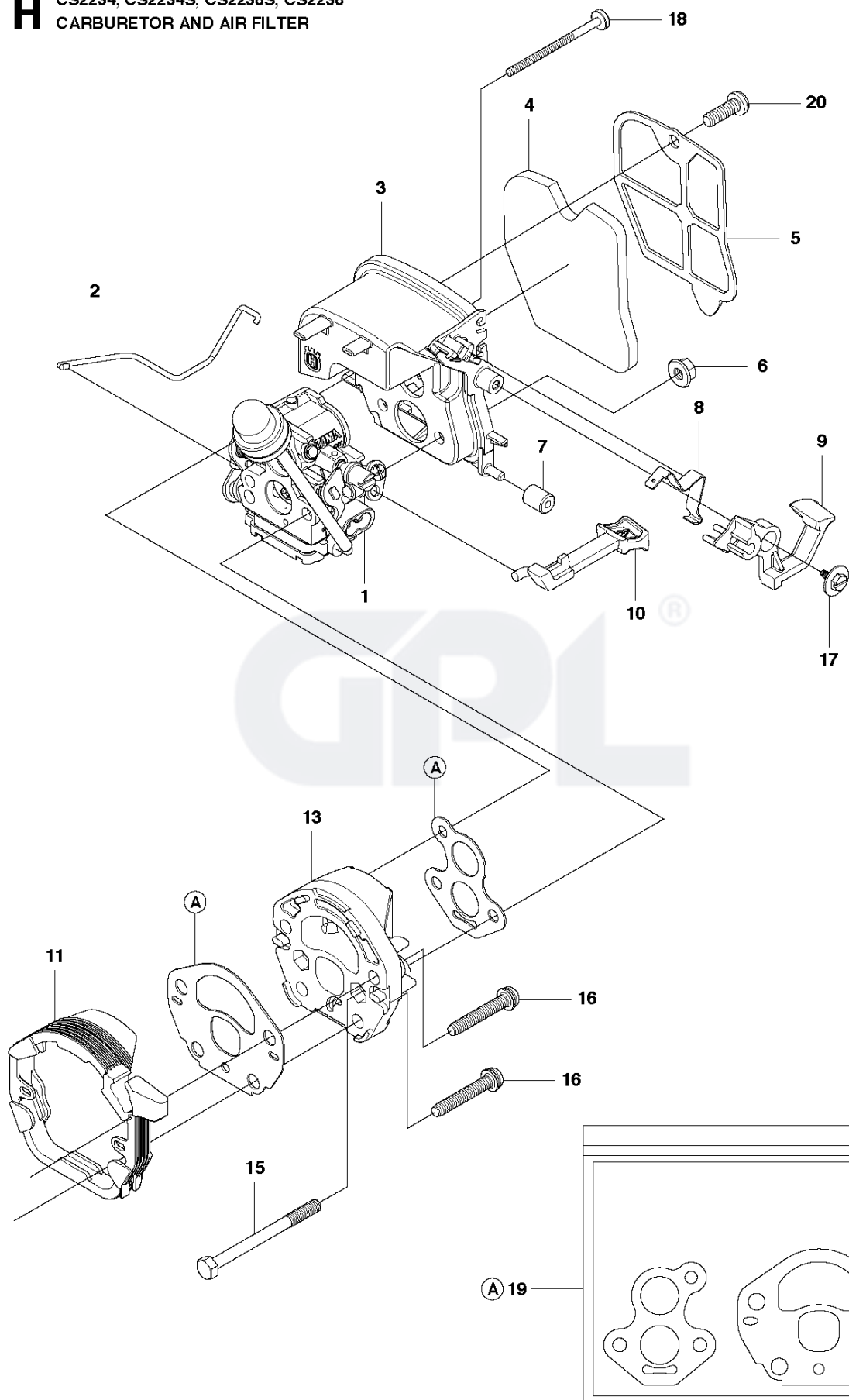
**P** CS2234, CS2234S, CS2238S, CS2238  
ACCESSORIES



Ref	Part No	Description	Remark	QTY KIT
1	530 03 11-35	WRENCH		1

GPL<sup>®</sup>

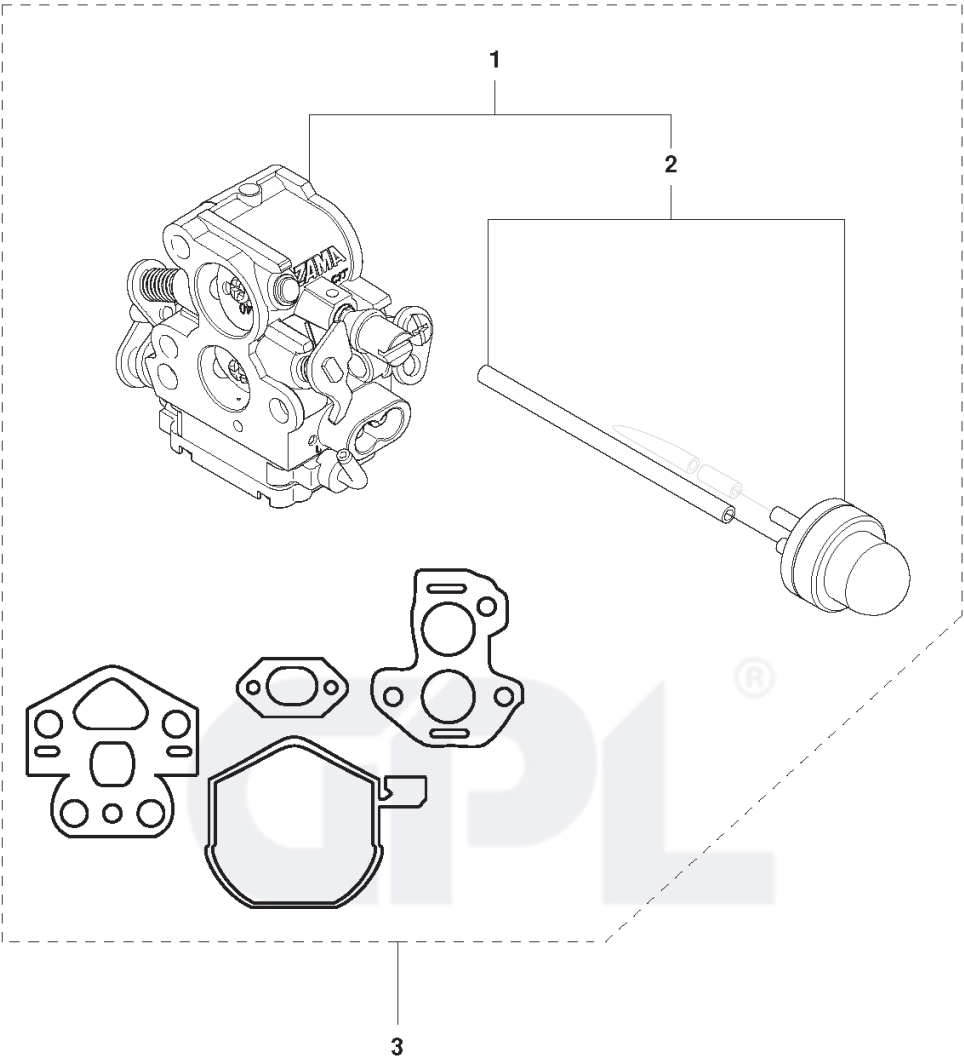
**H** CS2234, CS2234S, CS2238S, CS2238  
CARBURETOR AND AIR FILTER



Ref	Part No	Description	Remark	QTY KIT
1	574 71 94-02	CARBURETTOR		1
2	545 06 28-01	THROTTLE WIRE		1
3	575 49 34-01	AIR FILTER		1
4	545 06 18-01	AIR FILTER		1
5	545 15 18-01	FILTER PLATE		1
6	530 01 61-01	NUT		2
7	545 06 19-01	ISOLATOR FILTER HOUSING		1
8	545 06 34-01	SWITCH. SPRING		1
9	545 06 17-01	SWITCH LEVER		1
10	545 06 16-01	CHOKE KNOB		1
11	545 06 15-01	CARB ADAPTOR SEAL		1
13	577 63 65-01	ADAPTOR		1
15	545 03 37-01	STUD-CARBURETOR		2
16	545 15 83-01	CARB ADAPTOR SCREW		4
17	530 01 60-80	SCREW		1
18	545 07 49-01	TOP STUD-CARBURETOR		1
19	545 08 18-92	GASKET KIT		1
20	530 01 63-49	SCREW		1



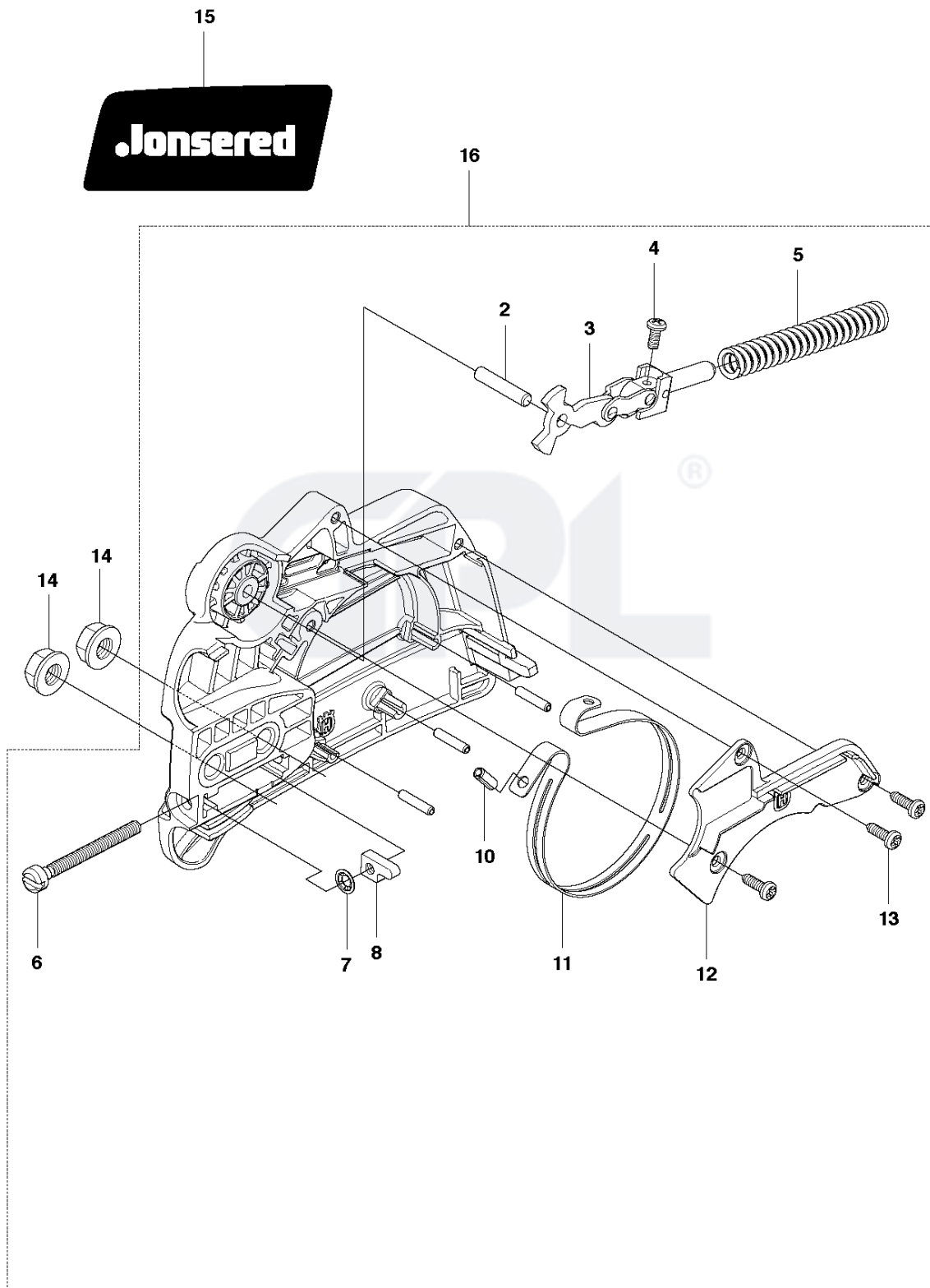
**N** CS2234, CS2234S, CS2238S, CS2238  
CARBURETOR DETAILS



Ref	Part No	Description	Remark	QTY	KIT
1	574 71 94-02	CARBURETTOR		1	
2	545 00 80-30	PURGE AND LINE ASSEMBLY		1	1
3	545 00 80-32	KIT		1	



**B** CS2238, CS2234  
CHAIN BRAKE ASSY

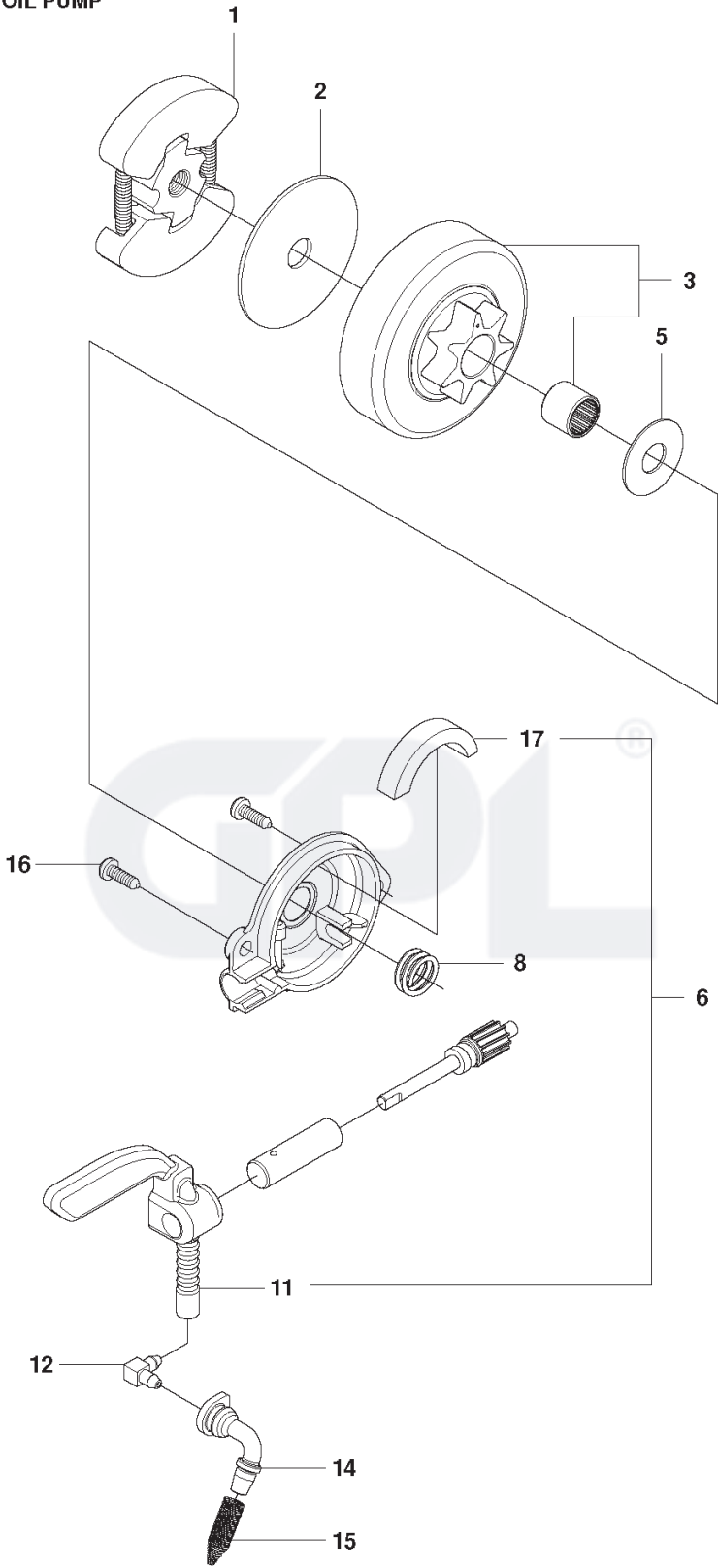




Ref	Part No	Description	Remark	QTY	KIT
2	530 05 79-50	PIN. DOWEL		1	16
3	530 05 79-40	ASSY. FRONT LINK		1	16
4	574 78 03-01	SCREW		1	16
5	530 01 64-15	SPRING COMPRESSION		1	16
6	530 01 61-10	SCREW		1	16
7	530 03 85-93	RETAINER		1	16
8	530 01 58-26	PIN		1	16
10	530 01 59-13	PIN		1	16
11	530 05 79-23	BRAKE BAND		1	16
12	545 07 10-02	COVER		1	16
13	545 22 71-01	SCREW		3	16
14	530 01 59-17	NUT		2	
15	545 16 60-01	DECAL		1	
16	525 61 15-01	CHAIN BRAKE		1	



**C** CS2234, CS2234S, CS2238S, CS2238  
CLUTCH AND OIL PUMP



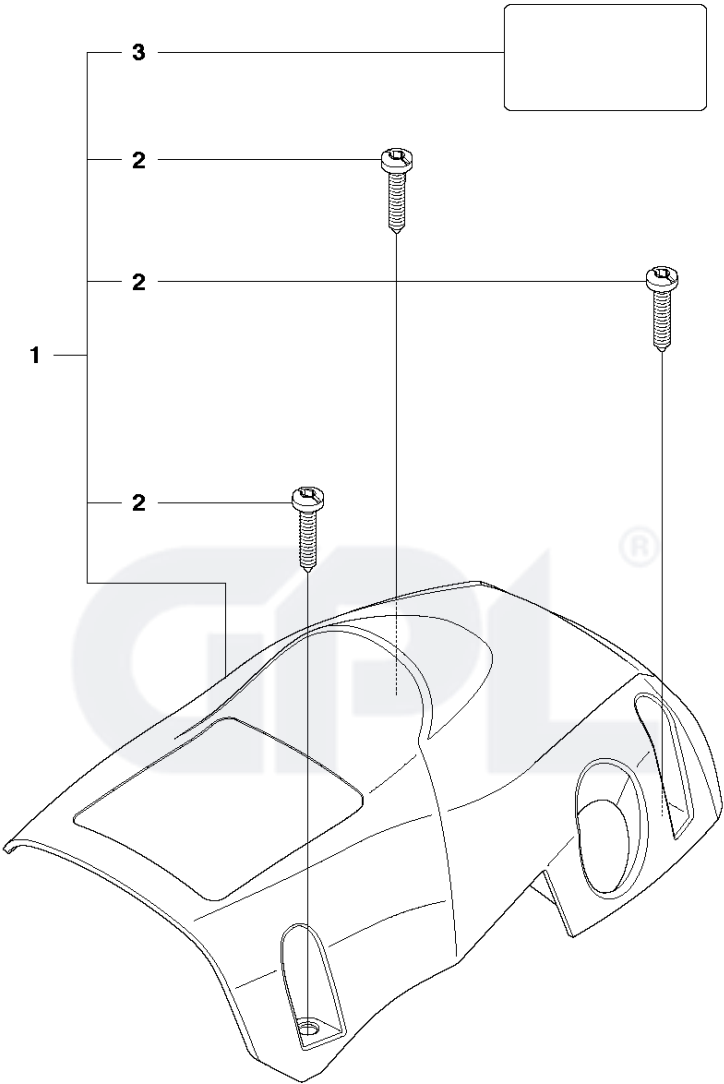
## CLUTCH &amp; OIL PUMP

CS2238, 2014-05

Ref	Part No	Description	Remark	QTY	KIT
1	530 01 49-49	CLUTCH		1	
2	530 01 56-11	WASHER		1	
3	530 04 70-61	CLUTCH DRUM	3/8 6-Tooth	1	
3	530 04 81-32	CLUTCH DRUM	.325 7-tooth	1	
5	530 01 59-07	WASHER		1	
6	581 06 39-01	OIL PUMP ASSY		1	
8	530 03 78-20	PINION		1	
11	545 22 75-01	BLOCK		1	6
12	530 04 94-77	ELBOW		1	
14	545 06 94-01	SEAL		1	
15	530 05 65-33	SCREEN		1	
16	545 22 71-01	SCREW		1	2
17	525 31 84-01	DUST SEAL		1	6

The logo for GPL (Grip Power Limited) is displayed in a large, light gray font. The letters 'G', 'P', and 'L' are stylized and interconnected. A registered trademark symbol (®) is located to the upper right of the 'L'.

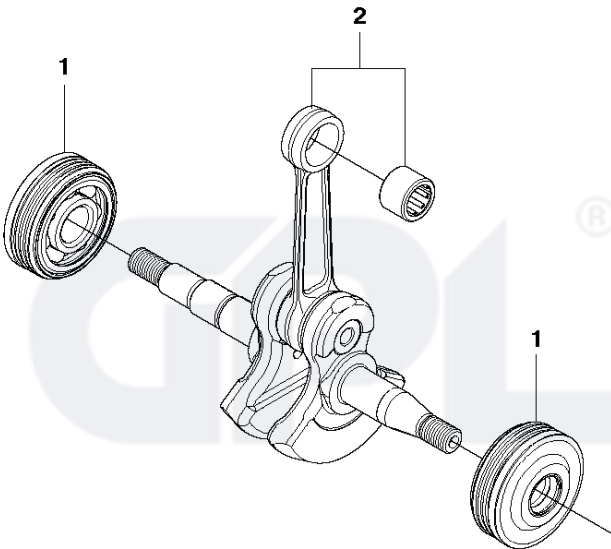
**D** CS2234, CS2234S, CS2238S, CS2238  
COVER



Ref	Part No	Description	Remark	QTY	KIT
1	575 53 10-01	SHIELD		1	
2	574 32 06-01	SCREW		3	1
3	545 16 59-57	WARNING SIGN		1	

GPL<sup>®</sup>

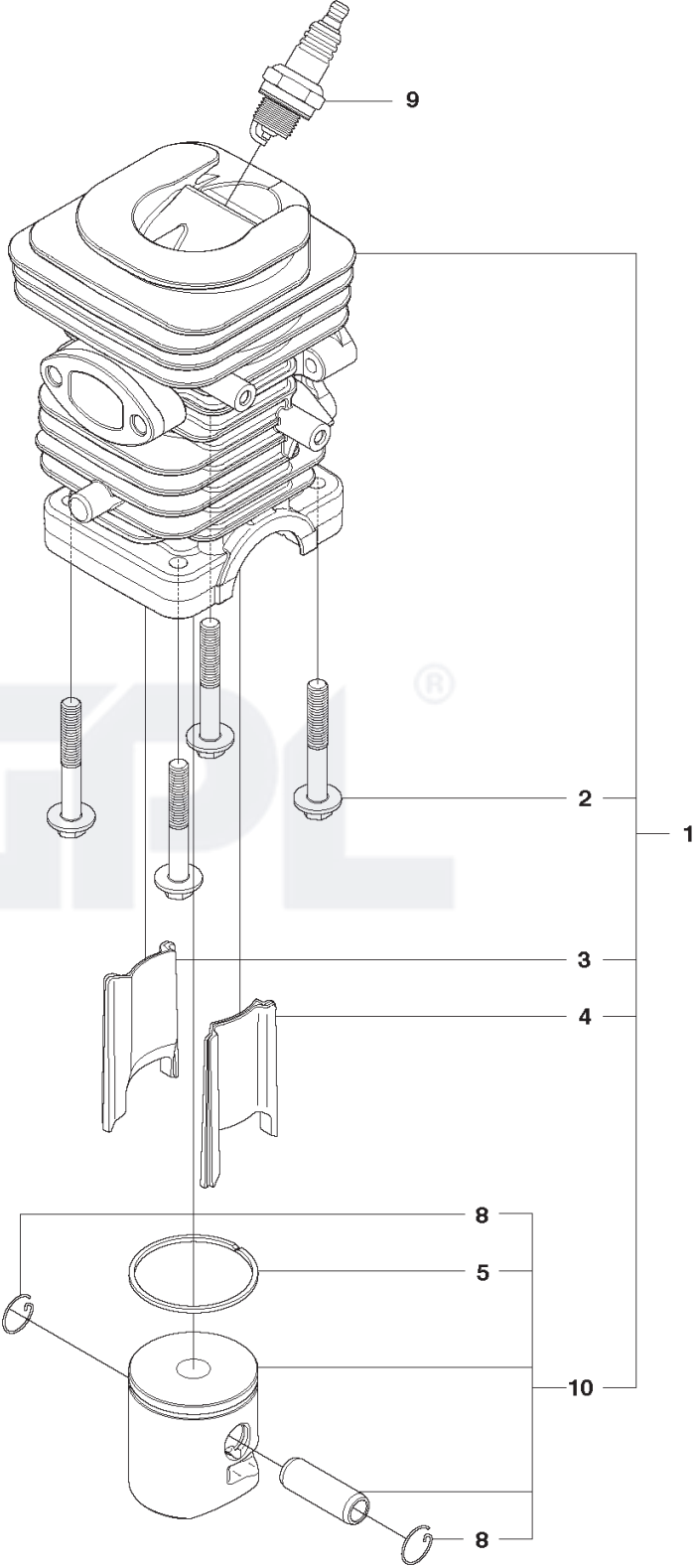
**K** CS2234, CS2234S, CS2238S, CS2238  
CRANKSHAFT



Ref	Part No	Description	Remark	QTY KIT
1	576 24 39-01	ASSEMBLY		2
2	580 30 26-01	CRANKSHAFT		1

GPL<sup>®</sup>

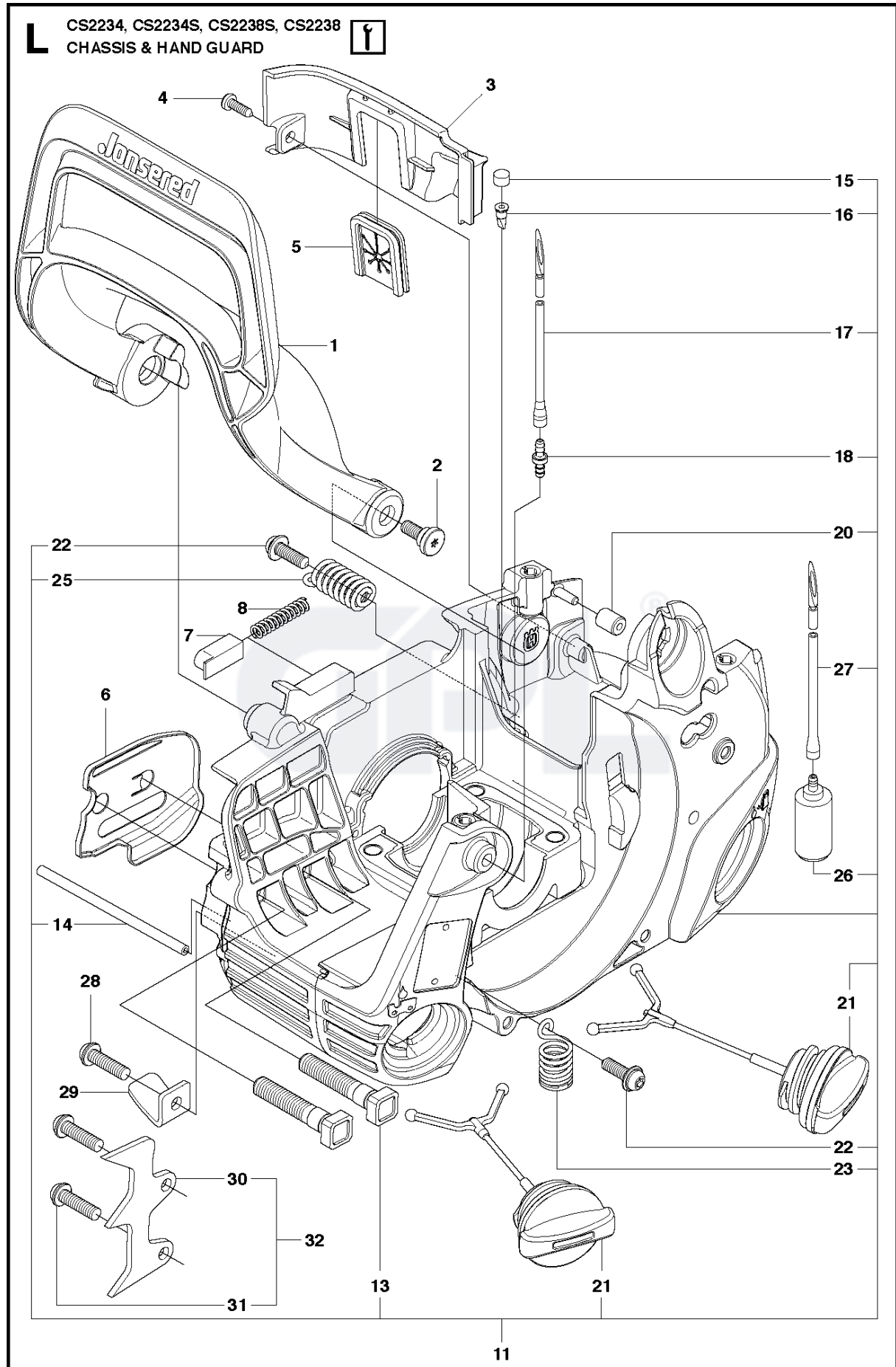
**J2** CS2238S, CS2238  
CYLINDER PISTON 38CC





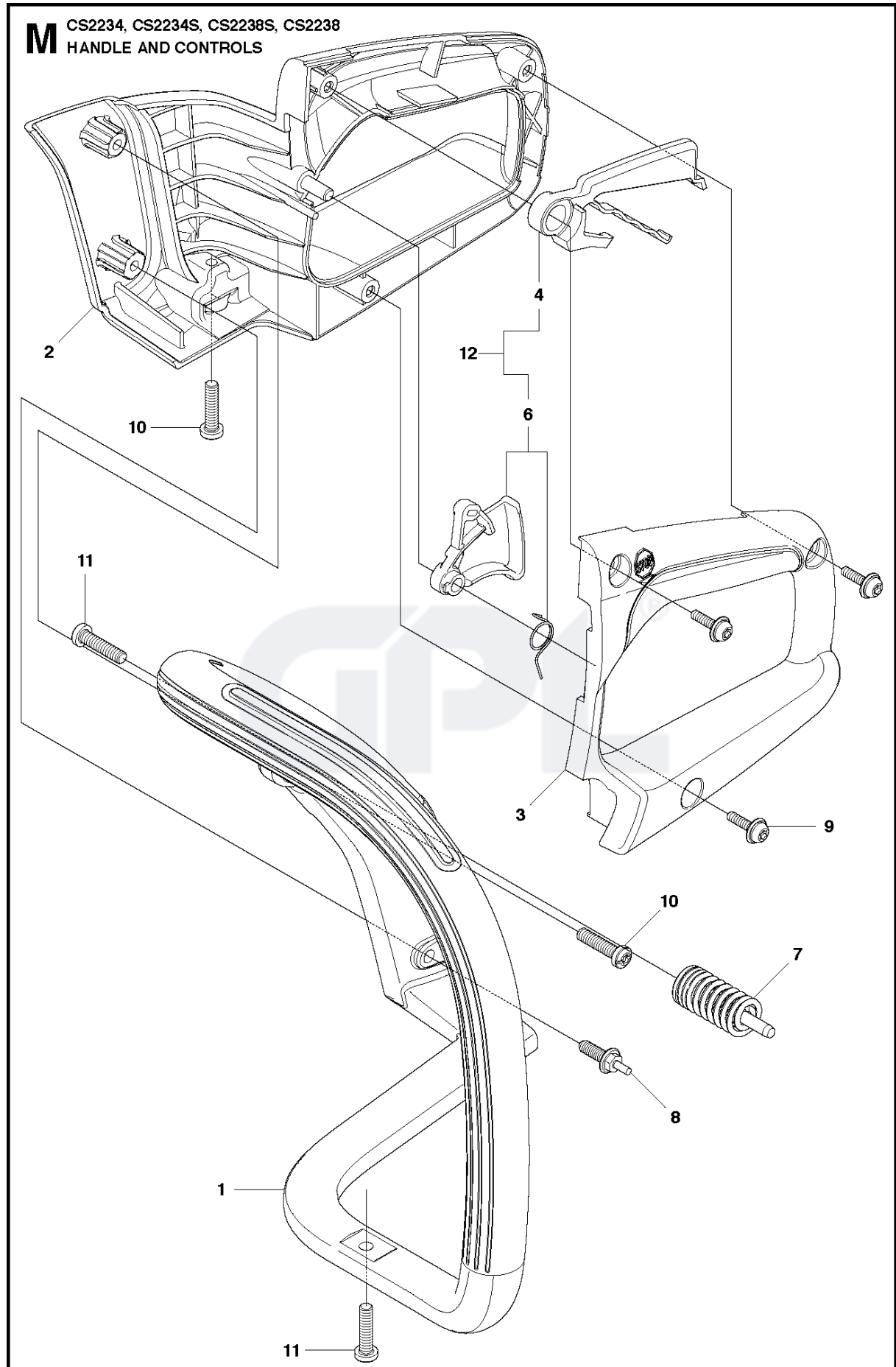
Ref	Part No	Description	Remark	QTY	KIT
1	545 05 04-17	KIT		1	
2	545 08 15-01	BOLT		4	1
3	574 19 09-01	INSERT		1	1
4	574 19 08-01	INSERT		1	1
5	530 01 26-08	PISTON RING		1	10,1
8	530 01 56-97	LOCKING RING		2	10,1
9	503 23 51-08	SPARK PLUG		1	
10	545 08 18-94	KIT		1	1





Ref	Part No	Description	Remark	QTY	KIT
1	574 41 71-01	HAND GUARD		1	
2	545 12 73-01	BOSS SCREW. HANDGUARD		1	
3	545 06 12-02	WALL		1	
4	545 22 71-01	SCREW		1	
5	545 07 54-01	GROMMET		1	
6	545 07 14-01	PLATE BAR MOUNTING		1	
7	545 07 13-01	CAP. SPRING HANDGUARD		1	
8	545 07 12-01	SPRING. HANDGUARD POSITION		1	
11	579 66 53-01	CHASSIS		1	
13	529 31 03-01	BOLT		2	11
14	545 03 35-01	HOSE		1	11
15	530 02 98-68	PLUG		1	11
16	530 02 61-19	CHECK VALVE		1	11
17	530 02 10-25	HOSE		1	11
18	530 02 38-77	NIPPLE		1	11
20	545 06 19-01	ISOLATOR FILTER HOUSING		1	11
21	544 11 12-02	TANK CAP ASSY		2	11
22	530 01 59-06	SCREW		2	11
23	545 03 38-01	ASS Y FRONT ISOLATOR		1	11
25	545 06 31-01	REAR ISOLATOR SPRING		1	11
26	577 16 72-01	ASSEMBLY		1	11
27	580 63 23-17	LINE		1	11
28	530 01 58-14	SCREW		1	
29	530 02 98-50	CHAIN CATCHER		2	
30	530 03 89-90	FELLING DOG		1	32
31	530 01 64-39	SCREW		2	32
32	530 01 43-81	FELLING DOG		1	

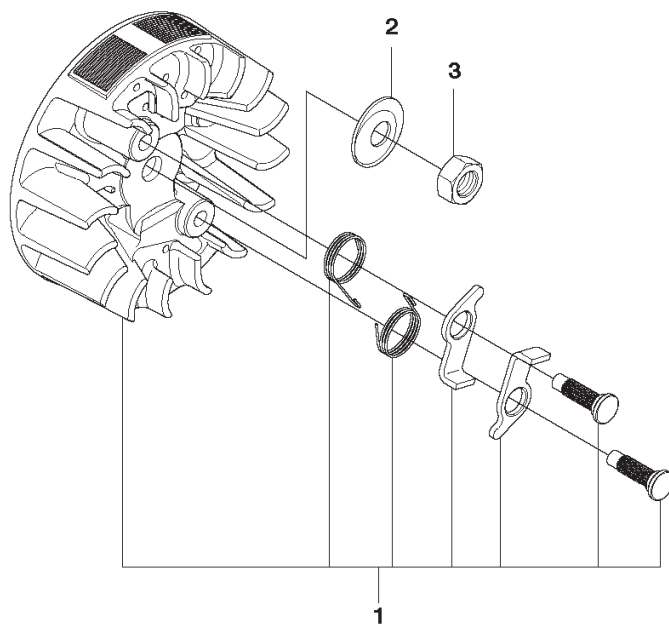
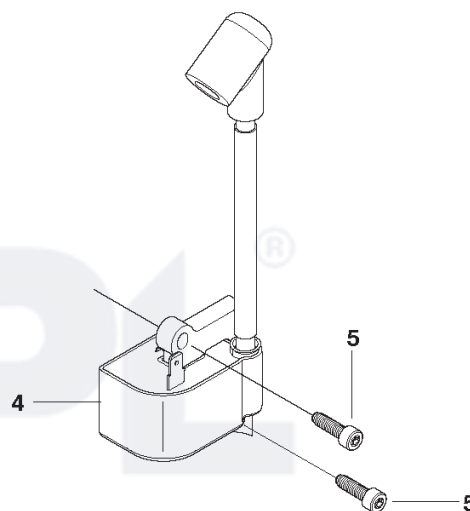
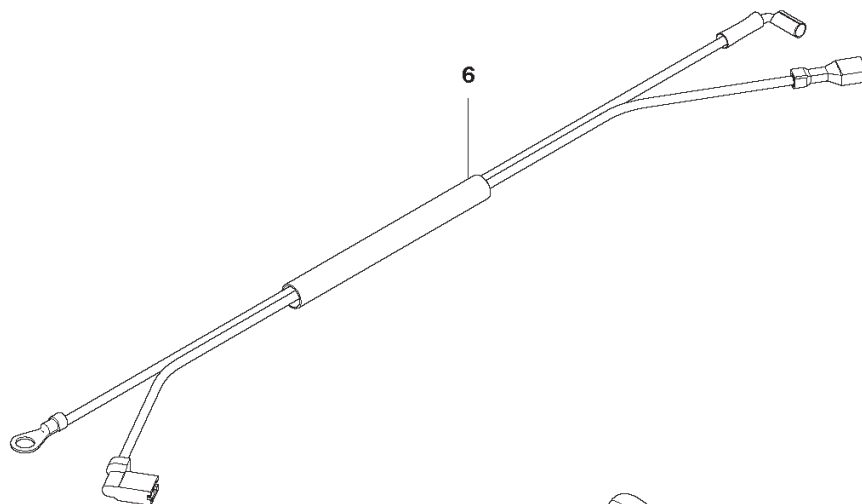




Ref	Part No	Description	Remark	QTY	KIT
1	545 16 11-01	FRONT HANDLE		1	
2	545 06 22-04	REAR HANDLE		1	
3	545 06 22-03	HANDLE REAR		1	
4	545 06 26-02	THROTTLE LOCKOUT		1	12
6	545 12 15-02	TRIGGER		1	12
7	545 03 39-01	ISOLATOR		1	
8	545 07 63-01	ISOLATION LIMITER SCREW		1	
9	530 01 64-33	SCREW		3	
10	530 01 63-49	SCREW		2	
11	530 01 64-32	SCREW		2	
12	545 18 08-14	TRIGGER THROTTLE CONTROL		1	



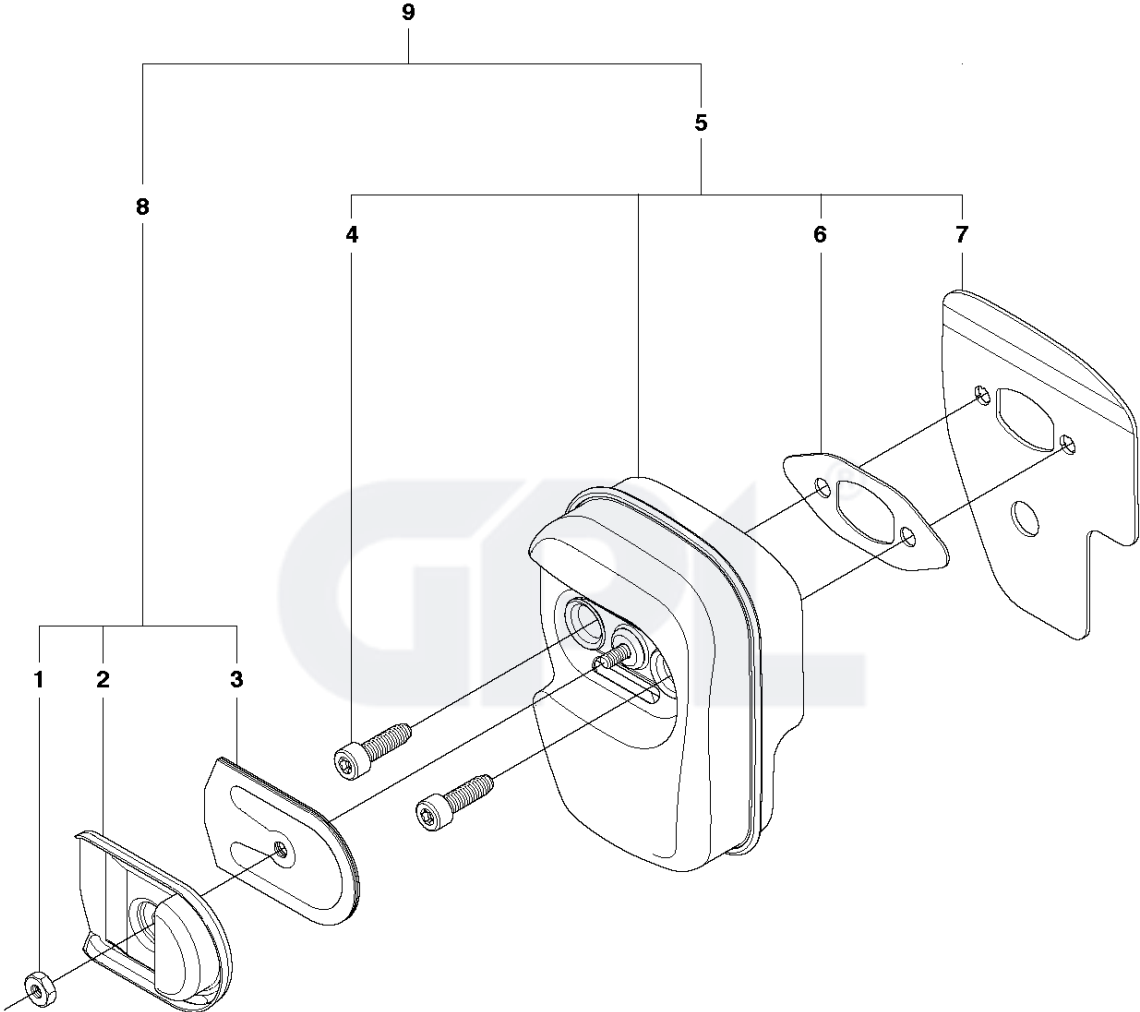
**F** CS2234, CS2234S, CS2238S, CS2238  
IGNITION SYSTEM



Ref	Part No	Description	Remark	QTY KIT
1	575 63 55-02	FLYWHEEL		1
2	530 01 51-27	WASHER		1
3	530 01 61-34	NUT		1
4	545 19 99-01	IGNITION MODULE		1
5	545 12 19-01	SCREW		2
6	545 07 99-01	ASSY- WIRE HARNESS		1



**G** CS2234, CS2234S, CS2238S, CS2238  
MUFFLER





## MUFFLER

CS2238, 2014-05

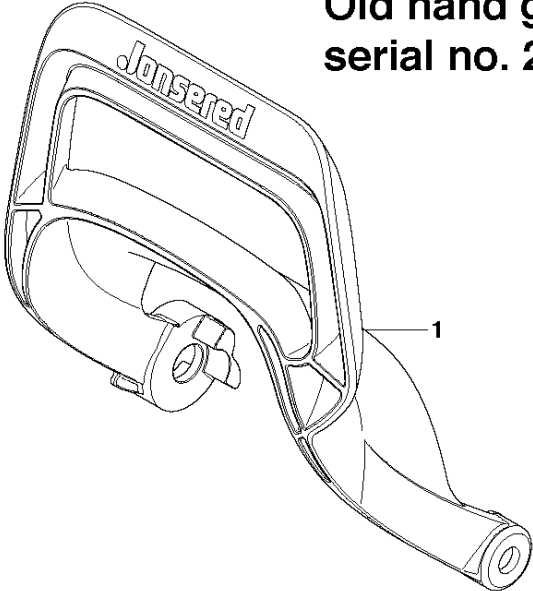
Ref	Part No	Description	Remark	QTY	KIT
1	574 26 64-01	NUT		1	8,9
2	545 07 69-01	EXHAUST PLATE		1	8,9
3	545 16 74-01	SCREEN		1	8,9
4	530 01 63-38	BOLT		2	5,9
5	586 09 43-01	MUFFLER		1	9
6	530 05 48-84	MUFFLER GASKET		1	5,9
7	545 06 69-01	MUFFLER BACK PLATE		1	5,9
8	545 00 80-27	KIT		1	9
9	545 18 08-43	MUFFLER		1	

The logo for GPL (Grip Power Line) is displayed in a large, light gray font. It consists of the letters 'GPL' in a bold, sans-serif typeface. A registered trademark symbol (®) is located to the upper right of the letter 'L'.

**Q** CS2234, CS2234S, CS2238S, CS2238  
SERVICE UPDATE



**Old hand guard up to  
serial no. 20094299999**

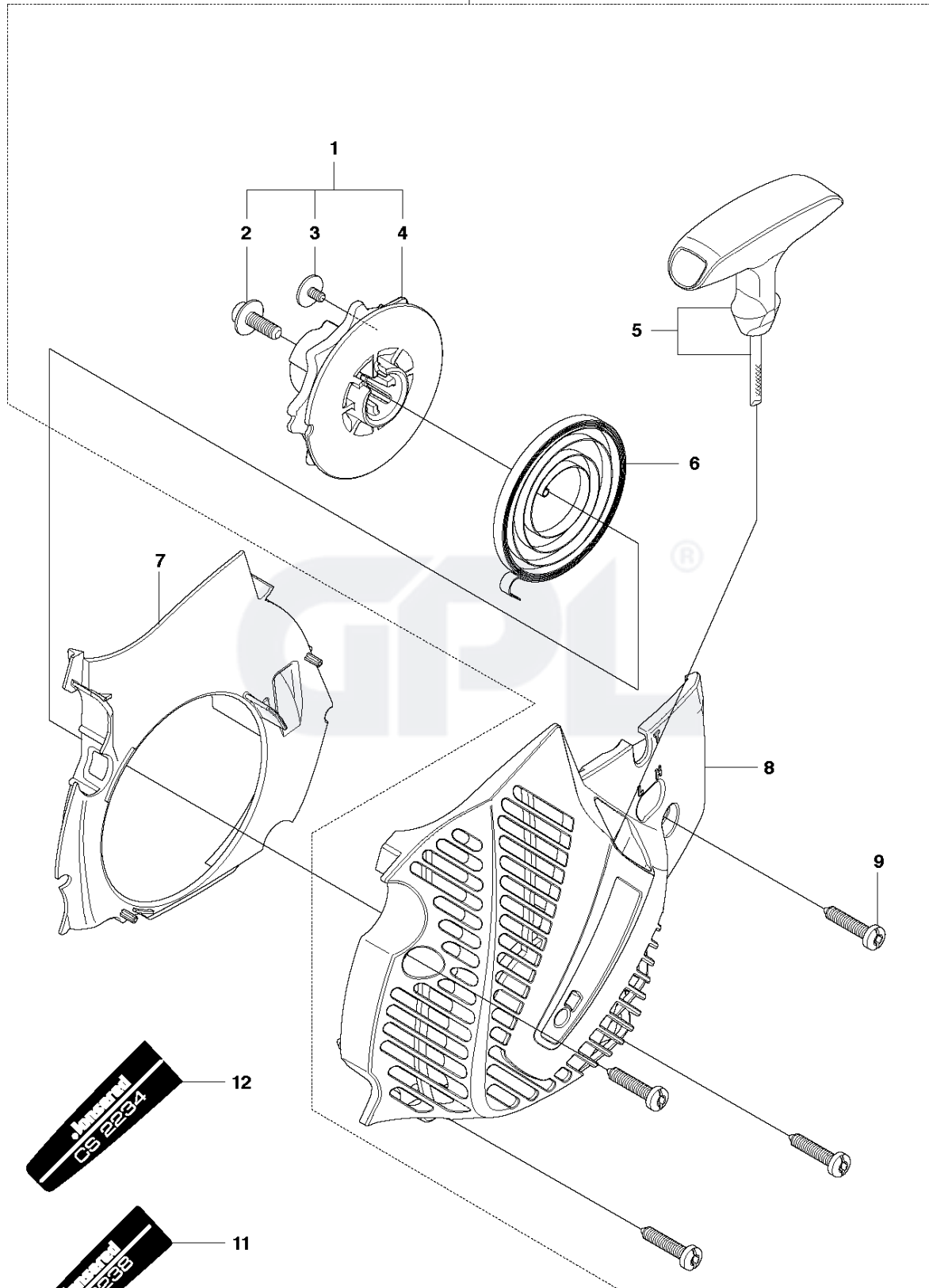


Ref	Part No	Description	Remark	QTY KIT
1	545 16 15-01	HAND GUARD		1



**E2** CS2234, CS2238  
STANDARD STARTER

10



Ref	Part No	Description	Remark	QTY KIT	
1	545 00 80-28	KIT			
2	530 01 59-20	SCREW		1	1,10
3	530 01 60-80	SCREW		1	1,10
4	530 05 78-90	STARTER PULLEY		1	1,10
5	545 01 00-12	HANDLE KIT		1	10
6	530 04 20-95	SPRING		1	10
7	545 16 13-01	BAFFLE		1	
8	545 16 12-01	FAN HOUSING		1	10
9	530 01 64-32	SCREW		4	10
10	545 18 08-13	STARTER ASSY			
11	545 16 59-83	DECAL		1	
12	545 16 59-01	DECAL		1	

The image shows the logo for GPL, consisting of the letters 'GPL' in a large, bold, sans-serif font. A registered trademark symbol (®) is located to the upper right of the 'L'. The logo is rendered in a light gray color.